

# Homelite®

25cc STRING TRIMMERS

## REPAIR SHEET

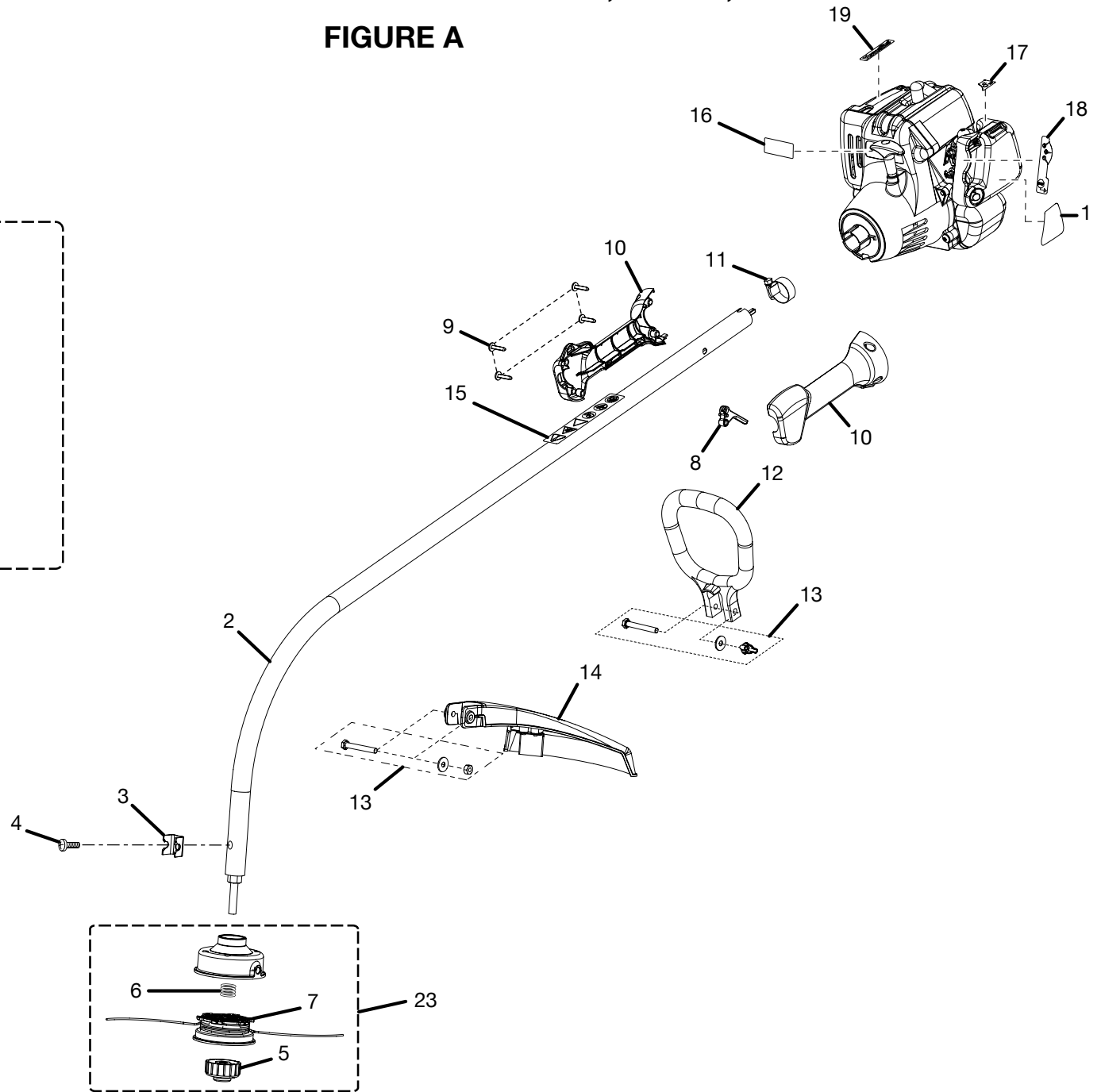
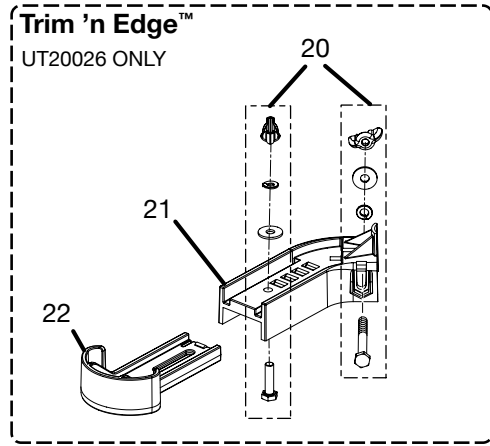
TrimLite™ – UT20006

Trim 'n Edge™ – UT20026

EZ Reach™ – UT20046

HOMELITE 25cc STRING TRIMMER – MODEL NOS. UT20006, UT20026, AND UT20046

FIGURE A



**REPLACEMENT PARTS  
FIGURE A**

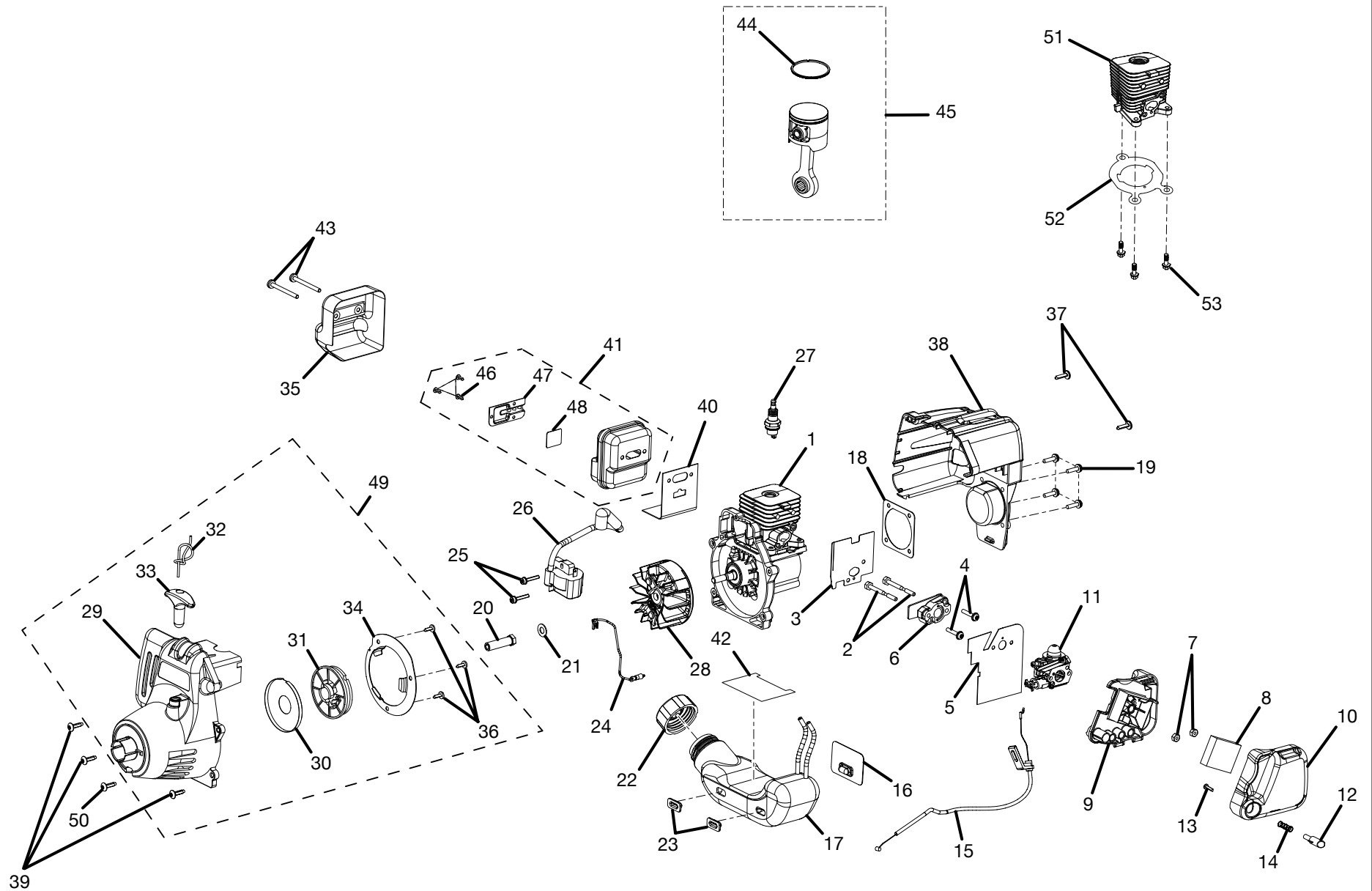
**PARTS LIST**

KEY NO.	PART NUMBER	DESCRIPTION	QTY.	KEY NO.	PART NUMBER	DESCRIPTION	QTY.
1	940299605	STARTING INSTRUCTION DECAL .....	1	14	308052001	GRASS DEFLECTOR ASSEMBLY (UT20006 AND UT20026) .....	1
2	000998229	CURVED SHAFT ASSEMBLY (INC. KEY NO. 16) (Trimlite™ & Trim 'n Edge™ ONLY) .....	1		308454001	GRASS SHIELD ASSEMBLY (UT20046) .....	1
3	638001001	CLAMP (Trimlite™ & Trim 'n Edge™ ONLY).....	1	15	940230129	DECAL, WARNING/STARTING BOOM .....	1
4	660647001	* SCREW (10-32 x 3/8 in.) (Trimlite™ & Trim 'n Edge™ ONLY) .....	1	16	940054123	DECAL, TRIMLITE LOGO .....	1
5	308042002	SPOOL RETAINER (RH) (Trimlite™ & Trim 'n Edge™ ONLY) .....	1		940054122	DECAL, TRIM 'N EDGE	
6	678022001	COMPRESSION SPRING .....	1		940054121	DECAL, EASY REACH	
7	308044002	SPOOL W/LINE.....	1	17	940299602	DECAL, PRIMER .....	1
8	518327001	TRIGGER .....	1	18	940299606	DECAL, CHOKE.....	1
9	660674001	* SCREW (10-14 x 7/8 in. TRUSS HD.) .....	4	19	940299603	DECAL, HOMELITE .....	1
10	000998227	HANDLE GRIP ASSEMBLY .....	1	20	120642001	FASTENER PARTS KIT (Trim 'n Edge™ ONLY)...	1
11	638012002	BOOM CLAMP .....	1	21	518014001	EDGER BASE (Trim 'n Edge™ ONLY) .....	1
12	518030001	FRONT HANDLE.....	1	22	518015001	EDGER GUIDE (Trim 'n Edge™ ONLY).....	1
13	120650001	FASTENER PARTS KIT .....	1	23	000998230	COMPLETE STRING HEAD (.080 in.) (INC. KEY NOS. 5, 6, AND 7).....	1

\* STANDARD HARDWARE ITEM – MAY BE PURCHASED LOCALLY

HOMELITE 25cc STRING TRIMMER – MODEL NOS. UT20006, UT20026, AND UT20046

FIGURE B



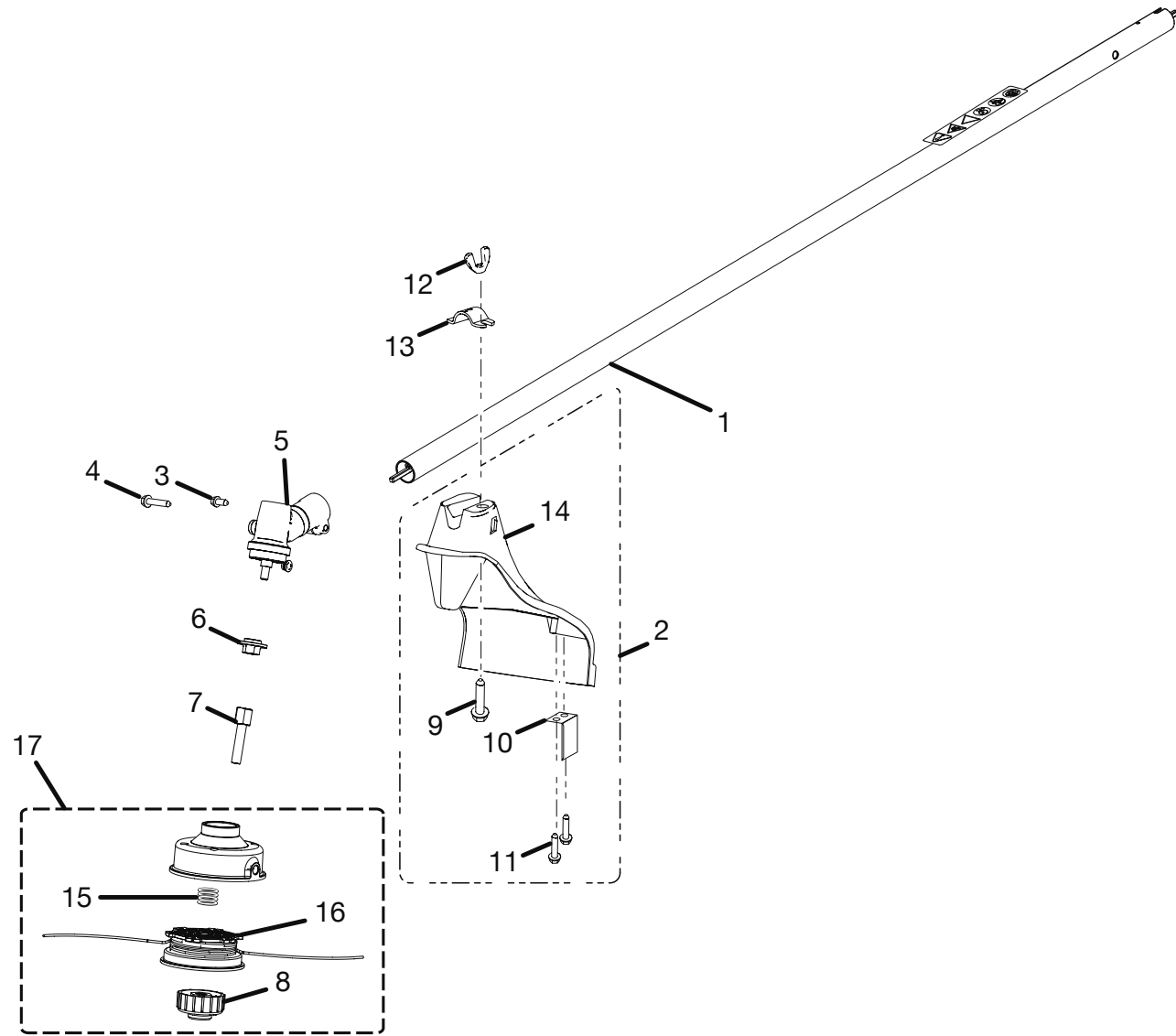
**HOMELITE 25cc STRING TRIMMER – MODEL NOS. UT20006, UT20026, AND UT20046**

**REPLACEMENT PARTS – FIGURE B**

<b>KEY NO.</b>	<b>PART NUMBER</b>	<b>DESCRIPTION</b>	<b>QTY.</b>	<b>KEY NO.</b>	<b>PART NUMBER</b>	<b>DESCRIPTION</b>	<b>QTY.</b>
1	308455001	SHORT BLOCK ASSEMBLY (EXTERNAL GASKETS NOT INCLUDED).....	1	29	300753003	STARTER HOUSING ASSEMBLY.....	1
2	660661001	CARBURETOR BOLTS.....	2	30	638033001	SPRING AND CONTAINER.....	1
3	900994008	INTAKE GASKET.....	1	31	518098001	STARTER PULLEY.....	1
4	660662001	* SCREW (10-24 X 1-1/16 in. PAN HD.).....	2	32	900849002	STARTER ROPE.....	1
5	900740001	CARBURETOR GASKET.....	1	33	511731001	STARTER GRIP.....	1
6	518070001	HEAT DAM.....	1	34	638032001	BAFFLE.....	1
7	678027001	* LOCK NUT (10-24).....	2	35	638094001	HEAT SHIELD.....	1
8	900952001	AIR FILTER.....	1	36	660694001	* SCREW (8-16 X 1/2 in. THREAD FORMING).....	3
9	518094001	AIR FILTER BOX.....	1	37	660629001	* SCREW (10-14 X 3/4 in. THREAD FORMING).....	2
10	518096001	AIR BOX COVER.....	1	38	518106001	REAR HOUSING.....	1
11	308054003	CABURETOR ASSEMBLY.....	1	39	660630002	* SCREW (10-24 X 3/4 in. TRUSS HD.).....	3
12	518105001	BUTTON SWITCH.....	1	40	900994006	MUFFLER GASKET.....	1
13	T660619001	SCREW, (6-19 X 1/2 in. T.F.).....	1	41	308092008	CATALYTIC MUFFLER ASSEMBLY (INCL. KEY NO. 50 THRU 52).....	1
14	678032002	COMPRESSION SPRING.....	1	42	900999002	GASKET.....	1
15	308055002	THROTTLE CABLE W/HANGER.....	1	43	660638003	* SCREW (10-24 X 2-3/16 in. TORX HD. ).....	2
16	570549001	BUMPER.....	1	44	678138003	PISTON RING.....	1
17	308181004	FUEL TANK (INC. KEY NO. 22).....	1	45	308457001	PISTON ASSEMBLY (INCLUDES KEY NO. 44).....	1
18	900954001	CRANK CASE COVER GASKET.....	1	46	660870001	* SCREW (6-20 X 1/4 in. PAN HD.).....	3
19	660638004	* SCREW (10-24 X 3/4 in. PAN HD. TORX W/LW).....	4	47	638044001	OUTLET TUBE.....	1
20	638092001	DRIVE CONNECTOR.....	1	48	638268001	SCREEN.....	1
21	631049001	FLAT WASHER.....	1	49	300753005	COMPLETE STARTER ASSEMBLY.....	1
22	300758006	FUEL CAP ASSEMBLY.....	1	50	660616001	* SCREW (10-24 X 7/8 in. TORX HD.).....	1
23	570256001	BUMPER.....	2	51	640070002	CYLINDER.....	1
24	290218001	LEAD W/TERMINALS.....	1	52	900953001	CYLINDER GASKET.....	1
25	660660001	* SCREW (8-32 X 1 in. THREAD FORMING).....	2	53	660342002	SCREW (M5 X 20 mm).....	3
26	308064001	IGNITION MODULE.....	1		983000857	OPERATOR'S MANUAL	
27	870170001	SPARK PLUG (CHAMPION RCJ4).....	1		983000857R	REPAIR SHEET (REV:03)	
28	300952002	ROTOR AND PAWL ASSEMBLY.....	1		05-03-06		

\* STANDARD HARDWARE ITEM – MAY BE PURCHASED LOCALLY

FIGURE C



**REPLACEMENT PARTS  
FIGURE C**

**PARTS LIST**

KEY NO.	PART NUMBER	DESCRIPTION	QTY.
1	000998228	STRAIGHT SHAFT ASSEMBLY (INC. LABEL) .....	1
2	308454001	GRASS SHIELD ASSEMBLY (INC. HARDWARE) .....	1
3	660641001	* SCREW (10-24 x 5/8 in.) .....	1
4	660642001	* SCREW (1/4-20 x 1-1/4 in.).....	1
5	308053004	GEAR HEAD.....	1
6	678011002	WASHER.....	1
7	678019002	SHAFT ADAPTER .....	1
8	308042003	SPOOL RETAINER (LH) .....	1
9	660857001	SCREW, SQUARE HEAD .....	1
10	638020001	CUT OFF BLADE .....	1
11	660675001	SCREW .....	2
12	678246001	WING NUT .....	1
13	638225001	SHIELD CLAMP .....	1
14	518328001	GRASS SHIELD .....	1
15	678022001	SPRING.....	1
16	308044002	SPOOL & STRING (.080 in.).....	1
17	000998230	COMPLETE STRING HEAD (.080 in.) (INC. KEY NOS. 8, 15, AND 16) .....	1

\* STANDARD HARDWARE ITEM – MAY BE PURCHASED LOCALLY

Homelite Parts

**HOMELITE CONSUMER PRODUCTS, INC.**

1428 Pearman Dairy Road, Anderson, SC 29625

Post Office Box 1207, Anderson, SC 29622

Phone 1-800-chainsa (1-800-242-4672)

[www.homelite.com](http://www.homelite.com)