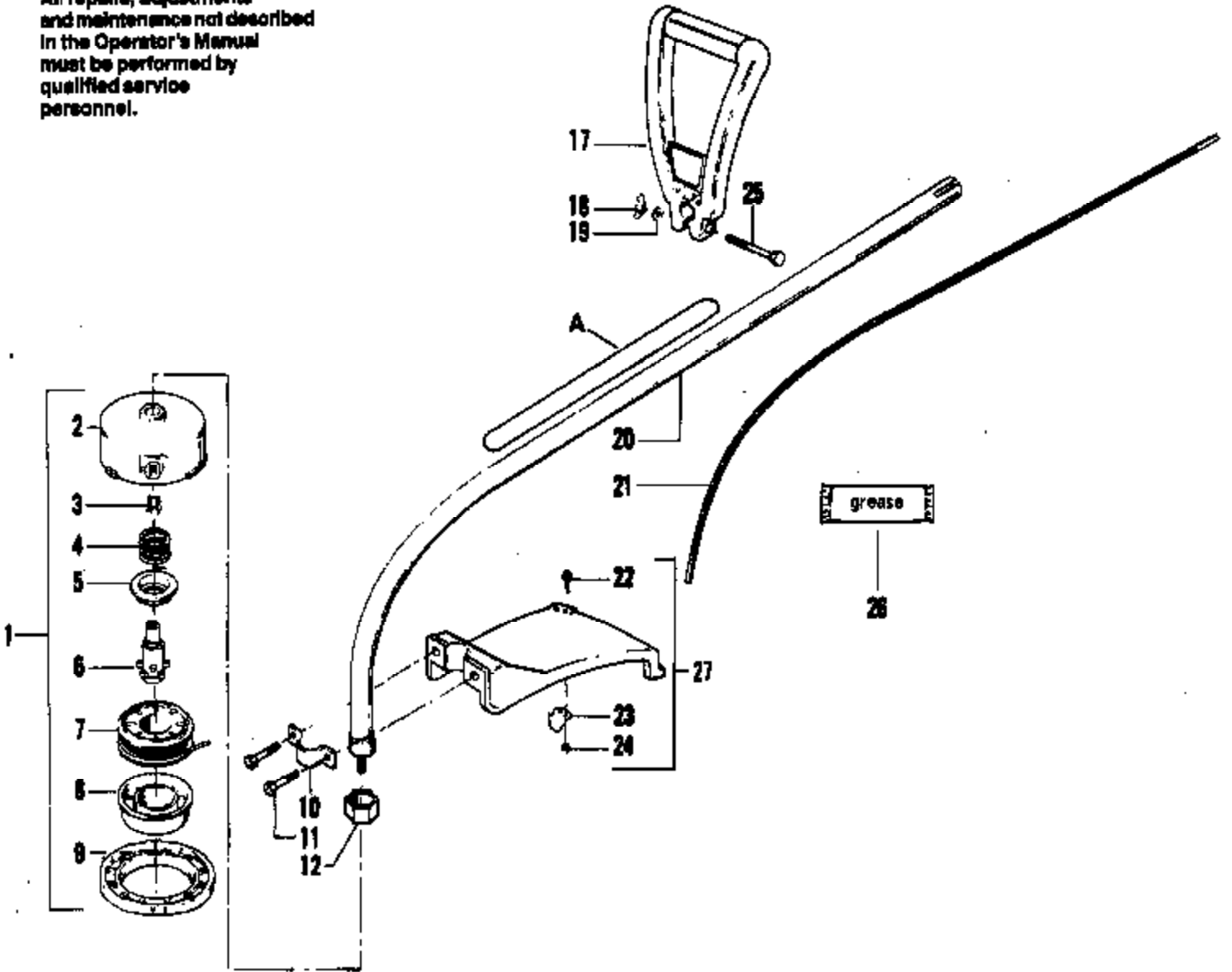


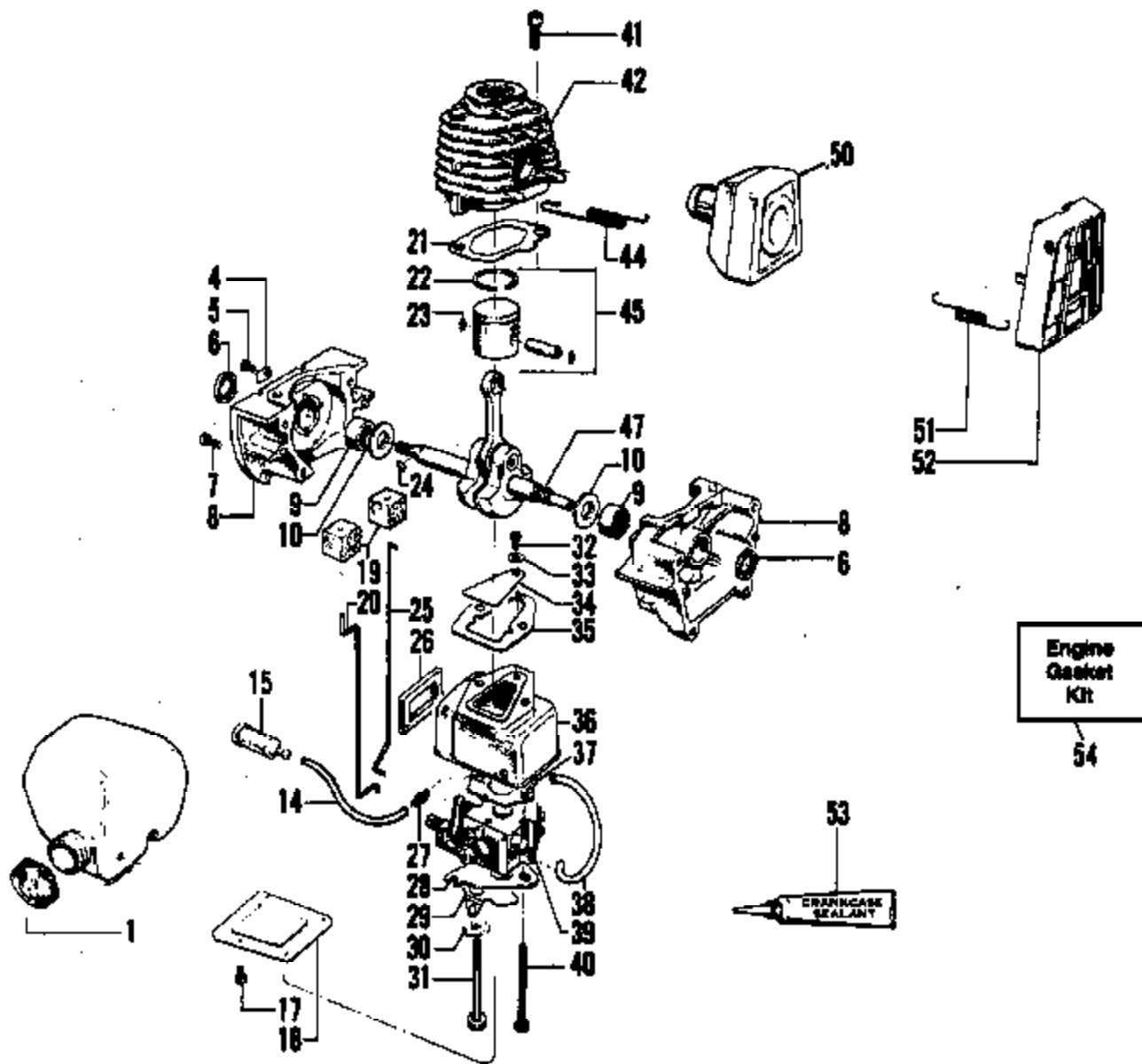
| Ref # | Part Number | Qty | Description |
|-------|-------------|---------------------------|---|
| 1 | 530035017 | | Screw - Pump Cover |
| 2 | 530035191 | | Pump Cover |
| 3 | 530035156 | | Screw - Idle Adjustment |
| 4 | 530035164 | | Gasket - Pump |
| 5 | 530035166 | | Diaphragm - Pump |
| 6 | 530035178 | | Screen - Inlet Included in Carburetor Kwik Repair Kit. |
| 7 | 530035138 | | Spring - Throttle Return |
| 8 | 530035132 | | Shaft Assembly - Throttle |
| 9 | 530035015 | | Screw - Throttle Valve Included in Carburetor Kwik Repair Kit. |
| 10 | 530035133 | | Valve - Throttle |
| 11 | 530035007 | YP110 Gas Trimmage 2 of 9 | Clip - Throttle Shaft |
| 12 | 530035106 | CARBURETOR WA 110 BR | Valve - Inlet Needle Included in Carburetor Kwik Repair Kit. |
| 13 | 530035139 | | Spring - Metering Lever Included in Carburetor Kwik Repair Kit. |
| 14 | 530035031 | | Lever - Metering Included in Carburetor Kwik Repair Kit. |
| 15 | 530035028 | | Pin - Metering Lever Included in Carburetor Kwik Repair Kit. |
| 16 | 530035016 | | Screw - Metering Lever Pin |
| 17 | 530035147 | | Gasket - Circuit Plate |
| 18 | 530035036 | | Spring - Hi Speed Needle |
| 19 | 530035142 | | Needle - Hi Speed |
| 20 | 530035023 | | Spring - Idle Needle |
| 21 | 530035141 | | Needle - Idle |
| 22 | 530035042 | | Plate - Circuit |
| 23 | 530035137 | | Screw - Circuit Plate Included in Carburetor Kwik Repair Kit. |
| 24 | 530035151 | | Gasket - Metering Diaphragm |
| 25 | 530035014 | | Diaphragm Assembly - Metering |
| 26 | 530035149 | | Cover - Metering Diaphragm |
| 27 | 530035153 | | Screw Assembly - Metering Cover and Throttle Shaft Clip |
| 28 | 530035185 | | Kit - Carb. Kwik Repair |
| 29 | 530035186 | | Kit - Carb. Gasket/Diaphragm |

⚠ WARNING

All repairs, adjustments and maintenance not described in the Operator's Manual must be performed by qualified service personnel.



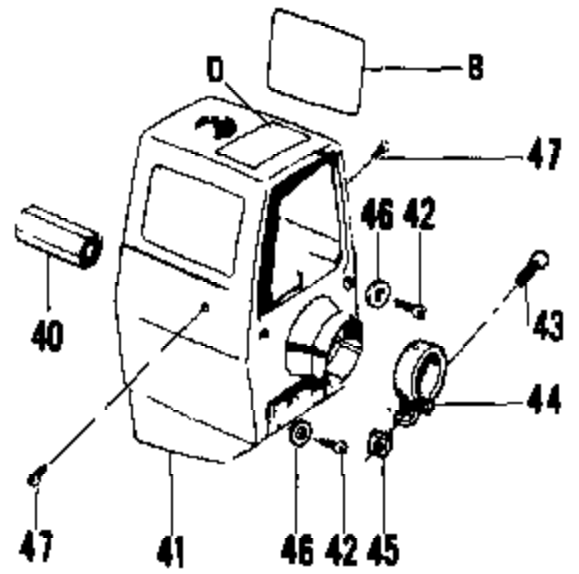
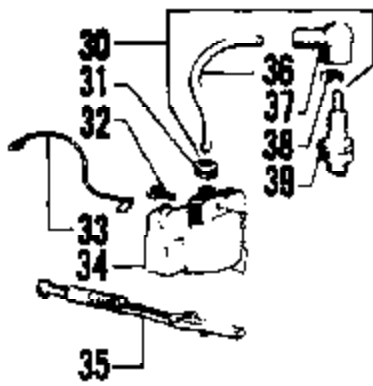
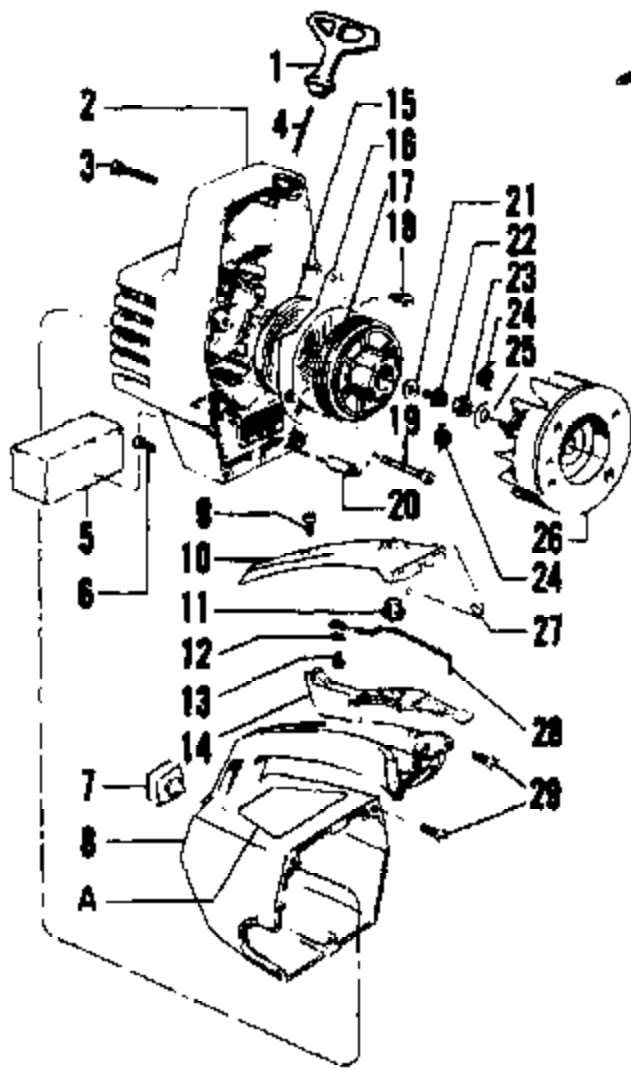
| Ref # | Part Number | Qty | Description |
|-------|-------------|-------------------------|--|
| 1 | 530093894 | | Cutting Head Assembly (Incl. #2 - 9) |
| 2 | 530093896 | | Hub w/Line Saver |
| 3 | 530093898 | | Line Saver |
| 4 | 530092067 | | Spring |
| 5 | 530092068 | | Adaptor - Spring |
| 6 | 530093897 | | Drive Gear |
| 7 | 952701523 | | Spool w/Line |
| 8 | 530093387 | | Release Button |
| 9 | 530092133 | | Cover |
| 10 | 530093653 | | Bracket - Shield |
| 11 | 530092243 | | Screw, Shield - 1/4 - 10 x 1-1/8 |
| 12 | 530093716 | | Dust Cup |
| 17 | 530010618 | YP110 Gas Trim | Assist Handle |
| 18 | 530091373 | CUTTING HEAD & DRIVE SH | Wing Nut - 1/4 - 20 |
| 19 | 530092062 | | Washer - 1/4 Flat |
| 20 | 530093943 | | Drive Shaft Assembly |
| 21 | 530093935 | | Flex Shaft Assembly |
| 22 | 530015337 | | Screw - Line Limiter |
| 23 | 530093853 | | Line Limiter |
| 24 | 530015217 | | Nut - Line Limiter |
| 25 | 530015737 | | Screw |
| 26 | 530030102 | | Grease - Flex Drive Lube |
| 27 | 530069213 | | Shield Assembly (Incl. #11, 22, 23 & 24) |
| A | 530027430 | | Decal - Safety Label |
| | 530066945 | | Operator's Manual |



| Ref # | Part Number | Qty | Description |
|-------|-------------|-----|--|
| 1 | 530010729 | | Fuel Cap Ass'y (Incl. O-Ring) |
| 4 | 530024651 | | Clamp - Choke Wire |
| 5 | 530015004 | | Screw - Choke Rod Clamp (Pan. Hd. 8 - 32 x 5/16) |
| 6 | 530019059 | | Seal - Crankcase Included in Engine Gasket Kit. |
| 7 | 530015369 | | Screw - Crankcase (Fil. Hd. 10 - 24 x 5/8) |
| 8 | 530010757 | | Crankcase Ass'y. (Incl. 6, 9 & Qty. 1 of #7) |
| 9 | 530032029 | | Bearing - Crankcase |
| 10 | 530015351 | | Washer - Thrust - Crankcase |
| 11 | 530010776 | | Fuel Tank Ass'y. (Incl. 3, 14, 15, 16 & 27) |
| 14 | 530021042 | | Fuel Line - Type 1 |
| 14 | 530069247 | | Line Kit - Type 2 |
| 15 | 530091878 | | Type 1 |
| 15 | 530010897 | | Type 2 |
| 17 | 530015235 | | Screw - Carburetor Case Cover (Pan Hd. 8 - 18 x 9/16) |
| 18 | 530026029 | | Cover Carburetor Case |
| 19 | 530023373 | | Boot - Throttle - Choke Wire Included in Engine Gasket Kit. |
| 20 | 530026236 | | Choke Wire |
| 21 | 530019111 | | Gasket - Cylinder Included in Engine Gasket Kit. |
| 22 | 530026413 | | Ring - Piston |
| 23 | 530015162 | | Retainer - Wrist Pin |
| 24 | 530015126 | | Key - Flywheel |
| 25 | 530024902 | | Throttle Wire |
| 26 | 530019105 | | Seal - Carburetor Case Included in Engine Gasket Kit. |
| 27 | 530025472 | | Type 1 |
| 27 | 530026981 | | Type 2 |
| 28 | 530026237 | | Choke Wire Guide Plate |
| 29 | 530024558 | | Choke Shutter |
| 30 | 530015254 | | Washer - Wave |
| 31 | 530015404 | | Screw - Carburetor Shoulder (Fil. Hd. 10 - 24 x 2 1/8) |
| 32 | 530015241 | | Screw - Reed Valve (Pan. Hd. 6 - 19 x 5/16) |
| 33 | 530023367 | | Washer - Reed Valve Screw (Flat No. 6) |
| 34 | 530024438 | | Reed Valve |
| 35 | 530019108 | | Gasket - Carburetor Case to Crankcase Included in Engine Gasket Kit. |
| 36 | 530024409 | | Carburetor Housing |
| 37 | 530019115 | | Gasket - Carburetor Included in Engine Gasket Kit. |
| 38 | 530069238 | | Line Kit |
| 39 | 530035183 | | Carburetor - WA - 149 (see pg. 4 for assembly) |
| 40 | 530015379 | | Screw - Carburetor (Fil. Hd. 10 - 24 x 1 -7/8) |
| 41 | 530015239 | | Screw - Cylinder (Soc. Hd. 1/4 - 20 x 3/4) |
| 42 | 530012095 | | Type 1 |
| 42 | 530012168 | | Type 2 |
| 44 | 530024903 | | Spring - Muffler Detachment |
| 45 | 530010753 | | Piston Kit (Incl. 22,23) |
| 47 | 530026418 | | Crankshaft & Rod Ass'y. |
| 51 | 530024932 | | Spring - Muffler Guard |
| 52 | 530024855 | | Guard - Muffler |
| 53 | 530030054 | | Sealant - Crankcase |
| 54 | 530069219 | | Engine Gasket Kit |

YP110 Gas Trim Page 6 of 9

POWER UNIT



| Ref # | Part Number | Qty | Description |
|-------|-------------|-------------------------|---|
| 1 | 530026735 | | Starter - Handle |
| 2 | 530069178 | | Fan Housing Kit |
| 3 | 530015706 | | Screw - 10 - 24 x 1 - 1/2 - Sems Fan Housing - Top |
| 4 | 530069231 | | Rope Kit |
| 5 | 530024371 | | Air Filter |
| 6 | 530015582 | | Screw - 10 - 24 x 5/8 - Sems Fan Housing Bottom |
| 7 | 530024436 | | Bumper - Fuel Tank Housing |
| 8 | 530026199 | | Handle & Fuel Tank Housing |
| 9 | 530015247 | | Screw - 8 - 16 x 3/4 - Pan Hd. - Handle Cover |
| 10 | 530026202 | | Handle Cover |
| 11 | 530026679 | | Button - Kill Switch |
| 12 | 530015412 | | Washer - Kill Switch |
| 13 | 530015407 | YP110 Gas Engine 8 of 9 | Screw - 10 - 16 x 3/8 - Pan Hd. - Kill Switch |
| 14 | 530024365 | STARTER & SHROUD | Trigger - Throttle |
| 15 | 530042067 | | Starter Recoil Spring |
| 16 | 530026035 | | Air Baffle |
| 17 | 530026048 | | Starter Pulley |
| 18 | 530015544 | | Screw #10 x 3/8 - Pan Hd. - Air Baffle Standard Hardware, Purchase Locally. use P/N 15373-10-24xl/4-Fil.HD. instead of 13544, and P/N 15305 10-24xl-3/16 Fil. HD. instead of P/N 15563. |
| 19 | 530015563 | | Screw - 10 - 24 x 1 - 3/16 - Plastite Standard Hardware, Purchase Locally. use P/N 15373-10-24xl/4-Fil.HD. instead of 13544, and P/N 15305 10-24xl-3/16 Fil. HD. instead of P/N 15563. |
| 20 | 530026122 | | Spacer - Air Baffle |
| 21 | 530015123 | | Washer - Starter Pulley |
| 22 | 530015479 | | Screw - #10 x 3/4 - Hex Washer Hd. - Starter Pulley |
| 23 | 530626605 | | Nut - Flywheel |
| 24 | 530042059 | | Spring - Starter Dog |
| 25 | 530015127 | | Washer - Flywheel |
| 26 | 530039114 | | Flywheel Assembly (Incl. #24) |
| 27 | 530024461 | | Trigger Spring |
| 28 | 530024407 | | Spring - Kill Switch |
| 29 | 530015367 | | Screw - 10 - 14 x 3/4 - Pan Hd. - Fan Hsg. to Handle & Fuel Tank |
| 30 | 502039103 | | High Tension Lead Ass'y (Incl. #36, 37 & 38) |
| 31 | 530024435 | | Grommet - Plug Wire |
| 32 | 530015128 | | Screw - 8 - 32 x 3/4 - Fil. Hd. - Ignition Module |
| 33 | 530024158 | | Lead Wire - Switch |
| 34 | 530069181 | | Kit Module |
| 35 | 530024303 | | Knob- Choke |
| 36 | 530039082 | | High Tension Lead Wire |
| 37 | 530003934 | | Boot - Spark Plug |
| 38 | 530003933 | | Connector - Sprak Plug Lead |
| 39 | 530030077 | | Spark Plug |
| 40 | 530093925 | | Drive Adaptor |
| 41 | 530027007 | | Shroud |
| 42 | 530015163 | | Screw - 10 - 24 x 7/8 - Fil. Hd. - Shroud |
| 43 | 530015609 | | Bolt - Clamp - 1/4 - 20 x 9/16 |
| 44 | 530026560 | | Clamp |
| 45 | 530015610 | | Nut - 1/4 - 20 |
| 46 | 530015274 | | Washer - Shroud |
| 47 | 530015590 | | Screw - 10 - 24 x 5/8 Bind. Hd. |

| Ref # | Part Number | Qty | Description |
|-------|-------------|-----|-------------|
| A | 027012 | | Type 1 |
| A | 530027014 | | Type 2 |
| B | 530027008 | | (Right) |
| B | 530027009 | | (Left) |
| B | 530027147 | | (Top) |

YP110 Gas Trimmer Page 9 of 9
STARTER & SHROUD