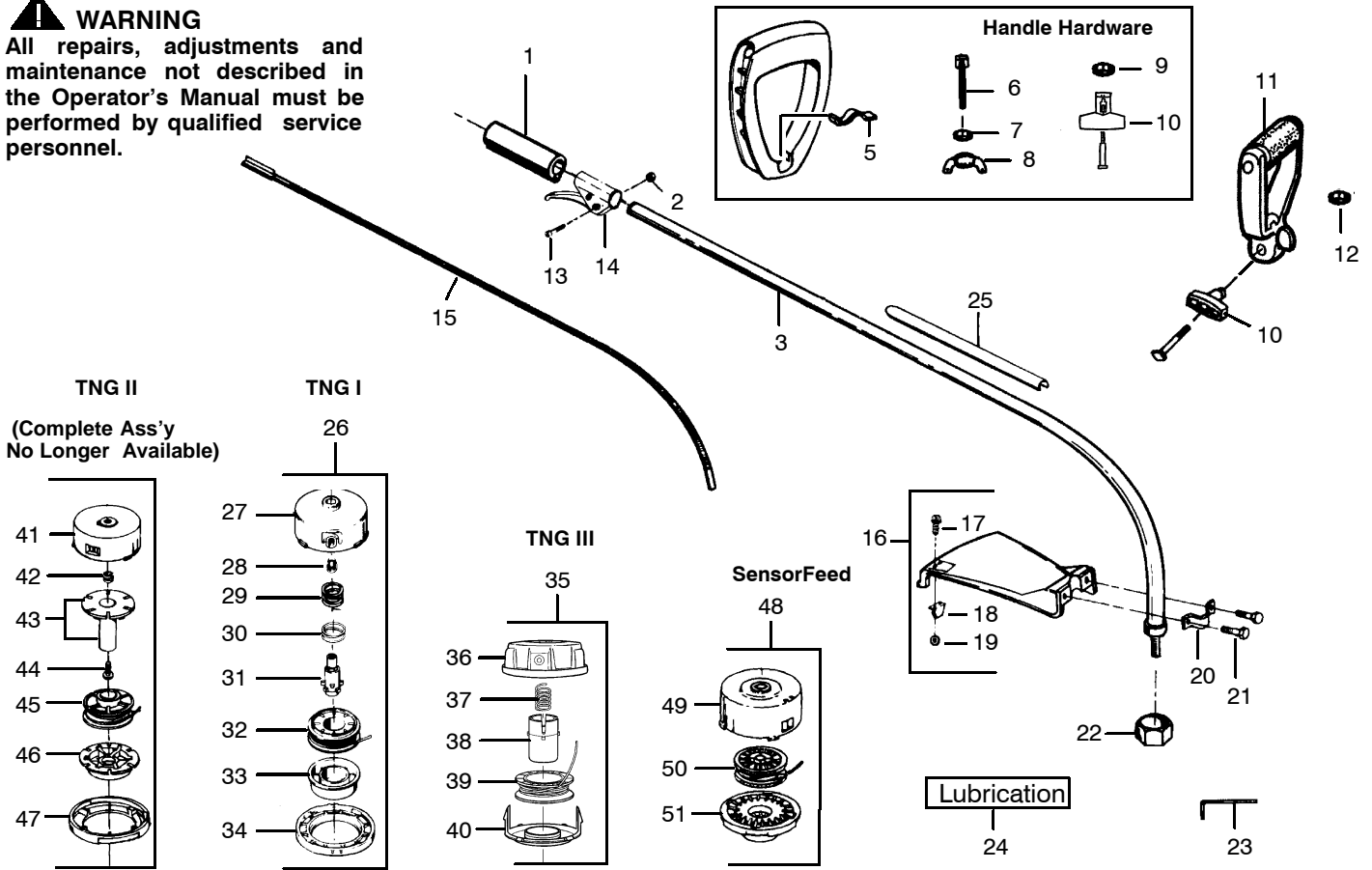


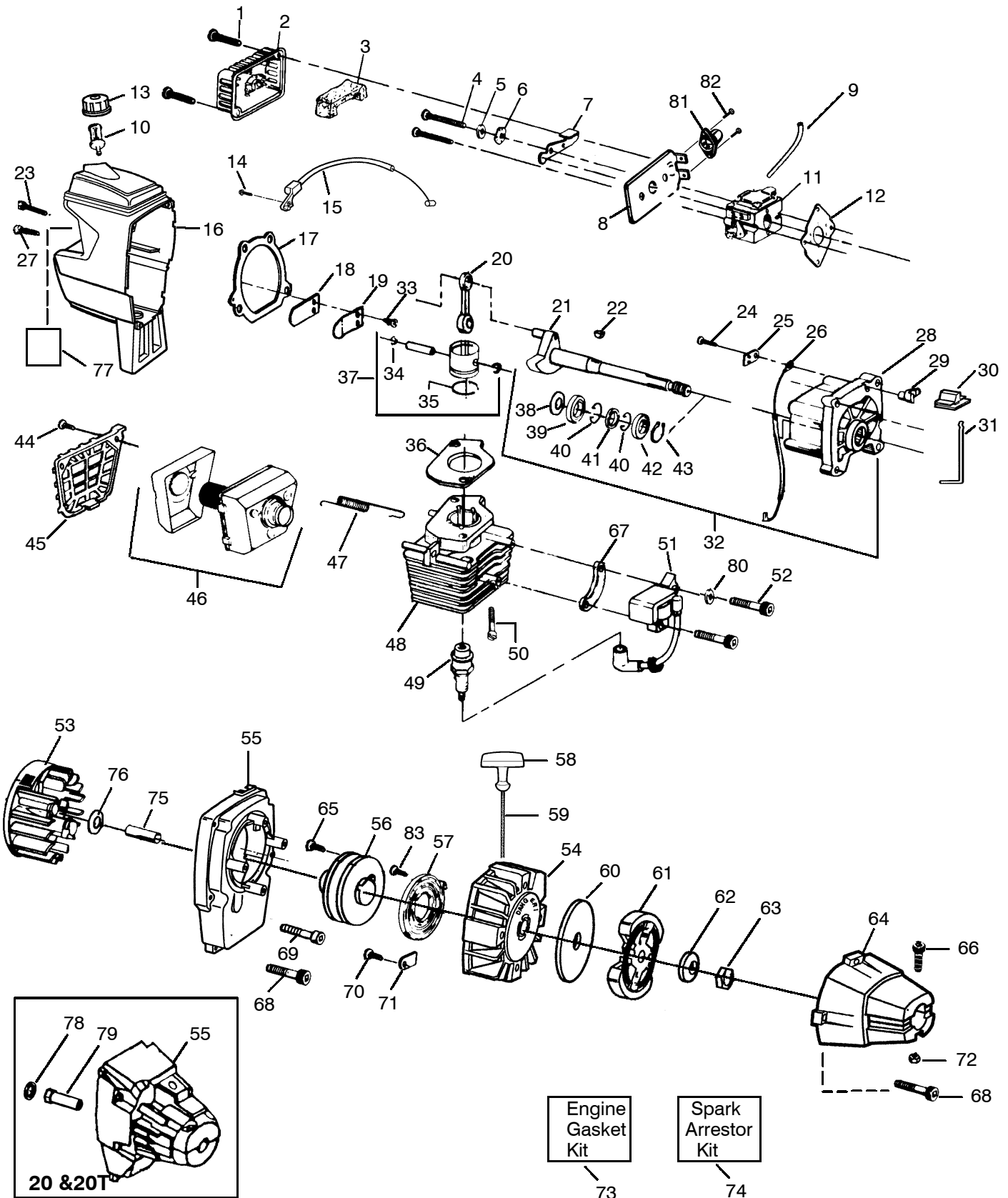
WARNING
 All repairs, adjustments and maintenance not described in the Operator's Manual must be performed by qualified service personnel.



Ref.	Part No.	Description	Ref.	Part No.	Description	Ref.	Part No.	Description
1.	530-029445	Grip	20.	-	Shield Bracket	41.	530-094562	Hub Ass'y
2.	530-015768	Nut		530-029373	20T, 40	42.	530-094956	Spring
3.	-	Drive Shaft Hsg.		530-093653	20, 40T, 50, 50T	43.	530-069312	Locking Plate Kit
	530-094874	20T, 40	21.	530-016107	Screw	44.	530-015542	Screw
	530-094688	20, 40T	22.	530-094543	Dust Cup	45.	952-701606	Spool w/Line
	530-014966	50, 50T	23.	530-031111	Hex Wrench (5/32)	46.	530-094522	Release Button
5.	530-094742	Clamp	24.	952-030139	Shaft Lubrication	47.	530-094521	Cover
6.	530-015820	Bolt	25.	530-029159	Shaft Warning Decal	48.	952-701605	Cutting Head Ass'y
7.	530-092062	Washer	26.	952-701574	Cutting Head Ass'y. (Incl. 27-34)	49.	530-094592	Hub Ass'y
8.	530-091373	Nut	27.	530-093896	Hub Ass'y.	50.	952-701607	Spool w/Line
9.	530-015610	Nut	28.	530-093898	Line Saver	51.	530-094494	Cover
10.	530-069252	"T" Handle Kit	29.	530-340007	Spring			
11.	530-010957	Handle	30.	530-092068	Spring Cap			
12.	530-015197	Nut	31.	530-093897	Drive Gear			
13.	530-015774	Screw	32.	952-701523	Spool w/Line			
14.	530-010959	Throttle Hsg. Ass'y. (Incl. 2 & 13)	33.	530-401183	Release Button			
15.	-	Drive Shaft	34.	530-092133	Cover			
	530-094671	20, 20T, 40T	35.	-	Cutting Head Ass'y.			
	530-095092	40		952-701618	w/5/16" arbor - 20T			
	530-094551	50T		952-701628	w/3/8" arbor - 40,40T			
16.	-	Shield Kit Ass'y. (Incl. 17-18 & 21)	36.	-	Hub Ass'y.			
	530-069299	40, 20T		530-094875	w/5/16" arbor -20T			
	530-069249	20, 40T, 50, 50T		530-094878	w/3/8" arbor -40,40T			
17.	530-015337	Screw	37.	530-094830	Spring			
18.	-	Line Limiter	38.	530-094827	Release Button			
	530-094570	20, 20T, 40, 50	39.	952-701619	Spool w/Line			
	530-094883	40T, 50T	40.	530-094828	Cover			
19.	534-235901	Locknut						

✓ = NEW PART NUMBER FOR THIS IPL * = REFER TO THE SERVICE REFERENCE INDICATED FOR MORE INFORMATION. (LOCATED AT END OF IPL)
 ● = THESE PARTS ARE ILLUSTRATED FOR CLARITY. ORDER COMPLETE ASSEMBLY.

PARTS LIST NO. 530-067682		WEED EATER® PARTS LIST	Trimmer Model: XT20, XT20T, XT40, XT40T, XT50 & XT50T
DATE 8/21/02	REPLACES 530067682-10/15/95		Note: Illustration may differ from actual model due to design changes

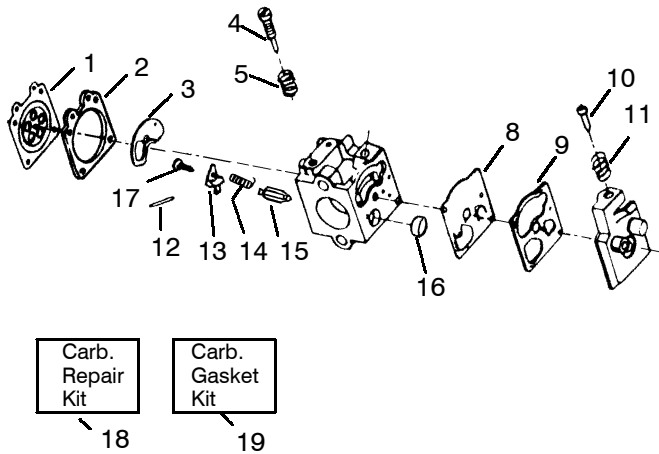


PARTS LIST NO. 530-067682		WEED EATER® PARTS LIST		Trimmer Model: XT20, XT20T, XT40, XT40T, XT50 & XT50T	
DATE	REPLACES	Note: Illustration may differ from actual model due to design changes		PAGE NO.	3
8/21/02	530067682-10/15/95				
Key No.	Part No.	Description	Key No.	Part No.	Description
1	530-015773	Screw	39	530-032103	Inner Bearing
2	530-027529	Air Filter Cover	40	530-015787	Retaining Ring
3	530-027530	Air Filter	41	530-019158	Crankshaft Seal
4	530-015849	Screw	42	530-032102	Outer Bearing
5	530-015852	Spacer	43	530-015789	Crankshaft Retaining Ring
6	530-015254	Wave Washer	44	530-015717	Screw
7	530-038103	Choke Shutter	45	530-027781	Muffler Guard
8	-	Air Filter Plate	46	530-069257	Muffler Kit
	530-027527	Type 1	47	530-036409	Muffler Attachment Spring
	530-037930	Type 2 & 3	48	-	Cylinder
9	-	Fuel Line Kit		530-012244	20, 20T, 40
	530-069247	Fuel Line-Type 1		530-069626	40T, 50, 50T
	530-069571	Return Line-Type 2 & 3	49	530-030077	Spark Plug
10	530-014362	Fuel Pick-up Ass'y.	50	-	Screw
11	-	Carburetor		530-015239	20, 20T, 50
	530-069637	20 & 20T (WA217) Type 1		530-001624	40, 40T, 50T
	530-069648	20T (WA219B) Type 2	51	530-039134	Ignition Module Kit
	530-035259	40, 40T, 50, 50T (WA199) Type 1	52	-	Screw
	530-069651	40T, 50T (WT298A) Type 2 & 3		530-015776	20, 20T
12	† 530-019156	Carburetor Gasket	53	530-015128	40T, 50, 50T
13	530-014347	Fuel Cap Ass'y.		-	Flywheel Ass'y.
14	530-015775	Screw		530-047198	20T
15	-	Throttle Cable Ass'y.	54	530-039189	20, 40, 40T, 50, 50T
	530-037498	20 & 20T-Type 1 & 2		530-014009	Pulley Housing Ass'y.
	530-027549	40, 40T, 50, 50T-Type 1	55	-	40, 40T, 50, 50T
	530-037497	40T, 50T-Type 2 & 3		530-014045	Fan Housing
16	-	Shroud & Tank Ass'y.		530-027948	20, 20T
	530-027982	Type 1	56	530-069291	40, 40T, 50, 50T
	530-047086	Type 2 & 3	57	530-029395	Starter Pulley Kit (Incl. 65)
17	† 530-019154	Crankcase/Shroud Gasket	58	530-027569	Starter Spring
18	530-027593	Reed	59	530-069232	Starter Handle
19	530-027594	Reed Stop	60	530-069232	Rope Kit
20	-	Connecting Rod Ass'y.	61	530-094189	Clutch Washer-40, 40T, 50, 50T
	530-014005	(Incl. Bearings)	62	530-069254	Clutch Ass'y. Kit-40, 40T, 50, 50T
	530-010960	20, 20T, 40	63	530-015796	Washer-40, 40T, 50, 50T
	★ -	40T, 50, 50T	64	530-001733	Nut-40, 40T, 50, 50T
21	-	Crankshaft Ass'y.	65	530-014017	Clutch Housing-40, 40T, 50, 50T
	530-010945	See Service Ref. 2	66	530-016080	Screw-Rope Retaining
	530-010934	20 20T	67	530-015767	Screw
	530-015126	40, 40T, 50, 50T	68	530-027525	Spacer-20, 20T, 40
22	530-015126	Flywheel Key	69	530-015770	Screw
23	530-015772	Screw	70	530-015769	Screw
24	530-015780	Screw	71	530-015496	Screw
25	530-027546	Switch Insulator	72	530-027523	Retainer
26	530-027547	Lead Wire	73	530-015768	Locknut
27	530-015771	Screw		530-069276	Engine Gasket Kit
28	530-014016	Crankcase Ass'y.	74	952-701612	(Indicates Contents)
	530-027545	(Incl. #39-42)	75	530-027511	Spark Arrestor Kit
29	530-038309	Switch Ramp	76	530-347987	Spacer- 40, 40T, 50,, 50T
30	530-027959	Switch Button	77	-	Washer
31	-	Switch Spring		530-027986	Instruction Decal
32	-	Crankcase & Crankshaft Ass'y		530-037742	Type 1
	530-014004	(Incl. #21, 28 & 39-43)		530-038844	Type 2
	530-014015	20, 20T	78	530-015828	Type 3
	530-016064	40, 40T, 50, 50T	79	530-027953	Washer-20, 20T
33	530-015162	Screw	80	★	Drive Coupling-20, 20T
34	-	Piston Pin Retainer	81	530-038874	Washer- See Service Ref. 1
35	-	Piston Ring	82	530-016091	Primer Bulb Ass'y. Type 2 & 3
	530-026413	20, 20T, 40	83	530-015882	Screw-Primer Type 2 & 3
	530-025875	40T, 50, 50T			Screw-Starter Spring Type 3
36	† 530-019178	Cylinder Gasket	Not Shown		
37	-	Piston Kit			
	530-069274	(Incl. #34, 35 & pin)			Ass'y. Parts Bag
	530-069275	20, 20T, 40		530-014052	20
38	★	40T, 50, 50T		530-014215	20T, 40
		Spacer- See Service Ref. 2		530-014846	40T
				530-014054	50
				530-014848	50T

✓ = NEW PART NUMBER FOR THIS IPL ★ = REFER TO THE SERVICE REFERENCE INDICATED FOR MORE INFORMATION. (LOCATED AT END OF IPL)
● = THESE PARTS ARE ILLUSTRATED FOR CLARITY. ORDER COMPLETE ASSEMBLY.

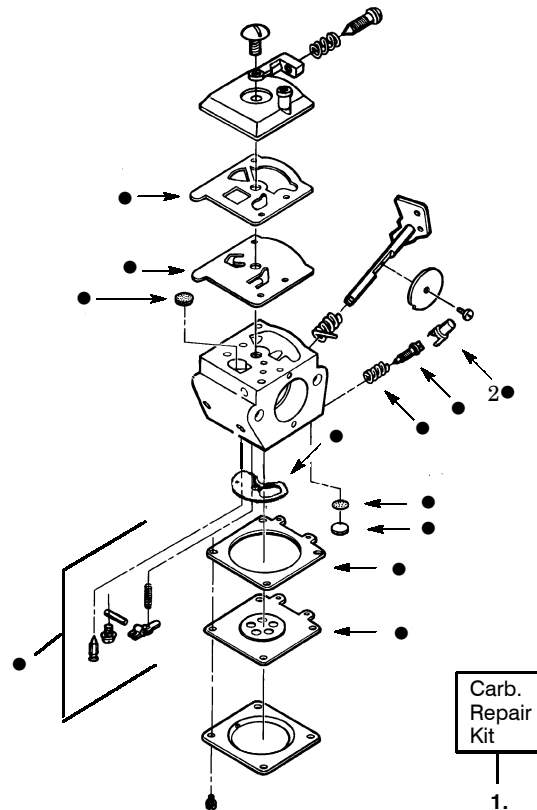
Carburetor Assembly-XT 20 & 20T

WA-207/207A



Ref.	Part No.	Description
1	530-035014	* + Metering Diaphragm
2	530-035151	* + Metering Diaphragm Gasket
3	530-035211	* + Circuit Plate Gasket
4	530-035212	Mixture Needle
5	530-035214	Mixture Needle Spring
8	530-035166	* + Fuel Pump Diaphragm
9	530-035164	* + Fuel Pump Gasket
10	530-035203	Idle Speed Screw
11	530-035208	Idle Speed Spring
12	530-035028	* Metering Lever Pin
13	530-035031	* Metering Lever
14	530-035188	* Metering Lever Spring
15	530-035106	* Inlet Needle Valve
16	530-035178	* Fuel Inlet Screen
17	530-035016	* Metering Lever Pin Screw
18	530-035264	Carb. Kwik Repair Kit (*Indicates Contents)
19	530-035219	Carb. Gasket/Diaphragm Kit (+Indicates Contents)

WA-217 #530-069637 WA-219B #530-069648



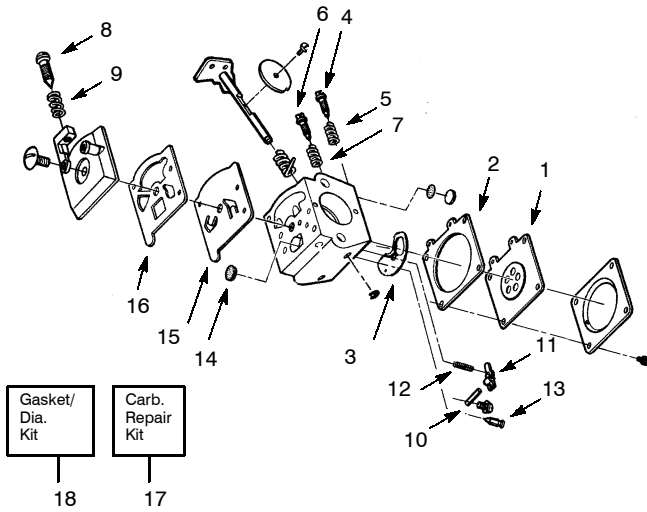
Ref.	Part No.	Description
1.	-	Carburetor Repair Kit (●Indicates Contents)
	530-069726	WA 217
	530-069667	WA 219B
2.	530-038404	Limiter Cap

✓ = NEW PART NUMBER FOR THIS IPL * = REFER TO THE SERVICE REFERENCE INDICATED FOR MORE INFORMATION. (LOCATED AT END OF IPL)
● = THESE PARTS ARE ILLUSTRATED FOR CLARITY. ORDER COMPLETE ASSEMBLY.

PARTS LIST NO. 530-067682		WEED EATER® PARTS LIST	Trimmer Model: XT20, XT20T, XT40, XT40T, XT50 & XT50T
DATE 8/21/02	REPLACES 530067682-10/15/95		Note: Illustration may differ from actual model due to design changes

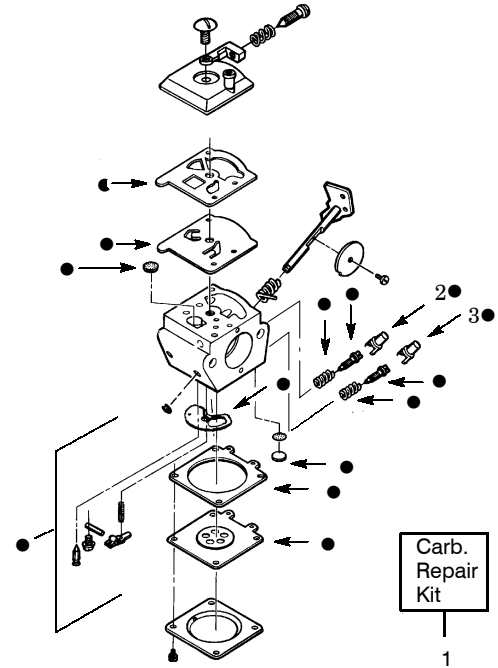
Carburetor Assembly—XT 40, 40T, 50 & 50T

WA-199 #530-035259



Ref.	Part No.	Description
1	530-035014	*+ Metering Diaphragm
2	530-035151	*+ Metering Diaphragm Gasket
3	530-035147	*+ Circuit Plate Gasket
4	530-035142	Hi Speed Needle
5	530-035036	Hi Speed Needle Spring
6	530-035141	Idle Needle
7	530-035023	Idle Needle Spring
8	530-035203	Idle Speed Screw
9	530-035208	Idle Speed Spring
10	530-035028	Metering Lever Pin
11	530-035031	Metering Lever
12	530-035188	* Metering Lever Spring
13	530-035106	* Inlet Needle Valve
14	530-035178	* Inlet Screen
15	530-035166	* Pump Diaphragm
16	530-035164	* Pump Gasket
17	530-035260	Carb. Kwik Repair Kit (*Indicates Contents)
18	530-035185	*+ Carb. Gasket/DiaphragmKit (*+ (+Indicates Contents)

WT-298A #530-069651

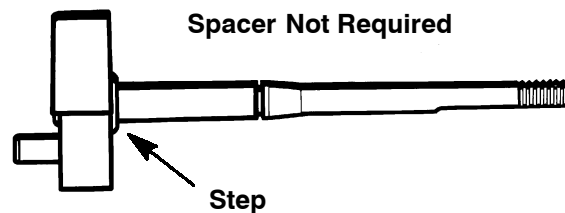
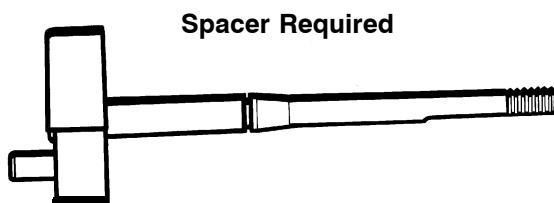


Ref.	Part No.	Description
1.	530-069623	Carburetor Repair Kit (● Indicates Contents)
2.	530-038317	Limiting Cap—Low
3.	530-038318	Limiting Cap—High

★SERVICE REFERENCE

1. Ignition Module Washer – Washer #530-015811 was used on some units having a serial number beginning with 1G268 and lower. When repairing units in this serial number range, the washer should be added if the unit is not so equipped. Units built with higher serial numbers do not require the washer.

2. Crankshaft Spacer – Earlier models equipped with the laminated crankshaft (shown on the left) requires Spacer 530-015788. Later models equipped with a step on the crankshaft (shown on the right), do not require the spacer.



✓ = NEW PART NUMBER FOR THIS IPL ★ = REFER TO THE SERVICE REFERENCE INDICATED FOR MORE INFORMATION. (LOCATED AT END OF IPL)
● = THESE PARTS ARE ILLUSTRATED FOR CLARITY. ORDER COMPLETE ASSEMBLY.