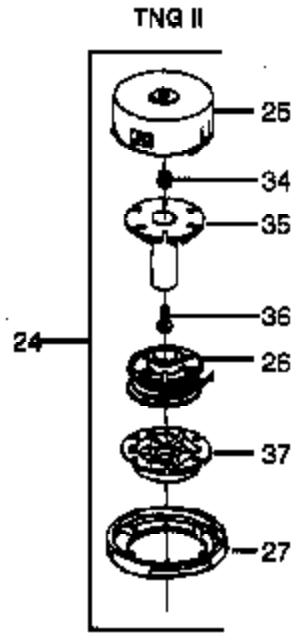
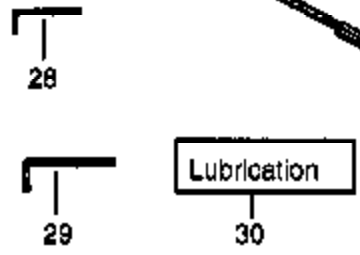
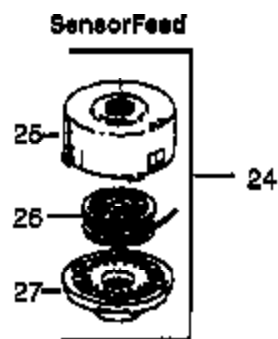
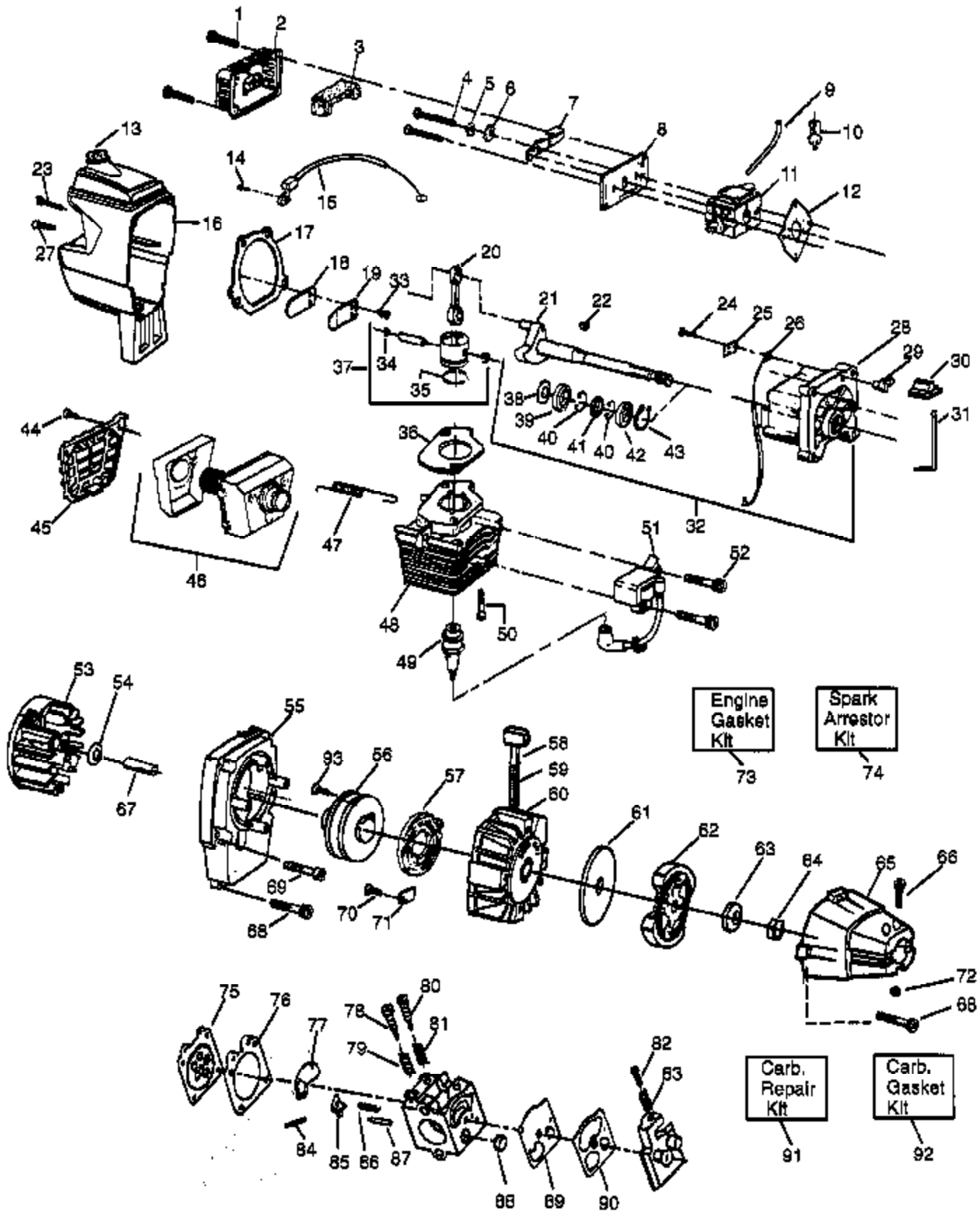


⚠ WARNING
 All repairs, adjustments and maintenance not described in the Operator's Manual must be performed by qualified service personnel.



| Ref # | Part Number | Qty | Description |
|-------|-------------|-----|---|
| 1 | 530029445 | | Drive Shaft Grip |
| 2 | 530015768 | | Nut |
| 3 | 530094684 | | Drive Shaft Housing |
| 4 | 530010957 | | Handle |
| 5 | 530015197 | | Nut |
| 6 | 530001642 | | Lockwasher |
| 7 | 530001711 | | Screw |
| 8 | 530016107 | | Screw |
| 9 | 530015774 | | Screw |
| 10 | 530010959 | | Throttle Lever Ass'y. w/ Lock (Incl. 2 & 9) |
| 11 | 530069252 | | "T" Handle Ass'y. |
| 12 | 530015328 | | Lockwasher |
| 13 | 530094612 | | Screw |
| 14 | 530094568 | | Gear Box Ass'y. |
| 15 | 530094585 | | Drive Shaft |
| 16 | 530069256 | | Shield Kit Ass'y. (Incl. 17-19) |
| 17 | 530015037 | | Screw |
| 18 | 530094570 | | Line Limiter |
| 19 | 534235901 | | Locknut |
| 20 | 530094616 | | Screw |
| 21 | 530094640 | | Seal |
| 22 | 530094639 | | Dust Cup |
| 23 | 530094571 | | Grass Washer |
| 24 | 952701608 | | SensorFeed |
| 24 | 530094954 | | TNG II Single Exit |
| 25 | 530094557 | | SensorFeed |
| 25 | 530014274 | | TNG II |
| 26 | 952701607 | | SensorFeed |
| 26 | 952701606 | | TNG II |
| 27 | 530094494 | | Sensorfeed |
| 27 | 530094521 | | TNG II |
| 28 | 530031111 | | Hex Wrench (5/32) |
| 29 | 530031098 | | Hex Wrench (3/16) |
| 30 | 952030139 | | Shaft Lubrication |
| 31 | 530014222 | | Handle |
| 32 | 530015610 | | Nut |
| 33 | 530094742 | | Clamp |
| 34 | 530094956 | | Spring |
| 35 | 530069312 | | Locking Plate |
| 36 | 530015542 | | Screw |
| 37 | 530094522 | | Release Button |
| 38 | 530029159 | | Decal-Shaft Warning |
| | 530067465 | | Operator's Manual |

XT100 Gas Trimmer Page 2 of 5
CUTTING HEAD & DRIVE SHAFT



| Ref # | Part Number | Qty | Description |
|-------|-------------|-----|---|
| 1 | 530015773 | | Screw |
| 2 | 530027529 | | Air Filter Cover |
| 3 | 530027530 | | Air Filter |
| 4 | 530015849 | | Screw |
| 5 | 530015852 | | Spacer |
| 6 | 530015254 | | Wave Washer |
| 7 | 530027526 | | Choke Shutter |
| 8 | 530027527 | | Air Filter Plate |
| 9 | 530069247 | | Fuel Line Kit |
| 10 | 530014362 | | Fuel Pick-up Ass'y. |
| 11 | 530035259 | | Carburetor (WA-199) |
| 12 | 530019156 | | Carburetor Gasket Included in Carburetor Kwik Repair Kit. |
| 13 | 530014347 | | Fuel Cap Ass'y. |
| 14 | 530015775 | | Screw |
| 15 | 530027549 | | Throttle Cable Ass'y. |
| 16 | 530027982 | | Shroud & Tank Ass'y. |
| 17 | 530019154 | | Gasket Included in Carburetor Kwik Repair Kit. |
| 18 | 530027593 | | Reed |
| 19 | 530027594 | | Reed Stop |
| 20 | 530010960 | | Connecting Rod Ass'y. (Incl. Bearings) |
| 21 | 530010934 | | Crankshaft Ass'y. See Serv. Ref. 1 |
| 22 | 530015126 | | Flywheel Key |
| 23 | 530015772 | | Screw |
| 24 | 530015780 | | Screw |
| 25 | 530027546 | | Kill Switch Insulator |
| 26 | 530027547 | | Lead Wire |
| 27 | 530015771 | | Screw |
| 28 | 530014016 | | Crankcase Ass'y. (Incl. 39-42) |
| 29 | 530027545 | | Switch Ramp |
| 30 | 530038309 | | Switch Button |
| 31 | 530027959 | | Switch Spring |
| 32 | 530014015 | | Crankcase & Crankshaft Ass'y. (Incl. 21, 28 & 39-43) |
| 33 | 530016064 | | Screw |
| 34 | 530015162 | | Piston Pin Retainer |
| 35 | 530025875 | | Piston Ring |
| 36 | 530019178 | | Cylinder Gasket Included in Carburetor Kwik Repair Kit. |
| 37 | 530069275 | | Piston Kit (Incl. 34, 35 & pin) |
| 39 | 530032103 | | Inner Bearing |
| 40 | 530015787 | | Retaining Ring |
| 41 | 530019158 | | Crankshaft Seal |
| 42 | 530032102 | | Outer Bearing |
| 43 | 530015789 | | Crankshaft Retaining Ring |
| 44 | 530015717 | | Screw |
| 45 | 530027781 | | Muffler Guard |
| 46 | 530069257 | | Muffler Kit |
| 47 | 530024903 | | Muffler Spring |
| 48 | 530069626 | | Cylinder |
| 49 | 530030077 | | Spark Plug |
| 50 | 530015239 | | Screw |
| 51 | 530039134 | | Ignition Module Kit |
| 52 | 530015128 | | Screw |
| 53 | 530039189 | | Flywheel Ass'y. |
| 54 | 530347987 | | Washer |
| 55 | 530027948 | | Fan Housing |
| 56 | 530069291 | | Starter Pulley |
| 57 | 530029395 | | Starter Spring |

XT100 Gas Engine & Shroud
 Page 4 of 5

| Ref # | Part Number | Qty | Description |
|-------|-------------|-----|---|
| 58 | 530027569 | | Starter Handle |
| 59 | 530069232 | | Rope Kit |
| 60 | 530014009 | | Pulley Housing Ass'y. |
| 61 | 530094189 | | Clutch Washer |
| 62 | 530069254 | | Clutch Ass'y. Kit |
| 63 | 530015796 | | Washer |
| 64 | 530001733 | | Nut |
| 65 | 530014017 | | Clutch Housing |
| 66 | 530015767 | | Screw |
| 67 | 530027511 | | Spacer |
| 68 | 530015770 | | Screw |
| 69 | 530015769 | | Screw |
| 70 | 530015496 | | Screw |
| 71 | 530027523 | | Pulley Retainer |
| 72 | 530015768 | | Locknut |
| 73 | 530069276 | | Engine Gasket Kit |
| 74 | 952701612 | | Spark Arrestor Kit |
| 75 | 530035014 | | Metering Diaphragm |
| 76 | 530035151 | | Metering Diaphragm Gasket |
| 77 | 530035147 | | Circuit Plate Gasket |
| 78 | 530035142 | | Hi Speed Needle |
| 79 | 530035036 | | Hi Speed Needle Spring |
| 80 | 530035141 | | Idle Needle |
| 81 | 530035023 | | Idle Needle Spring |
| 82 | 530035203 | | Idle Speed Screw |
| 83 | 530035208 | | Idle Speed Spring Included in Carburetor Kwik Repair Kit. |
| 84 | 530035028 | | Metering Pin Included in Carburetor Kwik Repair Kit. |
| 85 | 530035031 | | Metering Lever Included in Carburetor Kwik Repair Kit. |
| 86 | 530035188 | | Metering Lever Spring Included in Carburetor Kwik Repair Kit. |
| 87 | 530035106 | | Inlet Needle Valve Included in Carburetor Kwik Repair Kit. |
| 88 | 530035178 | | Inlet Screen |
| 89 | 530035166 | | Pump Diaphragm |
| 90 | 530035164 | | Pump Gasket |
| 91 | 530035260 | | Carb. Kwik Repair Kit |
| 92 | 530035185 | | Carb. Gasket/Diaphragm Kit |
| 93 | 530016080 | | Screw |
| | 530027986 | | Instruction Decal Not Shown. |
| | 530014056 | | Carton Contents Bag Not Shown. |

XT100 Gas Trimmer
ENGINE & SHROUD

Page 5 of 5