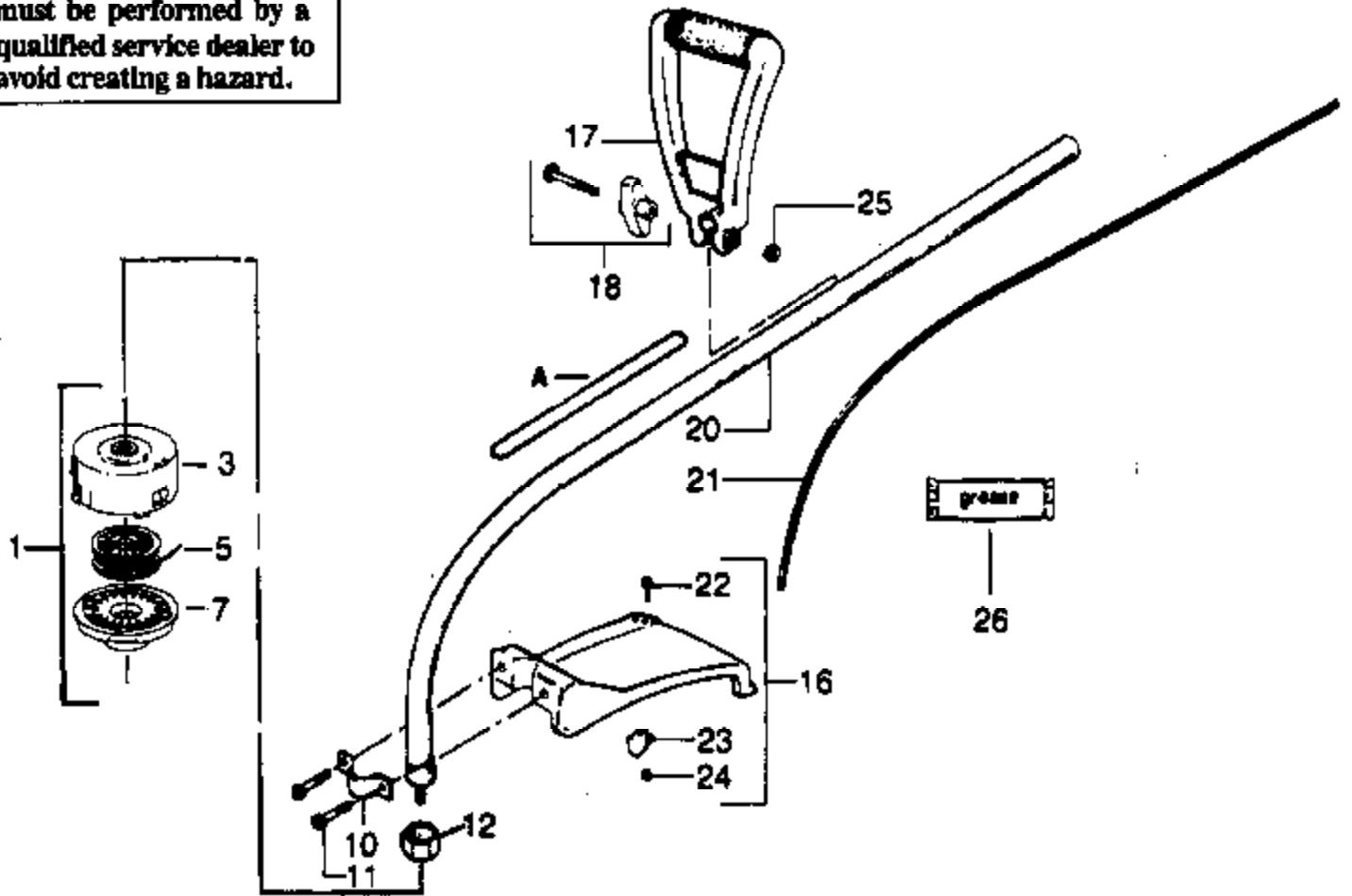


Ref #	Part Number	Qty	Description
1	530035017		Screw - Pump Cover
2	530035191		Pump Cover Ass'y (Inc.4)
3	530035164		Gasket - Pump
4	530035156		Screw - Idle Adjustment
5	530035178		Screen - Inlet Included in Carburetor Kwik Repair Kit.
6	530035166		Diaphragm - Pump
7	530035133		Valve - Throttle
8	530035007		Clip - Throttle Shaft
9	530035138		Spring - Throttle Return
10	530035015		Screw - Throttle Valve Included in Carburetor Kwik Repair Kit.
11	530035132		Shaft Assembly - Throttle
12	530035023		Spring - Idle Needle
13	530035141		Needle - Idle
14	530035139		Spring - Metering Lever Included in Carburetor Kwik Repair Kit.
15	530035106		Valve - Inlet Needle Included in Carburetor Kwik Repair Kit.
16	530035031		Lever - Metering Included in Carburetor Kwik Repair Kit.
17	530035036		Spring - Hi Speed Needle
18	530035142		Needle - Hi Speed
19	530035028		Pin - Metering Lever Included in Carburetor Kwik Repair Kit.
20	530035016		Screw - Metering Lever Pin
21	530035147		Gasket - Circuit Plate
22	530035042		Plate - Circuit
23	530035137		Screw - Circuit Plate Included in Carburetor Kwik Repair Kit.
24	530035151		Gasket - Metering Diaphragm
25	530035014		Diaphragm Assembly - Metering
26	530035153		Screw Assembly - Metering Cover & Throttle Shaft Clip
27	530035149		Cover - Metering Diaphragm
28	530035185		Kit - Carb. Kwik Repair Kit
29	530035186		Kit - Carb. Gasket / Diaphragm

XR-50A Gas Trim Page 2 of 9  
CARBURETOR ASSEMBLY

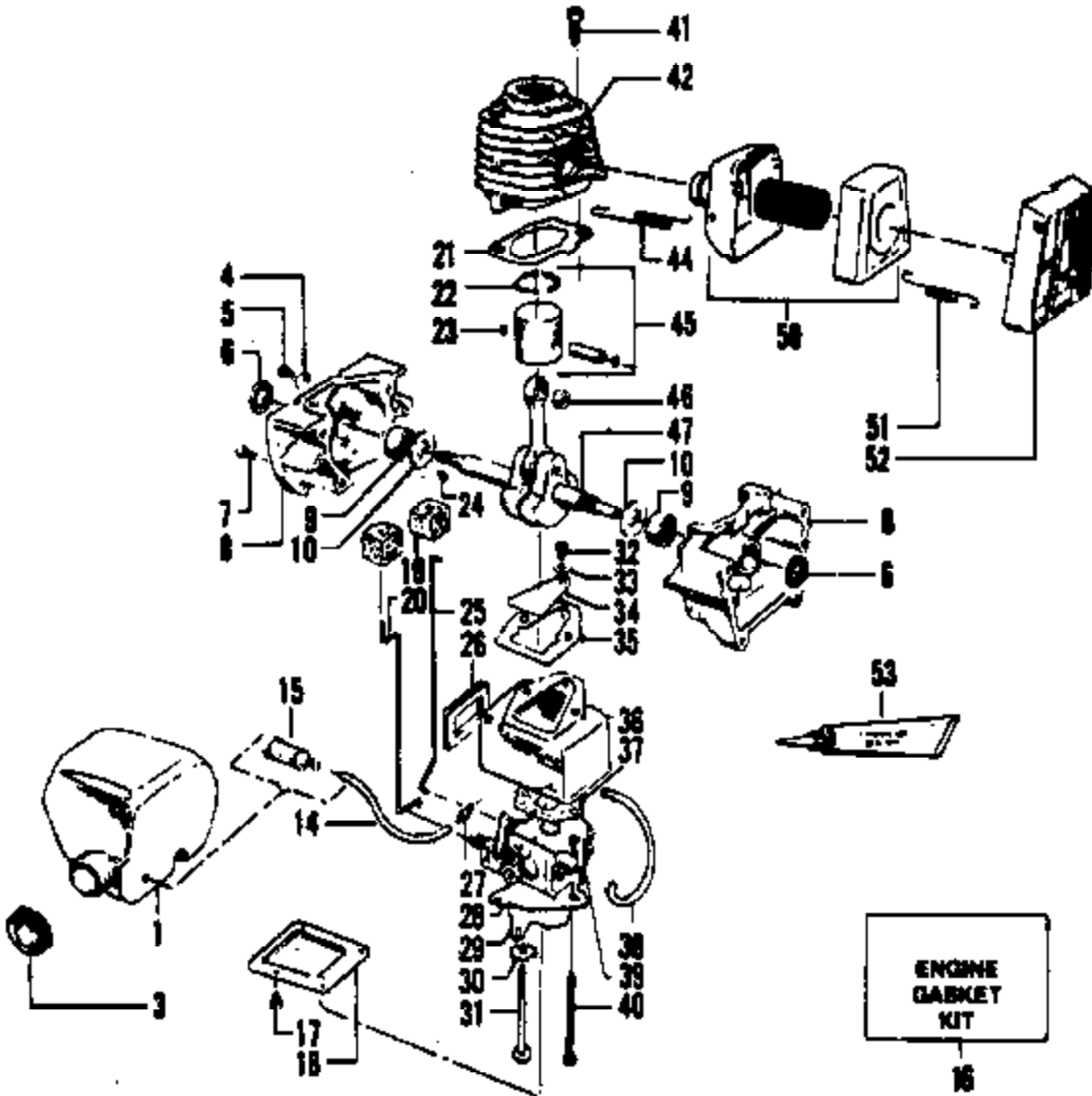
**⚠ WARNING**

All repairs, adjustments and maintenance not described in the Operator's Manual must be performed by a qualified service dealer to avoid creating a hazard.



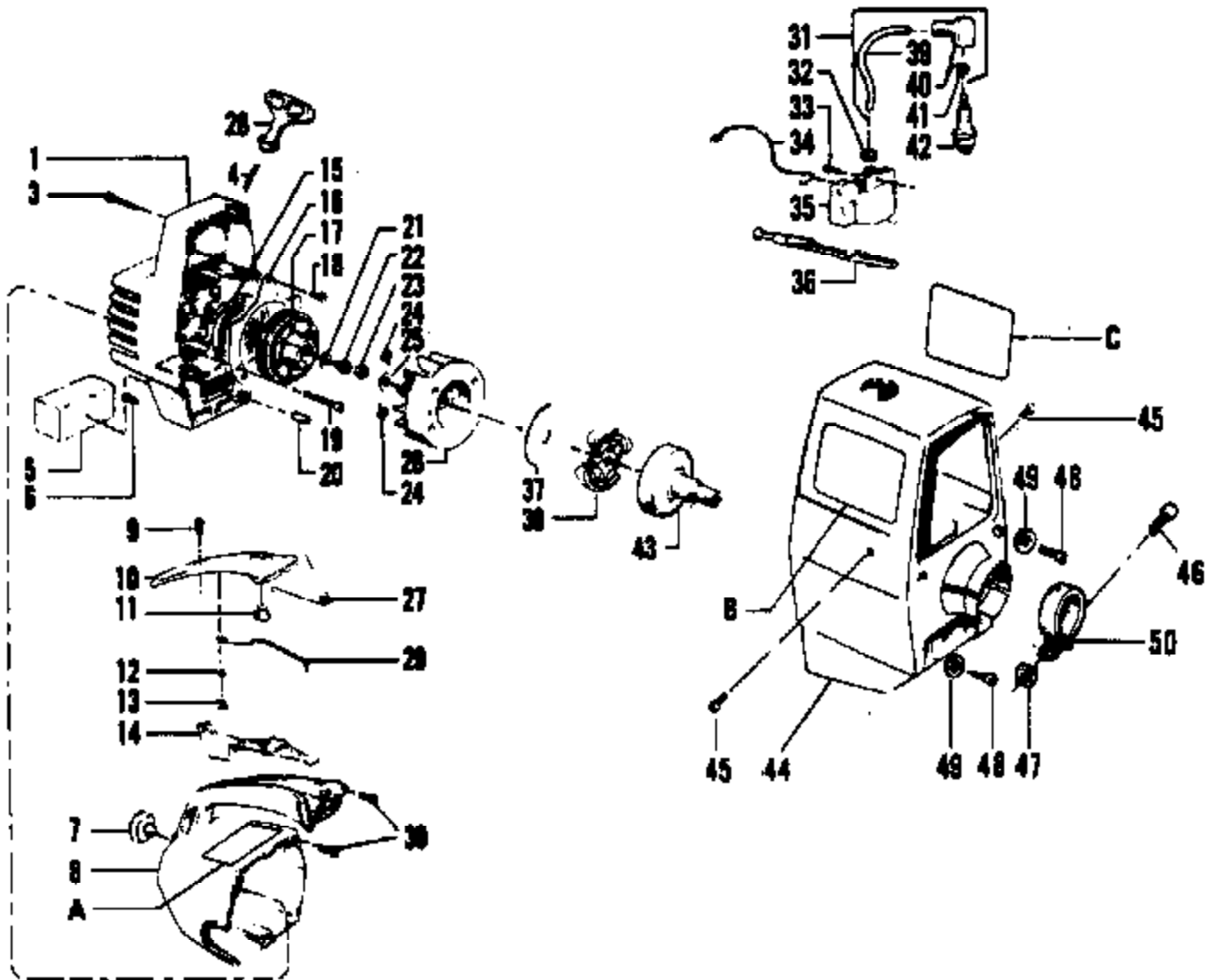
Ref #	Part Number	Qty	Description
1	952701605		Cutting Head Assembly
3	530094592		Hub-Ass'y.
5	952701607		Spool w/Line
7	530094494		Cover
10	530093653		Bracket-Shield
11	530092243		Screw-Shield (1/4-10x1-1/8")
12	530093716		Dust Cup
16	530069249		Shield Kit Assembly (Inc.11,22,23,24)
17	530010618		Assist Handle
18	530069252		"T" Handle Kit
19	530092062		Washer-1/4-Flat
20	530094439		Drive Shaft Assembly
21	530093936		Flex Shaft Assembly
22	530015337		Screw-Line Limiter
23	530094570		Line Limiter
24	530015217		Nut-Line Limiter
25	530015197		Nut
26	530030102		Shaft Lubrication
A	530027430		Decal-Safety Label
	530067067		Operator's Manual

XR-50A Gas Trimmer Page 4 of 9  
 Flex Shaft Assembly  
 CUTTING HEAD & DRIVE SET



Ref #	Part Number	Qty	Description
1	530010776		Fuel Tank Ass'y. (Inc.3, 14, 15 & 27)
3	530010729		Fuel Cap Assembly (Incl. O-Ring)
4	530024651		Clamp-Choke Wire
5	530015004		Screw-8-32x5/16-Pan Hd. Choke Rod Clamp
6	530019059		Seal-Crankcase Included in Engine Gasket Kit.
7	530015369		Screw-Crankcase
8	530010757		Crankcase Assembly (Inc.6, 9 & Qty. 4 of #7)
9	530032029		Bearing-Crankcase Included in Engine Gasket Kit.
10	530015351		Washer-Thrust-Crankcase
14	530069247		Line Kit
15	530010897		Fuel Pick-up Assembly
16	530069219		Kit-Engine Gasket
17	530015235		Screw-8-18x9/16-Pan Hd.-Carburetor Case Cover
18	530026029		Cover-Carburetor Case
19	530023373		Boot-Throttle-Choke Wire Included in Engine Gasket Kit.
20	530026236		Choke Wire
21	530019111		Gasket-Cylinder Included in Engine Gasket Kit.
22	530027369		Ring-Piston
23	530015162		Retainer-Wrist Pin
24	530015126		Key-Flywheel
25	530024902		Throttle Wire
26	530019105		Seal-Carburetor Case Included in Engine Gasket Kit.
27	530026981		Fuel Line Fitting
28	530026237		Choke Wire Guide Plate
29	530024558		Choke Shutter
30	530015254		Washer-Wave
31	530015404		Screw-10-24x2-1/8"-Fil. Hd.-Carburetor Shoulder
32	530015241		Screw-6-19-5/16"-Pan Hd.-Reed Valve
33	530023367		Washer-Reed Valve Screw
34	530024438		Reed Valve
35	530019108		Gasket-Carburetor Case to Crankcase Included in Engine Gasket Kit.
36	530024409		Carburetor Housing
37	530019157		Gasket-Carburetor Included in Engine Gasket Kit.
38	530069238		Line Kit
39	530035183		Carburetor
40	530015379		Screw-10-24x1-7/8"-Fil. Hd.-Carburetor
41	530015239		Screw-1/4-20x3/4"-Hex Shocket Hd.-Cylinder
42	530012190		Cylinder
44	530024903		Spring-Muffler Detachment
45	530069240		Piston Kit (Incl.#22, 23 & Pin)
46	530032092		Bearing-Wrist Pin
47	530010844		Crankshaft & Rod Assembly (Inc.46)
50	530069243		Muffler Ass'y.
51	530024932		Spring-Muffler Guard
52	530024855		Guard-Muffler
53	530030054		Sealant-Crankcase (Not Supplied with Unit)

XR-50A Gas Trim Page 6 of 9  
POWER UNIT



Ref #	Part Number	Qty	Description
1	530069178		Fan Housing Kit
3	530015706		Screw-10-16 x 1-5/8"-Plastite Fan Housing-Top
4	530069231		Rope Kit
5	530024371		Air Filter
6	530015582		Screw-10-24x5/8"-Sems-Fan Housing-Bottom
7	530024436		Bumper-Fuel Tank Housing
8	530024656		Handle & Fuel Tank Housing
9	530015247		Screw-8-16x3/4" - Pan Hd.-Handle Cover
10	530024661		Handle Cover
11	530026679		Kill Switch Button
12	530015412		Washer
13	530015407		Screw-8-16x3/8"-Pan Hd.-Kill Switch
14	530024365		XR-50A Gas Trim Page 8 of 9 Throttle Trigger
15	530042067		STARTER & SHROUD Starter Recoil Spring
16	530026035		Air Baffle
17	530026048		Starter Pulley
18	530015544		Screw #10-24x3/8"-Pan Hd.-Air Baffle If your unit has been serviced with the metal fan housing, use P/N 15373-10-24xl/4-Fil.HD. instead of 13544, and P/N 15305 10-24xl-3/16 Fil. HD. instead of P/N 15563.
19	530015563		Screw-#10-24x1-3/16"-Plastite If your unit has been serviced with the metal fan housing, use P/N 15373-10-24xl/4-Fil.HD. instead of 13544, and P/N 15305 10-24xl-3/16 Fil. HD. instead of P/N 15563.
20	530026122		Spacer-Air Baffle
21	530015123		Washer-Starter Pulley
22	530015479		Screw-#10-24x3/4"-Hex Washer Hd.-Starter Pulley
23	530626605		Nut-Flywheel
24	530042059		Spring-Starter Dog
25	530015127		Washer-Flywheel
26	530039114		Flywheel Assembly (Inc.24)
27	530024461		Trigger Spring
28	530026735		Starter Handle
29	530024407		Kill Switch Spring
30	530015367		Screw-10-14x3/4"-Pan Hd.-Fan Hsg. to Handle and Fuel Tank
31	502039103		High Tension Lead Ass'y (Inc.39, 40, & 41)
32	530024435		Grommet-Plug Wire
33	530015128		Screw-8-32x3/4"-Fil. Hd.-Ignition Module
34	530024158		Lead Wire-Switch
35	530069181		Module Kit
36	530024303		Choke Knob
37	530069196		Clutch Washer Kit
38	530069194		Clutch Ass'y Kit (Incl. Clutch Washer)
39	530039082		High Tension Lead Wire
40	530003934		Spark Plug Boot
41	530003933		Connector-Spark Plug Lead
42	530030077		Spark plug
43	530010797		Coupling and Bearing Assembly
44	530026547		Shroud
45	530015590		Screw
46	530015609		Bolt
47	530015610		Nut
48	530015163		Screw



---

Ref #	Part Number	Qty	Description
49	530015274		Washer
50	530026560		Shroud Clamp
A	027633		Decal-Starting Instructions
B	530027645		Decal-Shroud (Right)
C	530027646		Decal-Shroud (Left)

---

XR-50A Gas Trimmer Page 9 of 9  
STARTER & SHROUD