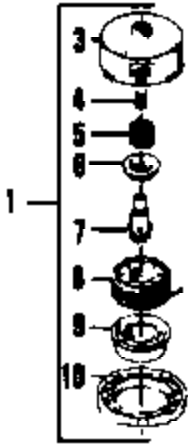


Ref #	Part Number	Qty	Description
1	530035017		Screw - Pump Cover
2	530035154		WA - 79
2	530035191		WA - 149 (#35183)
3	530035135		Diaphragm - Pump (WA - 79 Only)
4	530035156		Screw - Idle Adjustment
5	530035009		WA - 79 Included in Carburetor Kwik Repair Kit.
5	530035164		WA - 149 (#35183) Included in Carburetor Kwik Repair Kit.
6	530035178		Screen Inlet
7	530035152		WA - 79
7	530035166		WA - 149 (#35183)
8	530035133		Valve - Throttle
9	530035007		Clip - Throttle Shaft
10	530035138		Spring - Throttle Return
11	530035015		Screw - Throttle Valve Included in Carburetor Kwik Repair Kit.
12	530035132		Shaft Assembly - Throttle
13	530035023		Spring - Idle Needle
14	530035141		Needle - Idle
15	530035139		Spring - Metering Lever Included in Carburetor Kwik Repair Kit.
16	530035106		Valve - Inlet Needle Included in Carburetor Kwik Repair Kit.
17	530035031		Lever - Metering Included in Carburetor Kwik Repair Kit.
18	530035036		Spring - Hi Speed Needle
19	530035142		Needle - Hi Speed
20	530035028		Pin - Metering Lever Included in Carburetor Kwik Repair Kit.
21	530035016		Screw - Metering Lever Pin
22	530035147		Gasket - Circuit Plate
23	530035042		Plate - Circuit
24	530035137		Screw - Circuit Plate Included in Carburetor Kwik Repair Kit.
25	530035151		Gasket - Metering Diaphragm
26	530035014		Diaphragm Assembly - Metering
27	530035153		Screw Assembly - Metering Cover & Throttle Shaft Clip
28	530035149		Cover - Metering Diaphragm
29	530035144		WA - 79
29	530035185		WA - 149 (#35183)
30	530035145		WA - 79 Included in Carburetor Kwik Repair Kit.
30	530035186		WA - 149 (#35183) Included in Carburetor Kwik Repair Kit.

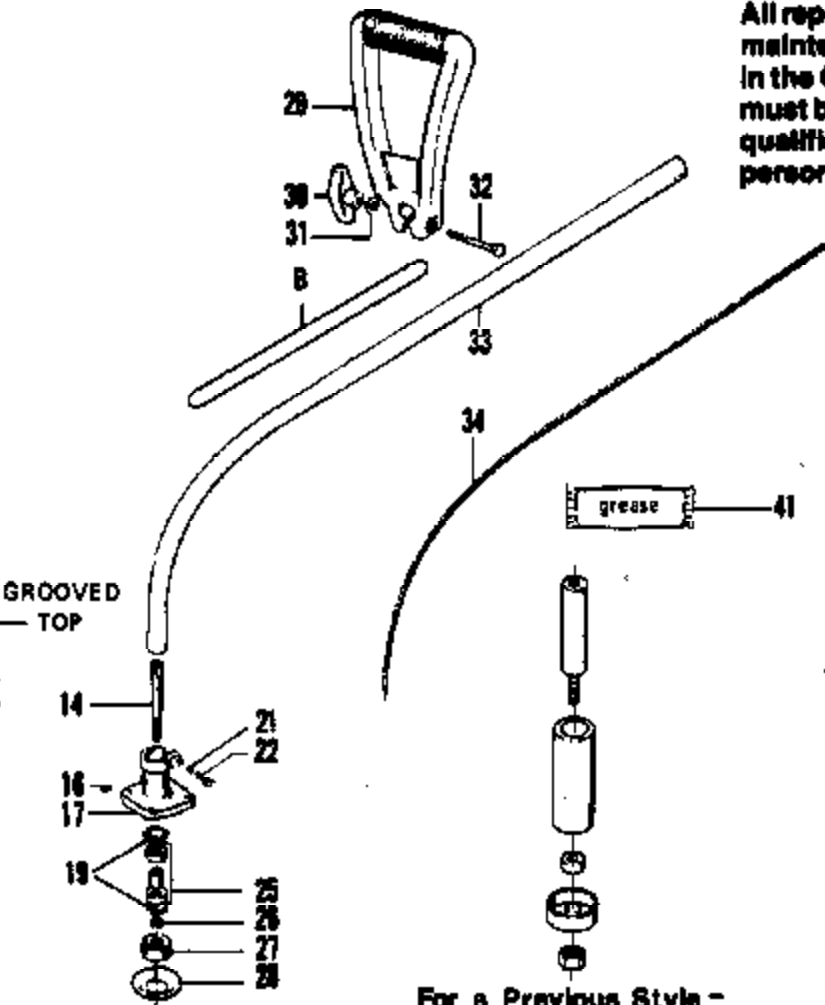
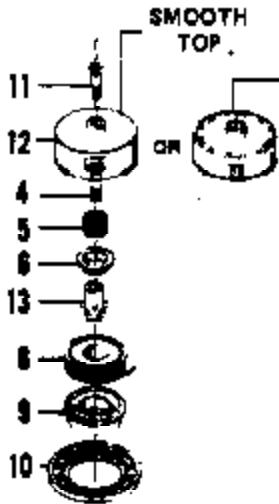
XR-50 Gas Trim Page 2 of 14
 CARBURETOR WA-149-W

⚠ WARNING
 All repairs, adjustments and maintenance not described in the Operator's Manual must be performed by qualified service personnel.

CURRENT STYLE



PREVIOUS STYLE



Previous Style



Type 1 & 2

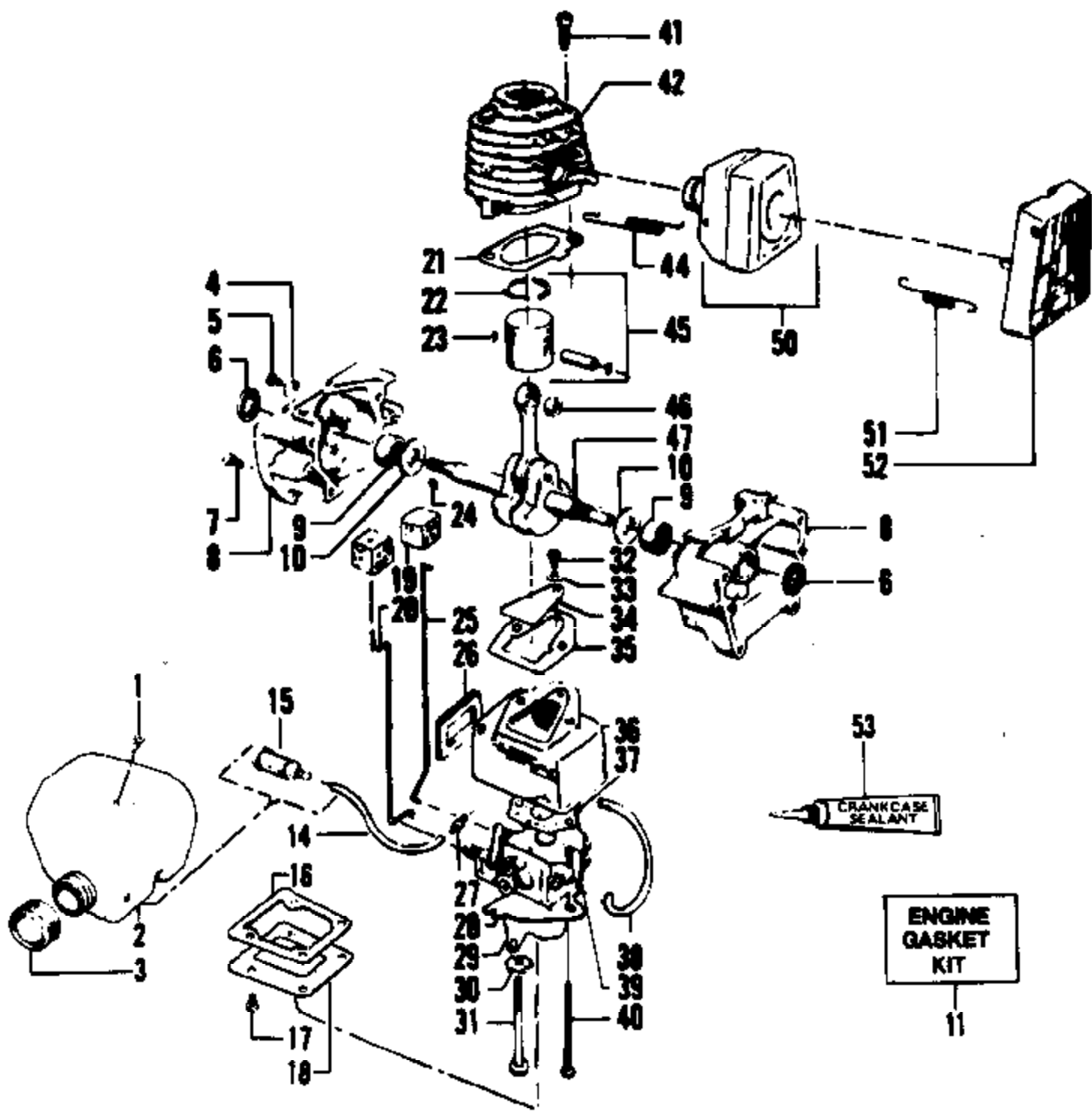


Type 3 & 4

For a Previous Style -
 See Service Reference 11

Ref #	Part Number	Qty	Description
1	530093894		Cutting Head Ass'y. - Current Style (Incl. #3-10)
3	530093896		Hub w/Line Saver - Current Style
4	530093898		Line Saver
5	530092067		Spring
6	530092068		Adaptor - Spring
7	530093897		Drive Gear - New Style
8	952701523		Spool w/Line
9	530093387		Release Button
10	530092133		Cover
11	530092064		Bolt - Drive Adaptor - Previous Style
12	530092131		Hub w/Line Saver - Previous Style See Service Reference 6.
13	530092069		Drive Gear - Previous Style
14	530093846		Shaft Arbor Type 1 Only
16	530015518		DRIVE SHAFT & CUTTING SCREW - 5/16 - Self Tapping
17	530093214		Bearing Housing Ass'y - (Inc. #14,19, 21,22,25-27) Type 1 See Ser. Ref. 11
19	530091783		Retainer - Bearing
21	530092227		Washer - 1/4 Int. Tooth Lock - Type 1 Only
22	530625509		Screw - Pinch Clamp - Type 1 Only
25	530069086		Bearings & Spacer Kit - Type 1 Only
26	530092216		Washer - 3/8 - Dust Cup - Type 1 Only
27	530092359		Type 1
27	530093716		Type 2, 3 & 4
28	530092218		WASHER, GRASS Z
	920092218		SCREW KAAZ #
29	530010618		Model XR-50
29	530092063		Model XR-70
30	530092059		Knob - 1/4 20 - Model XR-70
31	530092062		Washer - 1/4 Flat
32	530015737		Hex Bolt - 1/4 - 20x1 - 1/2
33	530093727		Drive Shaft Hsg., Previous Style (Incl. #40) Model XR-50
33	530093728		Drive Shaft Hsg., Previous Style (Incl. #40) Model XR-70
33	530093858		Drive Shaft Hsg., Previous Style (Incl. #40) Model XR-50 - Type 1
33	530093940		Drive Shaft Hsg., Previous Style (Incl. #40) Model XR-50 - Type 2
33	530094439		Drive Shaft Hsg., Previous Style (Incl. #40) Model XR-50 - Type 3 & 4
33	530093726		Drive Shaft Hsg., Previous Style (Incl. #40) Model XR-70 - Type 1
34	530092054		Model XR-50 - Type 1
34	530093936		Model XR-50 - Type 2, 3 & 4
34	530092261		Model XR-70
40	530024406		Collar Nut Collar Nut Style (Incl. #40)
41	530030102		Flex Shaft Lube
B	530027430		Decal-Safety Label
0	952701569		Tap-N-Go Repair Kit - Old Style Cutting Head (Incl. #5, 6, 8-13)
0	530064962		Operator's Manual Model XR-70
0	530066904		Operator's Manual Model XR-50
0			Carton
0			Model XR-70

XR-50 Gas Trim Page 4 of 14
 DRIVE SHAFT & CUTTING

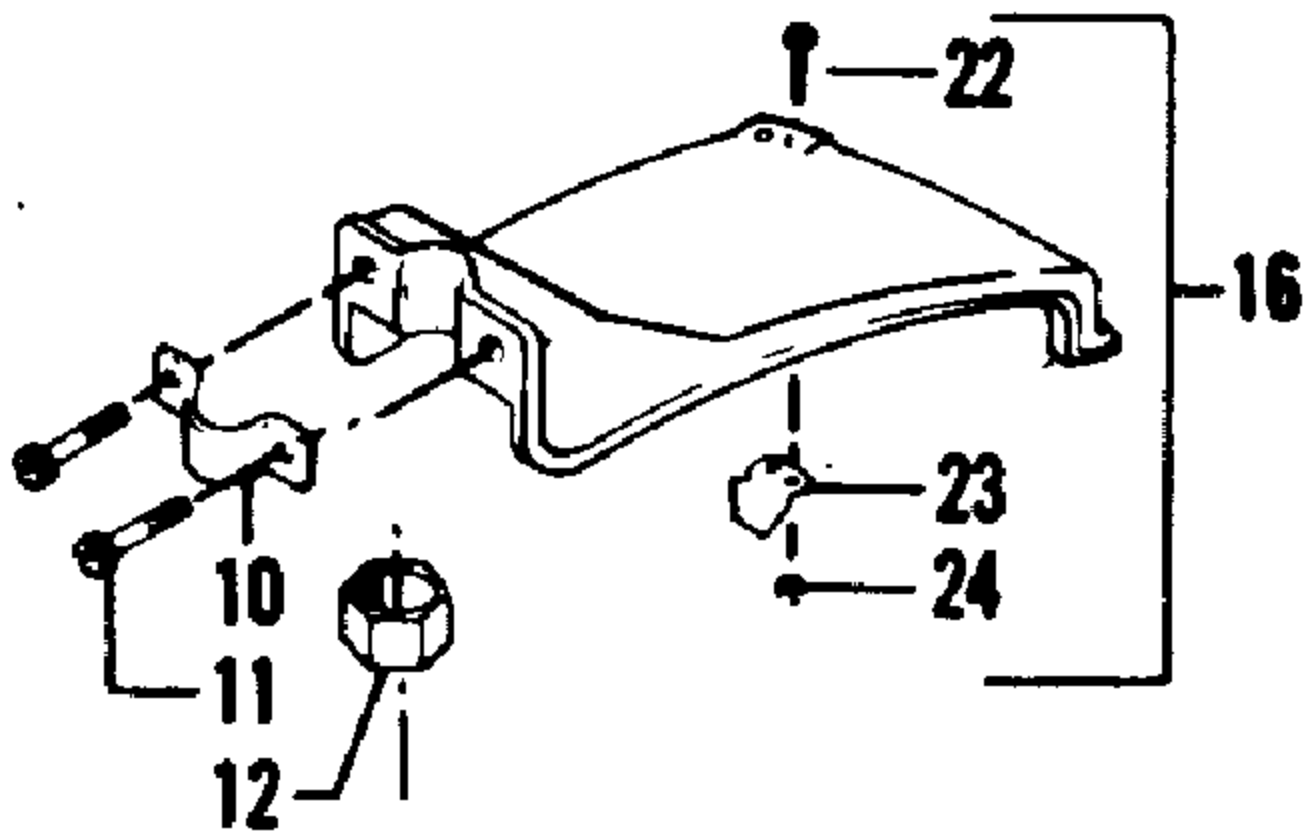


Ref #	Part Number	Qty	Description
1	530026119		Check Valve - Duck Bill
2	530010776		Fuel Tank Assembly (Incl. #1, 3, 14 & 15)
3	530010729		Fuel Cap Assembly
4	530024651		Clamp - Choke Wire
5	530015004		Screw - 8 - 32x5/16 - Pan Hd. - Choke Rod Clamp
6	530019059		Seal - Crankcase
7	530015369		Screw - Crankcase
8	530010757		Crankcase Assembly (Incl. #4, 9 & Qty. 1 of #7)
9	530032029		Bearing - Crankcase
10	530015351		Washer - Thrust - Crankcase
11	530069219		Kit - Engine Gasket
14	530021042		Fuel Line - Type 1, 2 & 3
14	530069247		Line Kit - Type 4
15	530091878		Type 1, 2 & 3
15	530010897		Type 4
16	530019112		Gasket - Carburetor Case Cover - ModelS XR-50,XR-70 Type 1
17	530015235		Screw - 8 - 18x9/16" - Pan Hd. - Carb. Case Cover
18			Cover - Carburetor Case, Models XR-50,XR-70 Type 1 - See Ser. Ref. 4
18	530026029		Model XR-50 Type 2, 3 & 4
19	530023373		Boot - Throttle - Choke Wire
20			Choke Wire, Models XR-50,XR-70 Type 1 - See Ser. Ref. 4
20	530026236		Model XR-50 Type 2, 3 & 4
21	530019111		Gasket - Cylinder
22	530024302		Type 1, 2 & 3
22	530027369		Type 4
23	530015162		Retainer - Wrist Pin
24	530015126		Key - Flywheel
25	530024902		Throttle Wire
26	530019105		Seal - Carburetor Case
27	530025472		Type 1, 2 & 3
27	530026981		Type 4
28			Choke Wire Guide Plate, Models XR-50,XR-70 Type 1 See Ser. Ref. 4
28	530026237		Model XR-50 Type 2, 3 & 4
29	530024558		Choke Shutter
30	530015254		Washer - Wave
31	530015404		Screw - 10 - 24x2-1/8" - Fil. Hd. - Carb. Shoulder
32	530015241		Screw - 6 - 19x5/16" -Pan Hd. - I. - Reed Valve
33	530023367		Washer - Reed Valve Screw
34	530024438		Reed Valve
35	530019108		Gasket - Carburetor to Crankcase
36	530024409		Carburetor Housing
37	530019115		Gasket - Carburetor
38	530069238		Line Kit
39	530035183		Carburetor - (See Ser. Ref. 2, for Models XR-50,XR-70 Type 1 only)
40	530015379		Screw - 10 - 24x1-7/8" - Fil. Hd. - Carburetor
41	530015239		Screw - 1/4 - 20x3/4" - Hex Socket Hd. Cylinder
42	530012070		Cylinder
44	530024903		Spring - Muffler Detachment
45	530022198		Type 1, 2 & 3
45	530069240		Type 4

XR-50 Gas Trim Page 6 of 14
POWER UNIT

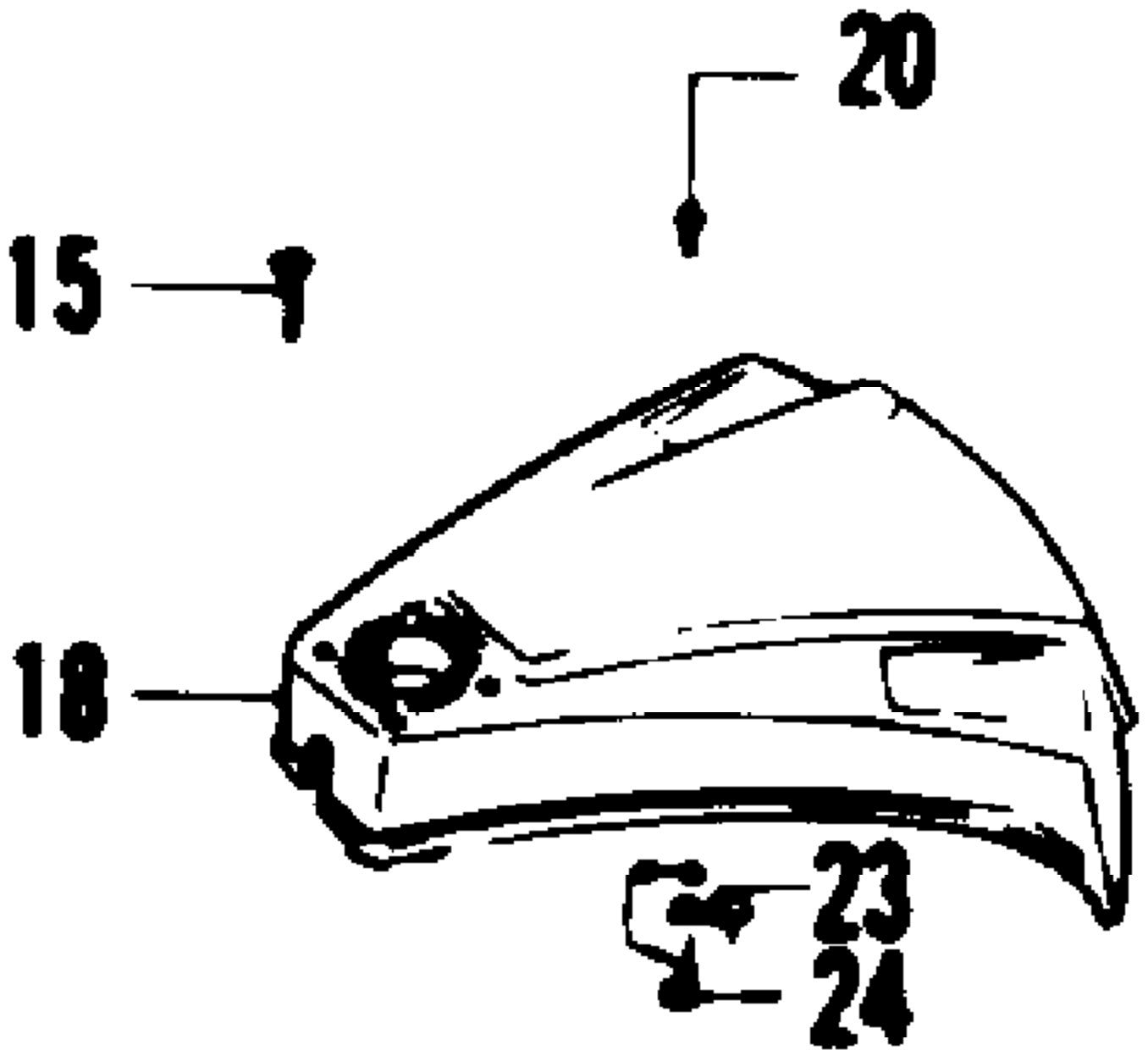
Ref #	Part Number	Qty	Description
46	530032057		Type 1, 2 & 3
46	530032092		Type 4
47	530026675		Type 1 & 2
47	530010858		Type 3
47	530010844		Type 4
51	530024932		Spring - Muffler Guard
52	530024855		Guard - Muffler
53	530030054		Sealant - Crankcase (Not Supplied with Unit)

XR-50 Gas Trimmer Page 7 of 14
POWER UNIT



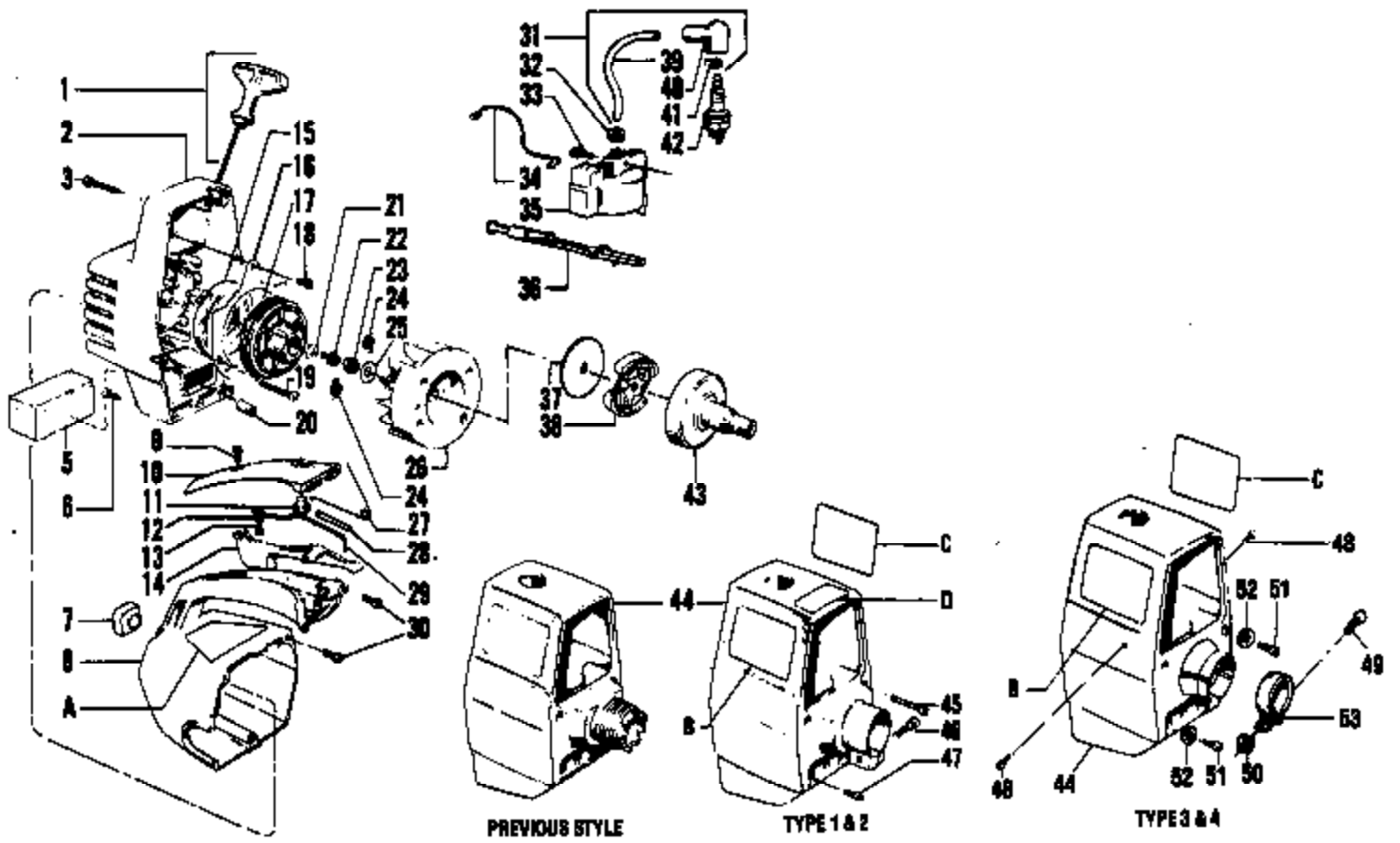
Ref #	Part Number	Qty	Description
10	530093653		Shield Bracket
11	530092243		Bolt
12	530093716		Dust Cup
16	530069213		Shield Ass'y.
22	530015337		Screw
23	530093853		Line Limiter
24	530015064		Nut
10	530093653		Shield Bracket
11	530625567		Screw
14	530001642		Lockwasher
15	530001615		Nut
16	530069213		Shield Ass'y.

XR-50 Gas Trim Page 9 of 14
SHIELD ASS'Y & LINE LIMIT



Ref #	Part Number	Qty	Description
15	530092243		Screw
18	530092362		14" - Model XR-50
18	530093885		17" - Model XR-50,XR-70
18	530093886		18" - Model XR-70
20	530015037		Screw
24	530015064		Nut
35	530092049		Wing Nut
36	530092051		Hex Nut
37	530091981		14" & 17"
38	530092046		Line Limiter
39	530092045		Screw

XR-50 Gas Trim Page 11 of 14
SHIELD ASS'Y & LINE LIMIT



Ref #	Part Number	Qty	Description
1			Rope & Handle - Starter, Models XR-50,XR-70 Type 1 - See Ser. Ref. 3
1			Rope & Handle - Starter, Model XR-50 Type 2, 3 & 4 See Ser. Ref.10
2	530069178		Fan Housing (Incl. #16, 18, 19, 20 & 28) See Service Ref. 8
5	530024371		Air Filter
7	530024436		Bumper - Fuel Tank Housing
8	530024656		Handle and Fuel Tank Housing
9	530015247		Screw - 8 - 16x3/4" - Pan Hd. - Handle Cover
10	530024661		Handle Cover
11	530026679		Button - Kill Switch
12	530015412		Washer - Kill Switch
13	530015407		STARTER & SHROUD - Screw - 8 - 16x3/8"-Pan Head -
14	530024365		Trigger - Throttle
15			Starter Recoil Spring -, Models XR-50,XR-70 Type 1 - See Ser. Ref. 3
15	530042067		Models XR-50 Type 2, 3 & 4
16	530026035		Air Baffle
17			Starter Pulley (Incl. #21), Models XR-50,XR-70 Type 1 - See Ser. Ref. 3
17	530026048		Starter Pulley (Incl. #21), Model XR-50 Type 2, 3 & 4
20	530026122		Spacer
21	530015123		Washer - Starter Pulley
23	530626605		Nut - Flywheel - 5/16x24" - Fil. Hd.
24	530042059		Spring - Starter Dog
25	530015127		Washer - Flywheel
26	530039114		Flywheel Assembly (Incl. #24)
27	530024461		Trigger Spring
28	530021036		Insulation - Switch Spring
29	530024407		Spring - Kill Switch
30	530015367		Screw - 10 - 14x3/4" Pan Head Fan Hsg. to Handle & Fuel Tank
31	502039103		REP BY 502271102
	530039103		HIGH TENSION LEAD Z
32	530024435		Grommet - Plug Wire
33	530015128		Screw - 8 - 32x3/4-Fil. Hd. -Ignition Module
34	530024158		Lead Wire - Switch
35	530069181		Kit - Ignition Module
36	530024303		Knob - Choke
37	530069196		Kit - Clutch - Washer
38	530069194		Kit - Clutch Ass'y (Inc. Clutch Washer) See Ser. Ref.7, (For XR-50,XR-70 Type 1 Ref #1)
39	530039082		High Tension Lead Wire
40	530003934		Boot - Spark Plug
41	530003933		Connector - Spark Plug Lead
42	530030077		Spark Plug - CJ-14
43	530010797		Coupling and Bearing Assembly
44	530011641		Previous Style
44	530011778		Type 1 & 2
44	530026547		Type 3 & 4
45	530015376		Screw - Shroud (Top) - Type 1 & 2
46	530093802		Bolt - Pinch Clamp - Type 1 & 2
47	530015168		Screw - Shroud (Bottom) - Type 1 & 2

Ref #	Part Number	Qty	Description
48	530015590		Screw - Type 3 & 4
49	530015609		Bolt - Type 3 & 4
50	530015610		Nut - Type 3 & 4
51	530015163		Screw - Type 3 & 4
52	530015274		Washer - Type 3 & 4
53	530026560		Clamp - Shroud - Type 3 & 4
A	530026442		Models XR-50,XR-70 - Type 1
A	530026636		Model XR-50 Type 2
A	530027345		Model XR-50 Type 3
A	530027452		Model XR-50 Type 4
B	530024583		Model XR-50
B	530024585		Model XR-70
C	530024584		XR-50 Gas Tip, Page 14 of 14
C	530024584		Model XR-50
D	530024586		STARTER & SHROUD
D	530024592		Model XR-70
			Decal - Shroud (Top) - Model XR-7Q