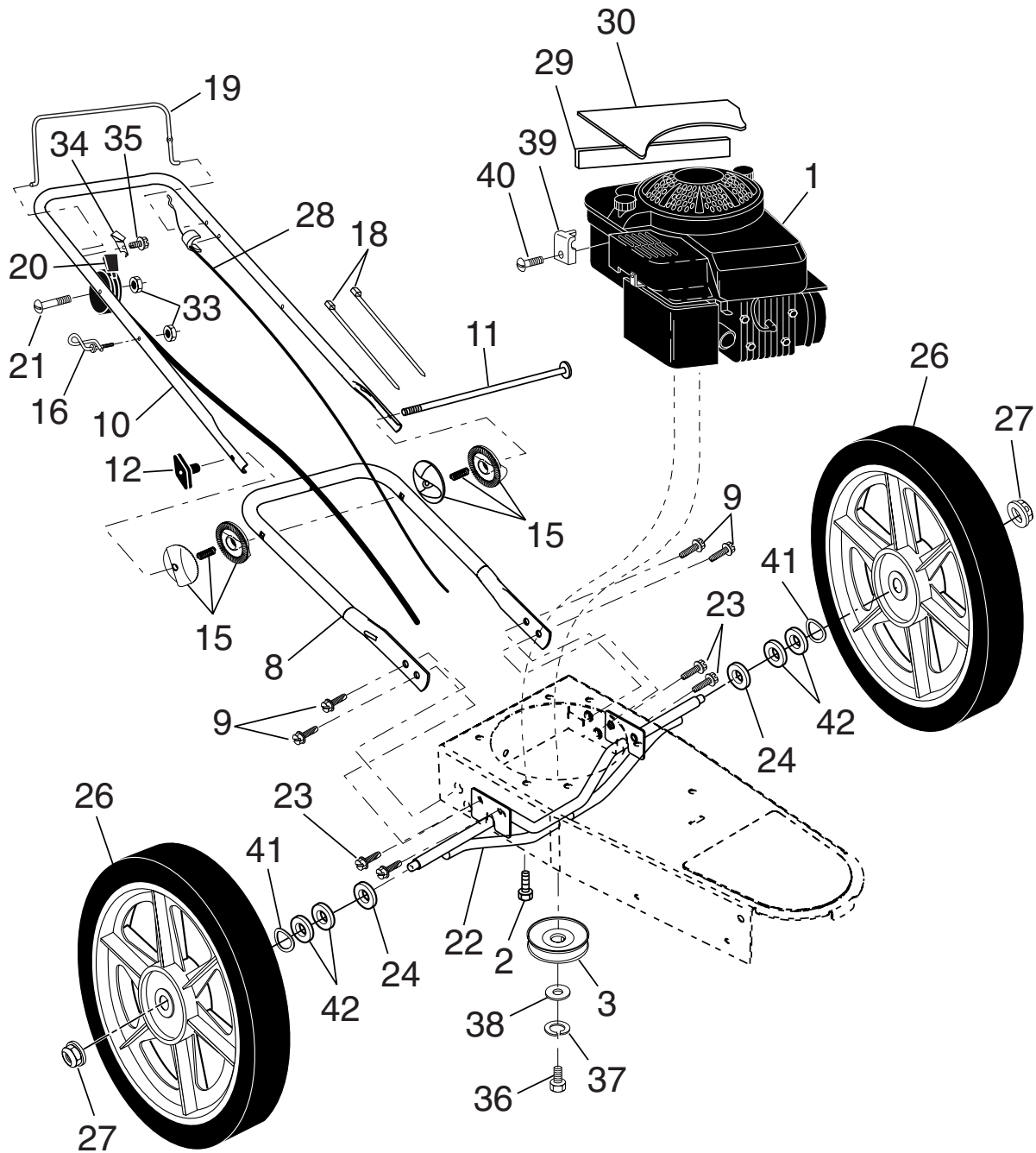


WHEELED WEEDTRIMMER - - MODEL NUMBER WT6000
(MFG. ID. NUMBER 96176000101)

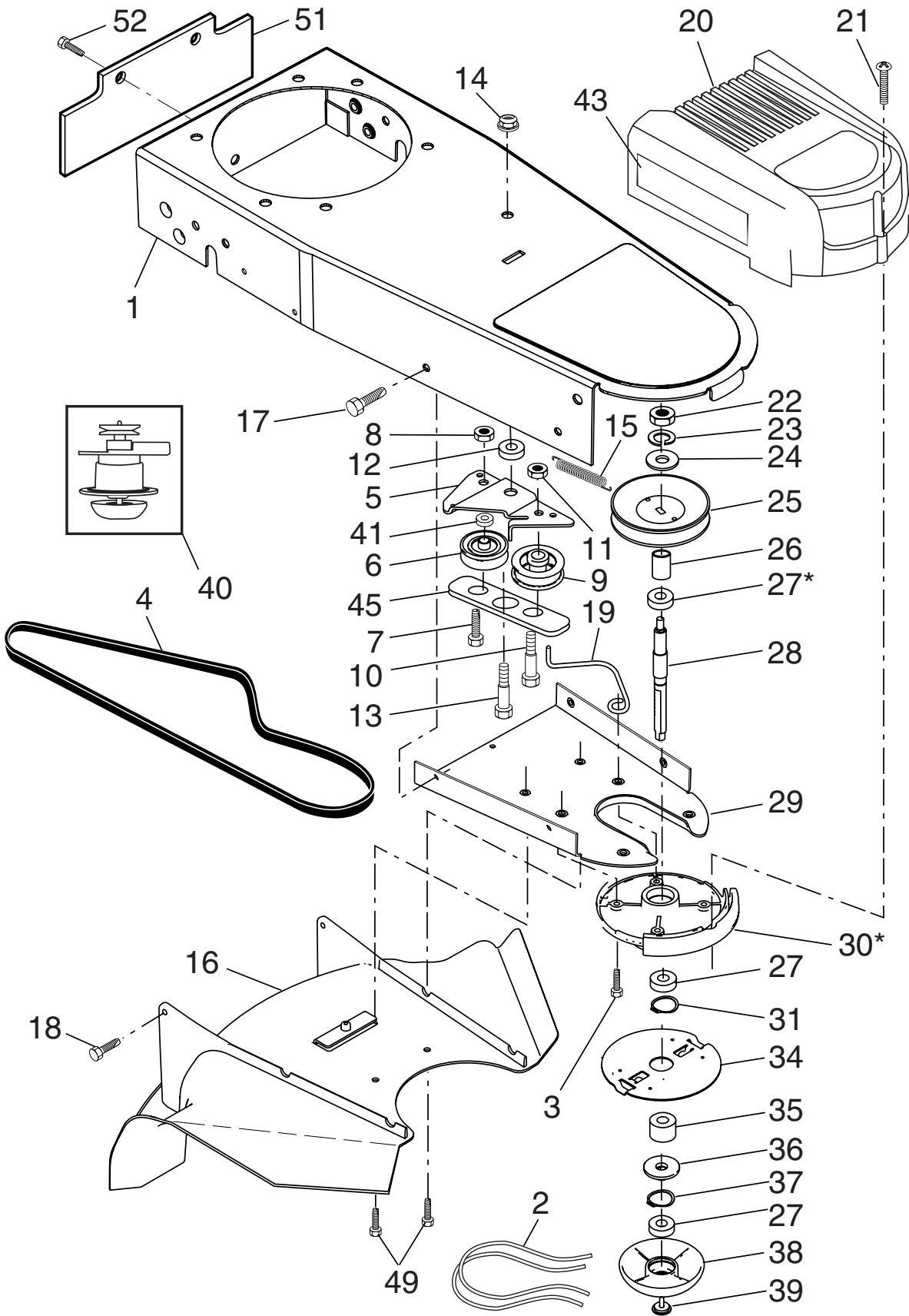


WHEELED WEEDTRIMMER - - MODEL NUMBER **WT6000** (MFG. ID. NUMBER 96176000101)

KEY NO.	PART NO.	DESCRIPTION
1	- - -	Engine, Briggs & Stratton, Model Number 128H02 (For engine service and replacement parts, call Briggs & Stratton at 1-800-233-3723)
2	150406	Bolt, Engine Mounting 3/8-16
3	179466	Pulley, Engine (Includes Setscrew, Key #4)
8	169821X479	Handle, Lower
9	150078	Screw, Hex Washer Head 5/16-18 x .75
10	169797X479	Handle, Upper
11	170980	Bolt, Handle
12	189713X428	Knob, Handle
15	179751	Handle Adjuster Assembly
16	194788	Guide, Rope
18	66426	Wire Tire
19	176983	Control Bar
20	177814	Throttle Control
21	158755	Screw, Hex Washer Head
22	178700X004	Axle Shaft Assembly
23	150078	Screw, Hex Washer Head 5/16-18 x .75
24	52160	Washer, Axle
26	405828	Wheel, 14 x 2
27	83923	Nut, Hex, Flangelock 3/8-16
28	181699	Drive Control Cable
29	178365	Decal, Warning
30	178364	Decal, Engine Cover
33	132004	Nut
34	86899X004	Bracket, Upstop
35	750634	Screw, Threaded, Rolled #10-24 x 5/8
36	851084	Bolt, Hex Head
37	850263	Washer, Lock
38	851074	Washer, Flat, Hardened
39	111190X	Clamp, Cable
40	83816	Screw
41	19171730	Washer
42	146630	Spacer
--	177817	Operator's Manual, English
--	405791	Operator's Manual, Spanish
--	405829	Repair Parts Manual

NOTE: All component dimensions given in U.S. inches. 1 inch = 25.4 mm
IMPORTANT: Use only Original Equipment Manufacturer (O.E.M.) replacement parts.
 Failure to do so could be hazardous, damage your lawn mower and void your warranty.

WHEELED WEEDTRIMMER - - MODEL NUMBER WT6000
(MFG. ID. NUMBER 96176000101)



WHEELED WEEDTRIMMER - - MODEL NUMBER **WT6000** (MFG. ID. NUMBER 96176000101)

KEY NO.	PART NO.	DESCRIPTION
1	174031X550	Chassis Assembly
2	182133	Line, .155 diameter x 18.75 long
3	173715	Screw, Self-Tapping 5/16-18 x 1
4	185476	V-Belt
5	172145X004	Bracket, Idler
6	166042	Pulley, Idler, V-Groove
7	173716	Bolt, Hex Head 3/8-16 x 1.25
8	751592	Locknut 3/8-16
9	166043	Pulley, Idler, Flat
10	160829	Shoulder Bolt
11	155552	Locknut 5/16-18
12	173717	Spacer
13	174719	Bolt, Shoulder
14	145212	Locknut, Flange
15	173811	Spring, Return
16	180268	Deflector, Bottom
17	57808	Screw 1/4-20 x 1/2
18	178848	Screw #10-24 x 3/4
19	187336	Belt Keeper
20	178390	Chassis Cover, Top
21	149746	Screw #10-24 x 1-3/4
22	73800600	Nut 3/8-24UNF
23	10040600	Lockwasher 3/8
24	19131316	Flatwasher 3/8
25	180340	Pulley, Driven
26	172551	Spacer, Pulley
27	174549	Bearing, Upper
28	172603	Jackshaft
29	169766X479	Cover, Bottom
30	174543	Spindle Housing Assembly (Includes Upper Bearing, Key #27)
31	174581	Retaining Ring, 17mm, External
34	173531	Carrier Plate Assembly, Fixed
35	172635	Spacer
36	172516	Cover, Bearing
37	174580	Retaining Ring, 40mm, Internal
38	182217	Mow Ball Assembly (Includes Key Numbers 27 and 37)
39	180334	Bolt, Mow Ball
40	173619	Head Assembly, Complete (Includes Key #22-28 and #30-39)
41	174029	Spacer
43	174036	Decal, Instruction
45	174596X479	Bottom Belt Keeper
49	17060408	Screw
51	189006	Skirt
52	178848	Screw

NOTE: All component dimensions given in U.S. inches. 1 inch = 25.4 mm
IMPORTANT: Use only Original Equipment Manufacturer (O.E.M.) replacement parts.
 Failure to do so could be hazardous, damage your lawn mower and void your warranty.