

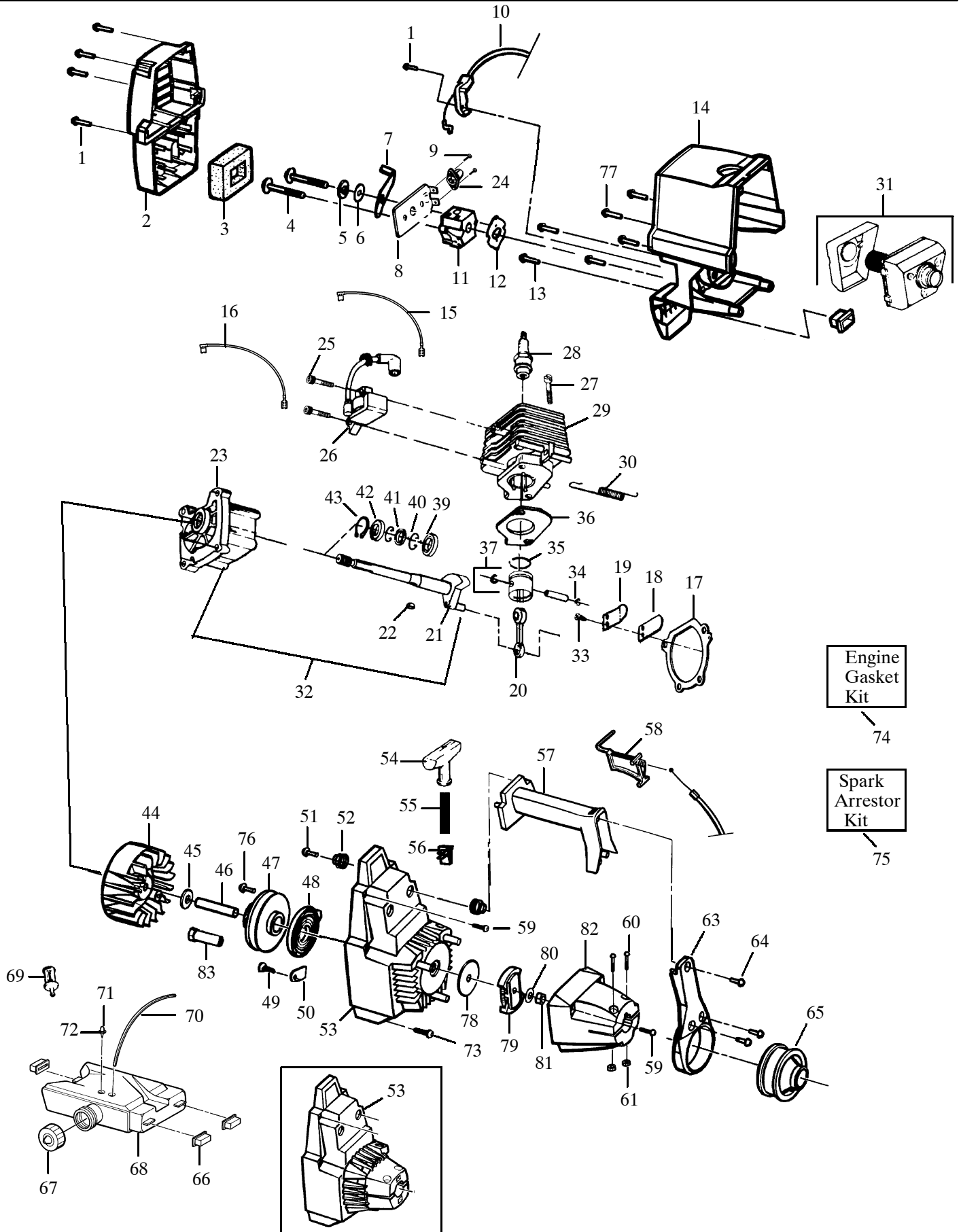
| Key No. | Part No. | Description | Key No. | Part No. | Description |
|---------|------------|---------------------------|-----------|------------|-----------------------------------|
| 1 | 530-094686 | Clamp Harness Ass'y. | 35 | 530-015793 | Nut |
| 2 | 530-092192 | Handlebar Cap | 36 | 530-031098 | Hex Wrench (3/16) |
| 3 | 530-015197 | Nut | 37 | 530-094417 | Shoulder Strap |
| 4 | 530-069252 | "T" Handle Ass'y. | 38 | 952-701611 | Weed Blade |
| 5 | 530-027778 | Handlebar Warning Decal | 39 | 530-094640 | Seal |
| 6 | 530-015791 | Screw | 40 | 530-015037 | Screw |
| 7 | 530-091783 | Retainer | 41 | 530-094570 | Line Limiter |
| 8 | 530-069086 | Bearing & Spacer Kit | 42 | 530-001543 | Nut |
| 9 | 530-092216 | Washer | 43 | 530-069256 | Shield Kit Ass'y. (Incl. 40-42) |
| 10 | 530-094572 | Handlebar Bracket | 44 | 952-701643 | Cutting Head Ass'y. (Incl. 45-52) |
| 11 | 530-092086 | Handlebar Grip | 45 | 530-093896 | Hub |
| 12 | 530-092359 | Dust Cup | 46 | 530-093898 | Line Saver |
| 13 | 530-010723 | Handlebar | 47 | 530-340007 | Spring |
| 14 | 530-094571 | Grass Washer | 48 | 530-092068 | Spring Adaptor |
| 15 | - | Drive Shaft | 49 | 530-093897 | Drive Gear |
| | 530-095146 | Model HP28P | 50 | 952-701589 | Spool w/ Line |
| | 530-094585 | Model HP30SBP | 51 | 530-093387 | Release Button |
| 16 | 530-029162 | Shaft Warning Decal-Upper | 52 | 530-092133 | Cover |
| 17 | 530-029163 | Shaft Warning Decal-Lower | 53 | 952-701657 | Cutting Head Ass'y. (Incl. 54-58) |
| 18 | 530-012207 | Handlebar Clamp | 54 | 530-014773 | Hub Ass'y. |
| 19 | - | Drive Shaft Housing | 55 | 530-094830 | Spring |
| | 530-014772 | Model HP28P | 56 | 530-094827 | Release Button |
| | 530-094684 | Model HP30SBP | 57 | 952-701619 | Spool w/Line |
| 21 | 530-027749 | Blade Direction Decal | 58 | 530-094828 | Cover |
| 22 | - | Screw | 59 | 530-069496 | Assist Handle Kit (Incl. 60 & 61) |
| | 530-015791 | (Use with metal shield) | 60 | 530-015610 | Nut |
| | 530-092243 | (Use with plastic shield) | 61 | 530-094742 | Clamp |
| 23 | 530-015328 | Lockwasher | Not Shown | | |
| 24 | 530-094612 | Screw | | | |
| 25 | 530-001711 | Screw | | | |
| 26 | 530-001642 | Lockwasher | | | |
| 27 | 530-031111 | Hex Wrench (5/32) | | 530-081850 | Operator's Manual Model HP28P |
| 28 | 530-094568 | Gear Box Ass'y. | | 530-081803 | Model HP30SBP |
| 29 | 530-094616 | Screw | | | Carton Contents Bag Model HP28P |
| 30 | 530-094627 | Shield | | 530-047125 | Model HP30SBP |
| 31 | 530-027615 | Shield Retention Plate | | 530-047124 | Model HP30SBP |
| 33 | 530-015792 | Washer | | | Carton |
| 34 | 530-015492 | Washer | | 530-085006 | Model HP28P |
| | | | | 530-061990 | Model HP30SBP |

↗ = Part Change

† = Engine Gasket Kit Contents

☆☆☆☆ = Service Reference

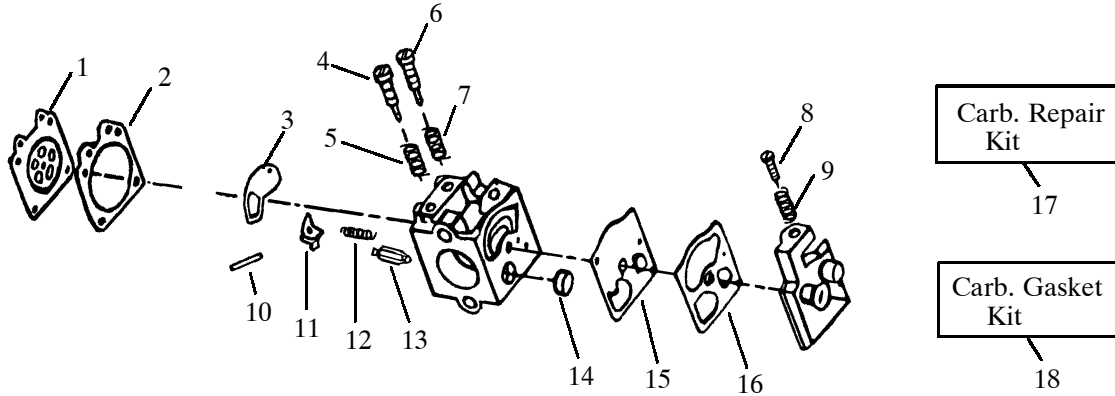
Note: Illustrations may differ from actual models due to design changes



| | | | |
|--|--------------------------------|-------------------------------|-----------------------------------|
| PARTS LIST NO. 530-082236 - 1/06/03 | | WEED EATER® PARTS LIST | Trimmer Models: HP28P, HP30SBP |
| Page No. 3 | REPLACES 530-082236-8/23/94 | | |

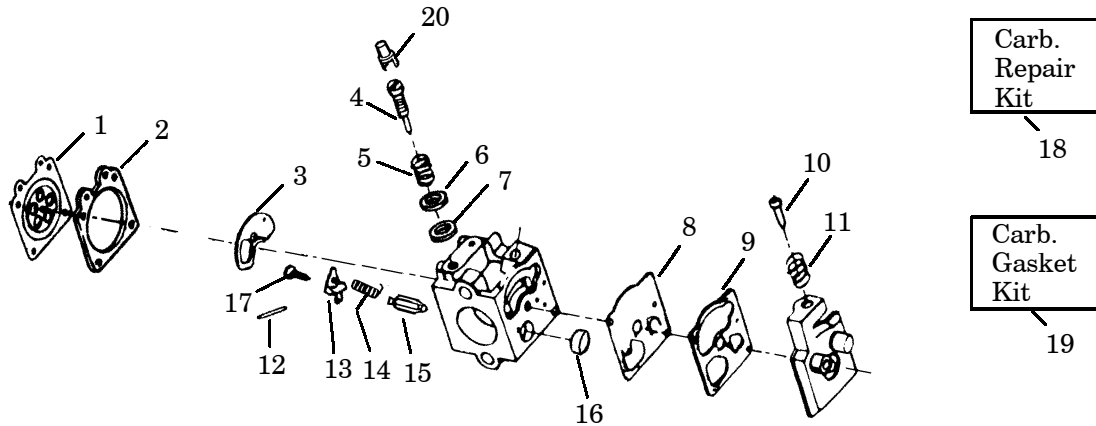
| Key No. | Part No. | Description | Key No. | Part No. | Description |
|---------|--------------|--------------------------------|---------|------------|----------------------------|
| 1 | 530-015775 | Screw | 44 | - | Flywheel Ass'y. |
| 2 | 530-036380 | Muffler/Air Box Cover | | 530-039111 | Model HP28P |
| 3 | 530-036429 | Air Filter Foam | | 530-039136 | Model HP30SBP |
| 4 | 530-015849 | Screw | 45 | - | Washer |
| 5 | 530-015852 | Spacer | | 530-015828 | Model HP28P |
| 6 | 530-015254 | Wave Washer | | 530-016030 | Model HP30SBP |
| 7 | 530-038103 | Choke Shutter | 46 | 530-027511 | Flywheel Spacer - |
| 8 | 530-037931 | Air Filter Plate | | | Model HP30SBP |
| 9 | 530-016085 | Screw | 47 | 530-069291 | Starter Pulley Kit |
| 10 | 530-037495 | Throttle Cable Ass'y. | 48 | 530-029395 | Starter Spring |
| 11 | - | Carburetor | 49 | 530-015496 | Screw |
| | 530-035360 | Model HP28P | 50 | 530-027523 | Retainer |
| | 530-035349 | Model HP30SBP | 51 | 530-015843 | Screw |
| 12 | † 530-019164 | Carburetor Gasket | 52 | 530-037105 | Handle Isolator |
| 13 | 530-015772 | Screw | 53 | - | Fan Housing |
| 14 | 530-037501 | Shroud | | 530-014793 | Model HP28P |
| 15 | 530-014663 | Lead Wire Ass'y | | 530-014794 | Model HP30SBP |
| 16 | 530-014662 | Ground Wire Ass'y | 54 | 530-027569 | Starter Handle |
| 17 | † 530-019154 | Crankcase/Shroud Gasket | 55 | 530-069232 | Rope Kit |
| 18 | 530-036233 | Reed | 56 | - | Switch |
| 19 | 530-027594 | Reed Stop | | 530-038114 | Model HP28P |
| 20 | 530-010960 | Connecting Rod Ass'y. | | 530-038113 | Model HP30SBP |
| | | (Incl. Bearings) | 57 | 530-036385 | Handle |
| 21 | - | Crankshaft Ass'y. | 58 | 530-036428 | Trigger |
| | 530-010945 | Model HP28P | 59 | 530-015814 | Screw |
| | 530-010934 | Model HP30SBP | 60 | 530-015767 | Screw |
| 22 | 530-015126 | Flywheel Key | 61 | 530-015768 | Locknut |
| 23 | 530-014016 | Crankcase Ass'y. (Incl. 39-42) | 63 | 530-036174 | Handle Cover |
| 24 | 530-037972 | Bulb Ass'y. | 64 | 530-015934 | Screw |
| 25 | 530-015128 | Screw | 65 | 530-037115 | Isolator AV |
| 26 | 530-039134 | Ignition Module | 66 | 530-029760 | Fuel Tank Isolator |
| 27 | 530-015239 | Screw | 67 | 530-014777 | Fuel Cap Ass'y. |
| 28 | 530-030077 | Spark Plug | 68 | --- | Fuel Tank Ass'y. |
| 29 | 530-012235 | Cylinder | | 530-014797 | Non-Primer units |
| 30 | 530-036409 | Muffler Attachment Spring | | 530-047128 | Units with primer bulb |
| 31 | 530-069257 | Muffler Kit | 69 | 530-014362 | Fuel Pick-up Ass'y. |
| 32 | - | Crankcase & Crankshaft | 70 | - | Fuel Line Kit |
| | | Ass'y (Incl. 21, 23, 38 & 43) | | 530-069247 | Fuel Line |
| | 530-014004 | Model HP28P | | 530-069238 | Return Line |
| | 530-014015 | Model HP30SBP | 71 | 530-026119 | Check Valve |
| 33 | 530-016064 | Screw | 72 | 530-029696 | Retainer |
| 34 | 530-015162 | Piston Pin Retainer | 73 | 530-015935 | Screw |
| 35 | 530-025875 | Piston Ring | 74 | 530-069325 | Engine Gasket Kit |
| 36 | † 530-019178 | Cylinder Gasket | | | († Indicates Contents) |
| 37 | 530-069275 | Piston Kit | 75 | 952-701612 | Spark Arrestor Kit |
| | | (Incl. #34,35 & pin) | 76 | 530-016080 | Screw |
| 39 | 530-032103 | Inner Bearing | 77 | 530-015771 | Screw |
| 40 | 530-015787 | Retaining Ring | 78 | 530-094189 | Clutch Washer - |
| 41 | 530-019158 | Crankshaft Seal | | | Model HP30SBP |
| 42 | 530-032102 | Outer Bearing | 79 | 530-069254 | Clutch Ass'y. Kit |
| 43 | 530-015789 | Crankshaft Retaining Ring | | | Model HP30SBP |
| | | | 80 | 530-015796 | Washer |
| | | | | | Model HP30SBP |
| | | | 81 | 530-001733 | Nut |
| | | | | | Model HP30SBP |
| | | | 82 | 530-014795 | Clutch Housing |
| | | | | | Model HP30SBP |
| | | | 83 | 530-027953 | Drive Coupling-Model HP28P |

Carburetor Assembly #530-035349 (WT-298)



| Key No. | Part No. | Description | Key No. | Part No. | Description |
|---------|------------|------------------------------|---------|------------|---|
| 1 | 530-035014 | *+ Metering Diaphragm | 11 | 530-035031 | * Metering Lever |
| 2 | 530-035151 | *+ Metering Diaphragm Gasket | 12 | 530-035188 | * Metering Lever Spring |
| 3 | 530-035147 | *+ Circuit Plate Gasket | 13 | 530-035106 | * Inlet Needle Valve |
| 4 | 530-035142 | Hi Speed Needle | 14 | 530-035178 | * Inlet Screen |
| 5 | 530-035036 | Hi Speed Needle Spring | 15 | 530-035166 | *+ Pump Diaphragm |
| 6 | 530-035141 | Idle Needle | 16 | 530-035164 | *+ Pump Gasket |
| 7 | 530-035023 | Idle Needle Spring | 17 | 530-035260 | Carb. Kwik Repair Kit (*Indicates Contents) |
| 8 | 530-035203 | Idle Speed Screw | 18 | 530-035185 | Carb. Gasket/Diaphragm Kit (+Indicates Contents) |
| 9 | 530-035208 | Idle Speed Spring | | | |
| 10 | 530-035028 | * Metering Lever Pin | | | |

Carburetor Assembly #530-035360 (WA-221)



| Key No. | Part No. | Description | Key No. | Part No. | Description |
|---------|------------|------------------------------|---------|------------|---|
| 1 | 530-035014 | *+ Metering Diaphragm | 12 | 530-035028 | * Metering Lever Pin |
| 2 | 530-035151 | *+ Metering Diaphragm Gasket | 13 | 530-035031 | * Metering Lever |
| 3 | 530-035211 | *+ Circuit Plate Gasket | 14 | 530-035188 | * Metering Lever Spring |
| 4 | 530-035341 | Mixture Needle | 15 | 530-035106 | * Inlet Needle Valve |
| 5 | 530-035342 | Mixture Needle Spring | 16 | 530-035178 | * Fuel Inlet Screen |
| 6 | 530-035217 | Mixture Needle Washer | 17 | 530-035016 | Metering Lever Pin Screw |
| 7 | 530-035218 | *+ "O" Ring Mixture | 18 | 530-035264 | Carb. Kwik Repair Kit (*Indicates Contents) |
| 8 | 530-035166 | *+ Fuel Pump Diaphragm | 19 | 530-035219 | Carb. Gasket/Diaphragm Kit (+Indicates Contents) |
| 9 | 530-035164 | *+ Fuel Pump Gasket | | | |
| 10 | 530-035203 | Idle Speed Screw | 20 | 530-035337 | Limiting Cap |
| 11 | 530-035208 | Idle Speed Spring | | | |

✓ = Part Change

† = Engine Gasket Kit Contents

☆☆☆☆ = Service Reference