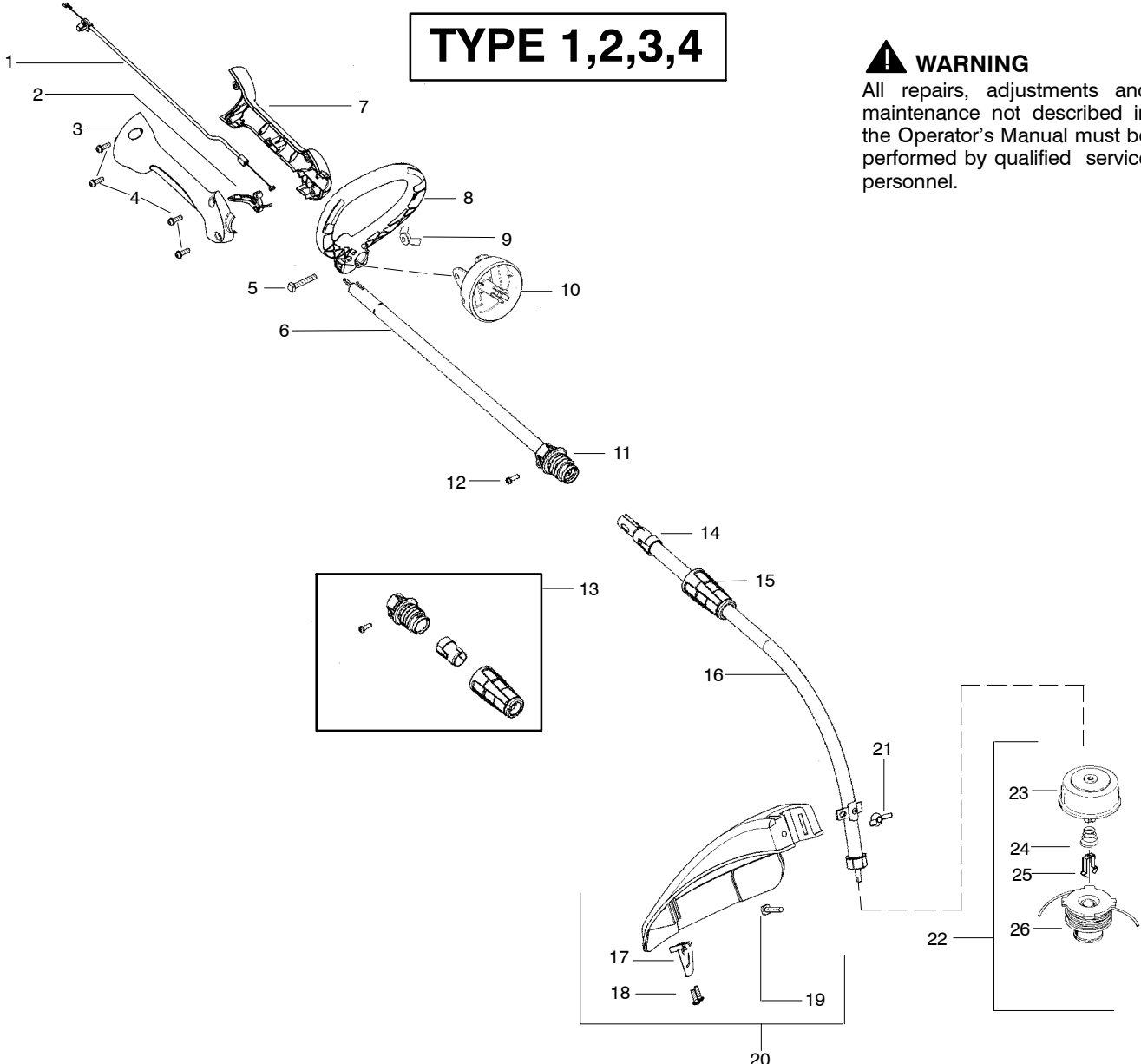


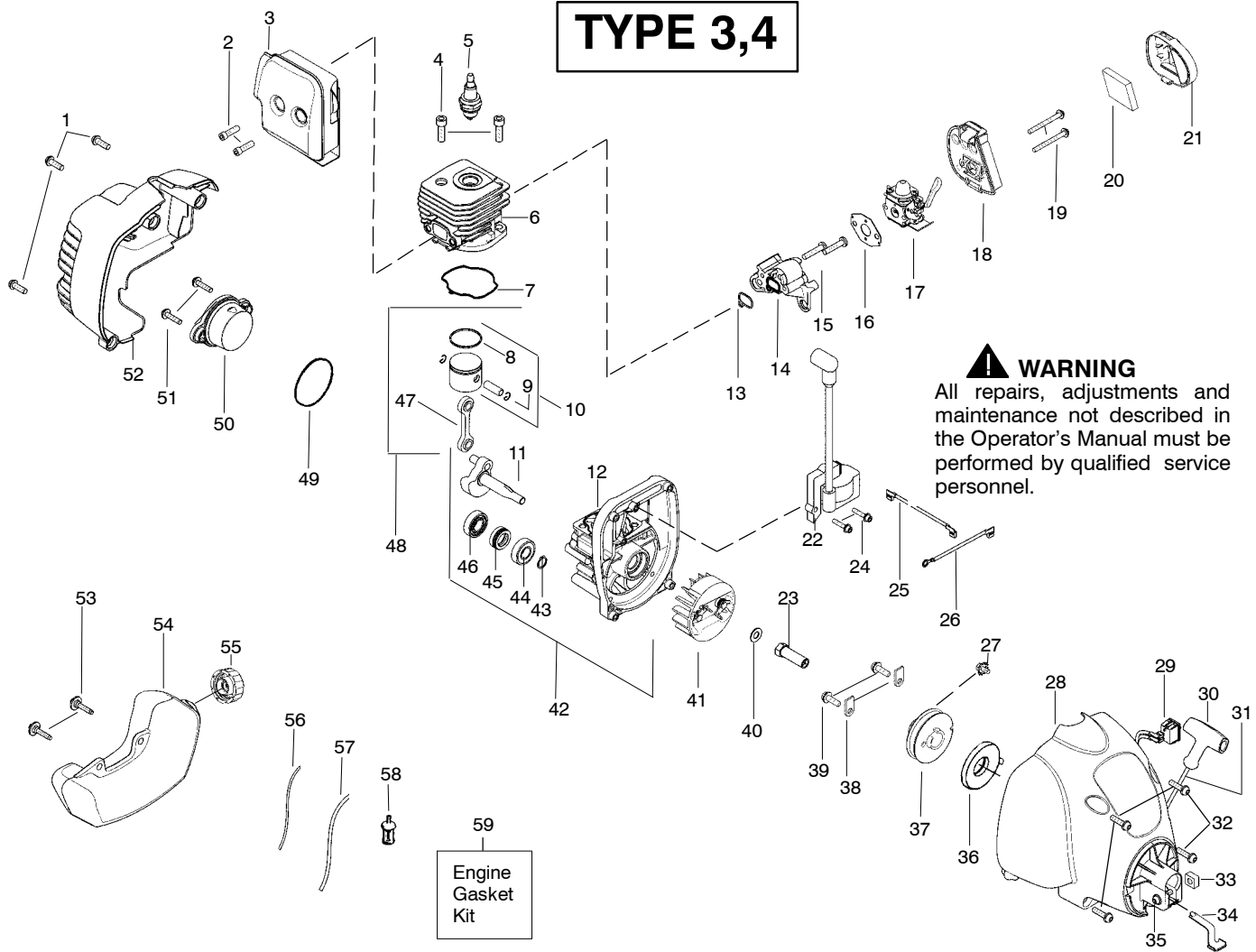
TYPE 1,2,3,4

⚠ WARNING
All repairs, adjustments and maintenance not described in the Operator's Manual must be performed by qualified service personnel.



| Ref. | Part No. | Description | Ref. | Part No. | Description |
|------|-----------|--|------|-----------|---|
| 1. | 530057991 | Assy - Throttle Cable | 17. | 530052286 | Line Limiter |
| 2. | 530058000 | Trigger | 18. | 530015966 | Screw - Line Limiter |
| 3. | 530057582 | Throttle Hsg. (Right) | 19. | 530015820 | Bolt |
| 4. | 530015880 | Screw - Throttle Hsg. | 20. | 530071795 | Kit - Shield Assy (Incl. 17,18,19,21) |
| 5. | 530015786 | Bolt - Handle | 21. | 530016152 | Wingnut |
| 6. | 545008059 | Kit - Drive Shaft (Incl. 11,12) | 22. | 952711621 | Accy - TNG VI Cutting Head (Incl. 23,24,25,26) |
| 7. | 530057581 | Throttle Hsg. (Left) | 23. | 530095776 | Assy - Hub |
| 8. | 545026201 | Assy - Handle (Incl. 5,9,10) | 24. | 530053241 | Spring - Compression |
| 9. | 530016152 | Wingnut | 25. | 530401957 | Clip - Retainer - Head |
| 10. | 530150338 | Spool Buddy | 26. | 952711616 | Accy - Spool w/Line |
| 11. | --- | Collet (Ref. 13) | | | Not Shown |
| 12. | 530015886 | Screw | | | |
| 13. | 545008057 | Kit - Coupler Shaft (Incl. 11,12,14,15) | | | |
| 14. | --- | Collar - Shaft (Ref. 13) | | | |
| 15. | --- | Nut - Collet (Ref. 13) | | | |
| 16. | 545008066 | Kit - Shaft Lower (Incl. 14,15) | | | |
| | | | | 545207301 | Decal - Shaft Warning |
| | | | | 527291101 | Decal - Spark Arrestor Warning |

✓ = NEW PART NUMBER FOR THIS IPL * = REFER TO THE SERVICE REFERENCE INDICATED FOR MORE INFORMATION. (LOCATED AT END OF IPL)



| Ref. | Part No. | Description | Ref. | Part No. | Description | Ref. | Part No. | Description |
|------|-----------|------------------------------------|------|-----------|---|-----------|----------------------|--|
| 1. | 530015814 | Screw | 21. | 530057584 | Cover-Air Box | 45. | 530019264 | Seal-C'case |
| 2. | 530058982 | Bolt-Muffler | 22. | 545024901 | Ignition Module | 46. | 530032125 | Inner Bearing |
| 3. | 545226901 | Assy-Muffler/Shield (Incl. 2) | 23. | 530038604 | Coupling-Drive | 47. | 530069945 | Assy-Connecting Rod Kit-piston/rod (Incl. 10,47) |
| 4. | 530015953 | Screw-Cylinder | 24. | 530016357 | Screw | 48. | 530071785 | Kit-piston/rod (Incl. 10,47) |
| 5. | 952030249 | Spark Plug (RCJ 6Y) | 25. | 530014663 | Assy-Leadwire | 49. | 530071750 | O-Ring-C'case (kit) |
| 6. | 530012541 | Cylinder | 26. | 530014662 | Assy-Ground Wire | 50. | 530057954 | Assy-Plug (incl.49) |
| 7. | 530071750 | Seal-Cylinder (kit) | 27. | 530016392 | Screw | 51. | 530016386 | Screw |
| 8. | 530055120 | Piston Ring | 28. | 530058600 | Assy.-Fan Hsg | 52. | 545011004 | Shroud-Rear |
| 9. | 530015162 | Retainer-Piston Pin | 29. | 545081869 | Kit-Switch | 53. | 530016445 | Retainer-Tank |
| 10. | 530071833 | Kit - Piston (Incl. 8, 9) | 30. | 530027569 | Handle-Starter | 54. | 545104102 | Assy-Fuel Tank (incl. filter, lines & fuel cap) |
| 11. | 530057829 | Assy-Crankshaft | 31. | 530071767 | Kit - Rope | 55. | 530014347 | Assy-Fuel Cap |
| 12. | 530012582 | Assy-Crankcase (Incl. 44,45,46) | 32. | 530016386 | Screw | 56. | 530069247 | Kit-Fuel Line (Small) |
| 13. | 530071750 | Seal-Cyl/Carb.(kit) | 33. | 530016124 | Nut | 57. | 530069216 | Kit-Fuel Line (Large) |
| 14. | 530057547 | Adapter-Carb. | 34. | 530057588 | Clip-Spring | 58. | 530095646 | Assy-Fuel Pickup |
| 15. | 530016441 | Screw | 35. | 530016430 | Screw | 59. | 530071750 | Kit-Engine Gasket (Incl. 7,13,16,49) |
| 16. | 530071750 | Gasket-Carb. (kit) | 36. | 530042085 | Spring-Starter | Not Shown | | |
| 17. | ----- | Kit-Carb. | 37. | 530071786 | Kit-Pulley-Starter | 530057827 | Choke Lever (Zama) | |
| | 530071752 | Zama (C1U-W18) | 38. | 530027523 | Retainer-Pulley | 530058662 | Choke Lever (Walbro) | |
| | 545081808 | Walbro (WT-669) | 39. | 530015775 | Screw | 530058709 | Bulb-Purge (Zama) | |
| | | | 40. | 530015828 | Washer-Flat | 530035497 | Bulb-Purge (Walbro) | |
| | | | 41. | 545005101 | Assy-Flywheel | | | |
| | | | 42. | 530071768 | Assy-C'case & C'shaft (Incl. 11,12,43) | | | |
| 18. | 530057585 | Air Box | 43. | 530015941 | Retain. Ring-C'shaft | | | |
| 19. | 530016429 | Screw | 44. | 530055728 | Outer Bearing | | | |
| 20. | 530057781 | Foam-Air Filter | | | | | | |

✓ = NEW PART NUMBER FOR THIS IPL

* = REFER TO THE SERVICE REFERENCE INDICATED FOR MORE INFORMATION. (LOCATED AT END OF IPL)