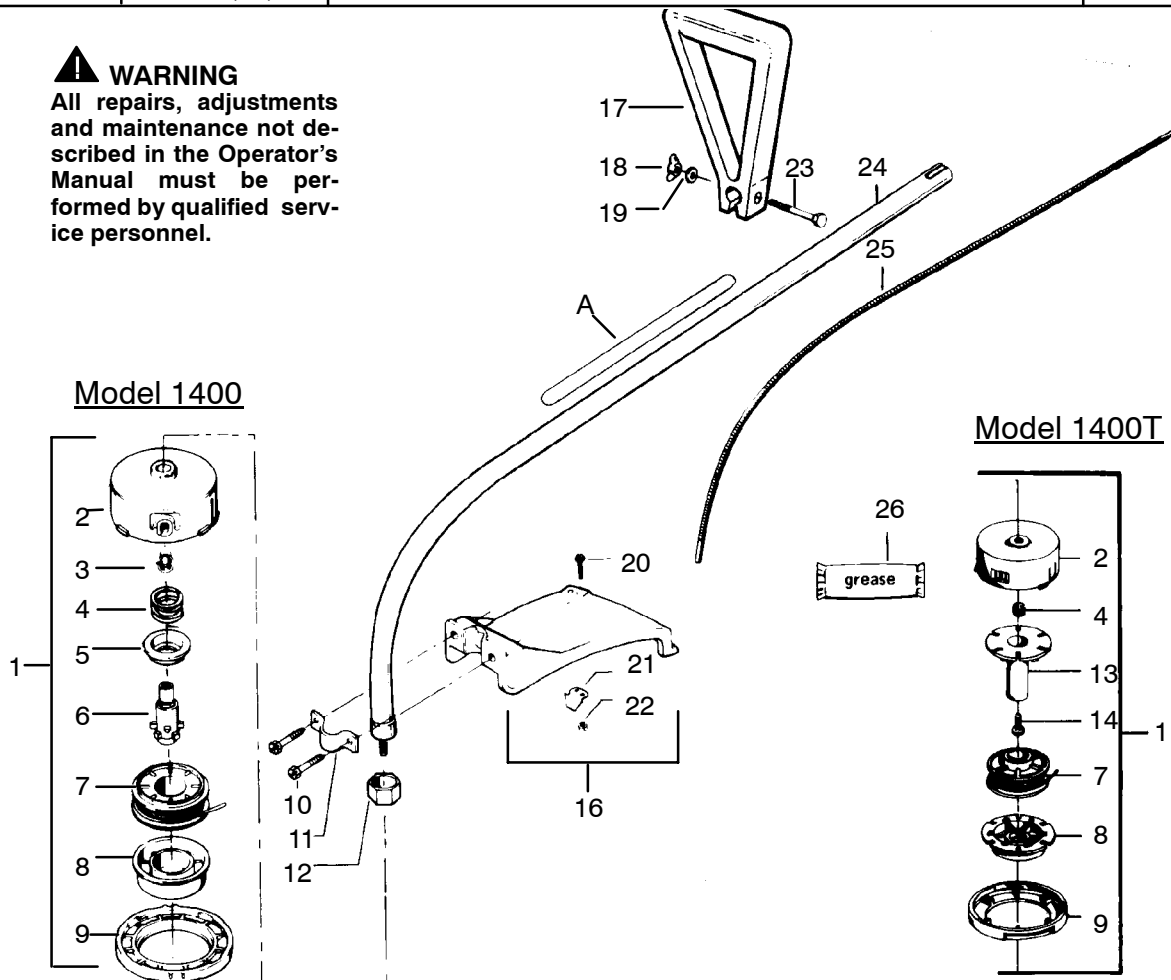


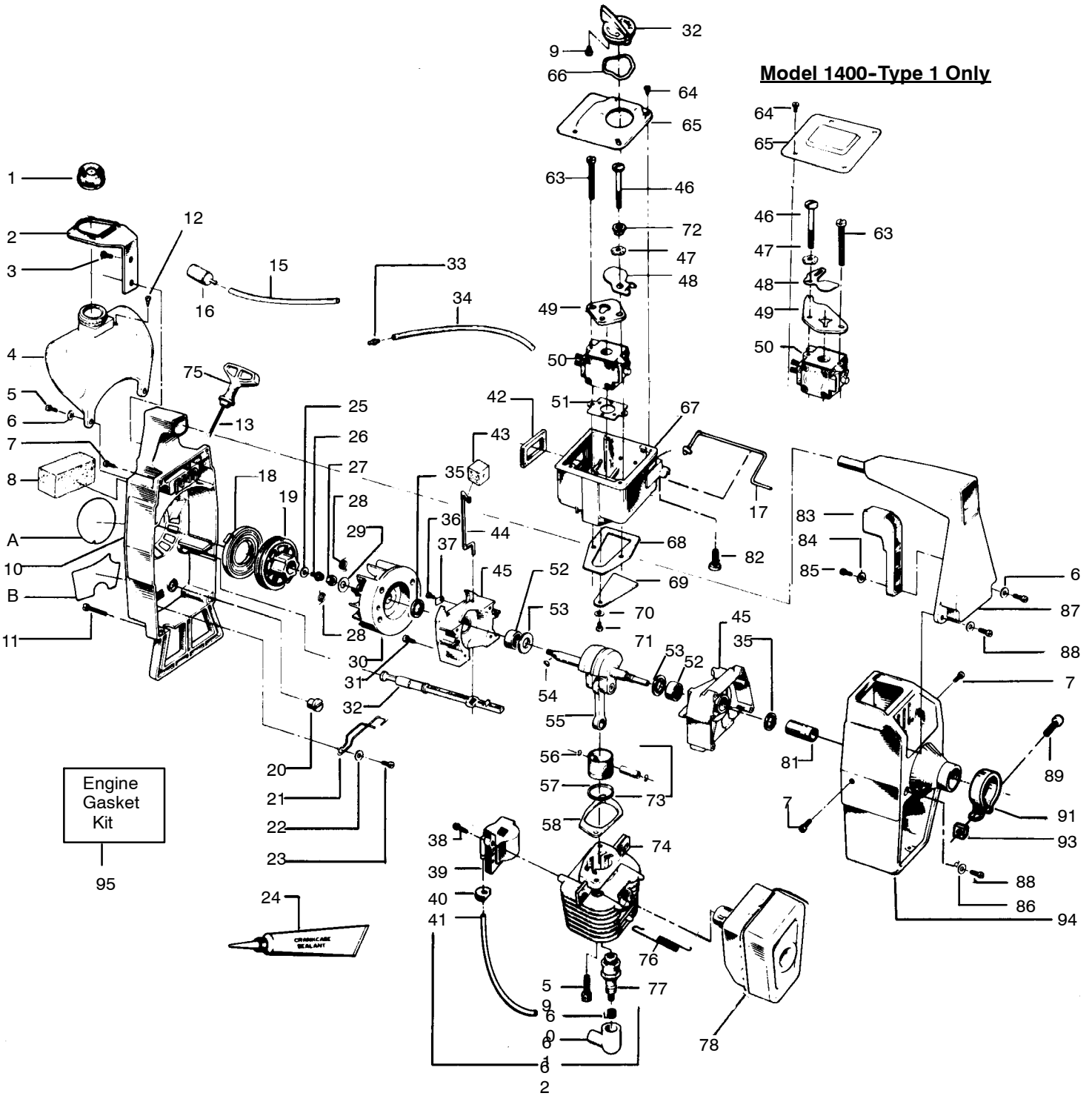
**WARNING**

All repairs, adjustments and maintenance not described in the Operator's Manual must be performed by qualified service personnel.



KEY NO.	PART NO.	DESCRIPTION	KEY NO.	PART NO.	DESCRIPTION
1	952-701604	Cutting Head Ass'y.-See Service Ref. 3	14	530-015542	Screw
2	-	Hub w/Line Saver	16	-	Shield Kit Ass'y. (Incl. #10,20,21 & 22)
	530-093896	Model 1400		★★★★★	Model 1400-See Service Ref. 1
	530-094562	Model 1400T		530-069249	Model 1400T
3	530-093898	Line Saver-Model 1400 Only	17	530-010618	Assist Handle
4	-	Spring	18	530-091373	Wing Nut
	530-092067	Model 1400	19	530-015149	Washer
	530-094525	Model 1400T	20	530-015337	Screw
5	530-092068	Spring Adaptor-Model 1400 Only	21	-	Line Limiter
6	530-093897	Drive Gear-Model 1400 Only		530-093853	Model 1400
7	-	Spool w/Line		530-094570	Model 1400T
	952-701523	Model 1400	22	530-015653	Nut
	952-701606	Model 1400T	23	530-015737	Screw
8	-	Release Button	24	530-093943	Drive Shaft Ass'y.
	530-093387	Model 1400	25	530-093935	Drive Shaft
	530-094522	Model 1400T	26	530-030102	Shaft Lubrication
9	-	Cover			
	530-092133	Model 1400			
	530-094521	Model 1400T			
10	-	Screw	Decals		
	★★★★★	Model 1400 -See Service Ref. 1	A	530-029159	Safety Label Decal
	530-092243	Model 1400T	Not Shown	-	Operator's Manual
11	530-093653	Bracket		530-066760	Model 1400
12	530-093716	Dust Cup		530-067065	Model 1400T
13	530-094523	Spool Post			

Note: Illustrations may differ from actual models due to design changes

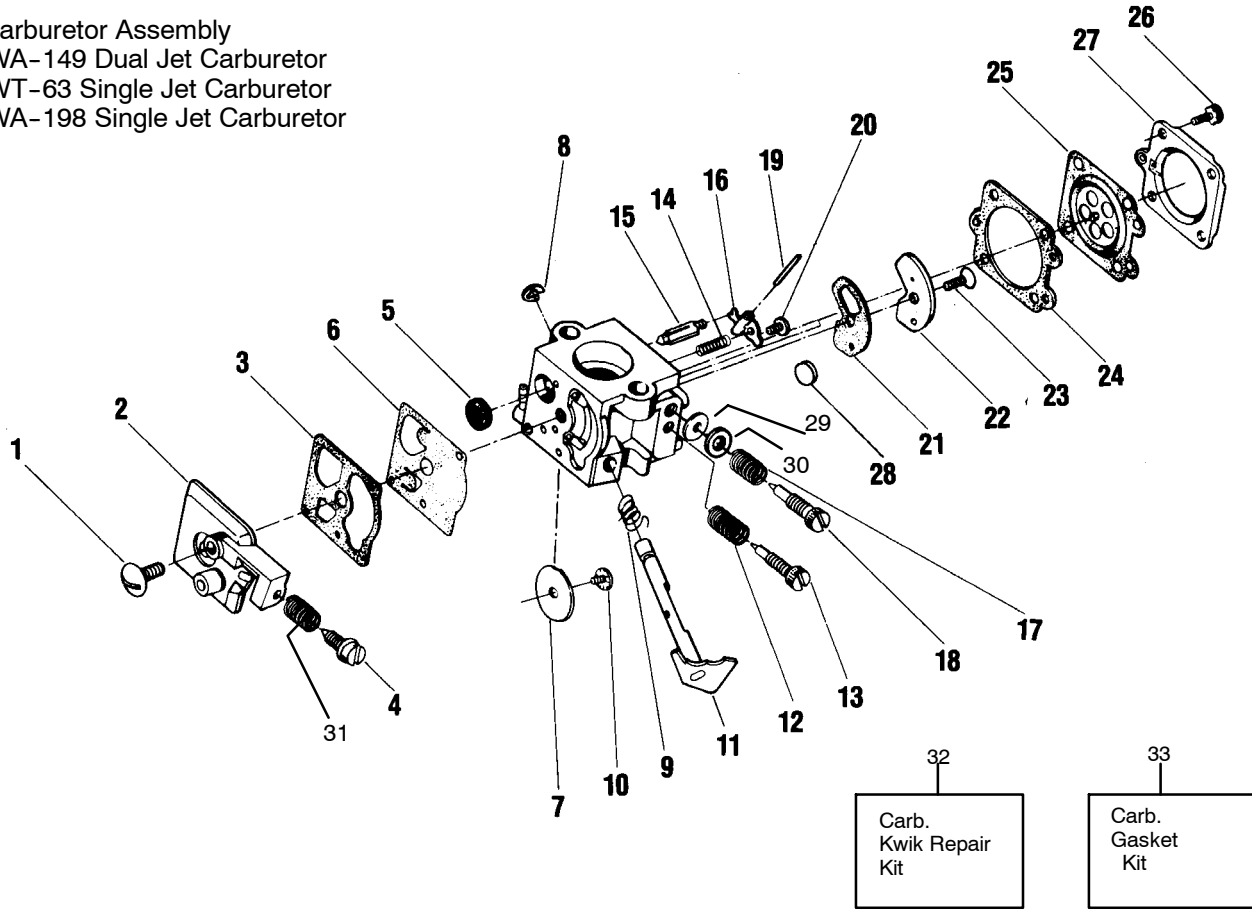


PARTS LIST NO. 530-066427-1/31/90		<b>WEED EATER® PARTS LIST</b>		LINE TRIMMER MODEL: 1400 & 1400T
Page No.3	Replaces 66427-4/18/88	Note: Illustrations may differ from actual models due to design changes		

KEY NO.	PART NO.	DESCRIPTION	KEY NO.	PART NO.	DESCRIPTION
1	530-010729	Fuel Cap Ass'y. (Incl. "O" Ring)		-	Carburetor
2	530-025377	Fuel Tank Bracket	50	530-035183	Model 1400-T1-T2-WA-149
3	530-092243	Screw		530-035257	Model 1400T-T1-WA-198
4	530-010887	Fuel Tank Ass'y.	51	† 530-019157	Carburetor Gasket
5	530-015509	Fuel Tank/Fan Housing Screw	52	530-032029	Crankshaft Bearing
6	530-015123	Washer	53	530-015351	Crankshaft Thrust Washer
7	530-015590	Screw	54	530-015126	Flywheel Key
8	530-024371	Air Filter	55	-	Crankshaft & Rod Ass'y.
9	530-015740	Screw-Model 1400-T2 & 1400T-T1		530-026418	Model 1400-T1 & 2; Model 1400T-T1
10	530-010891	Fan Housing Ass'y.		530-010844	Model 1400T-T2
11	530-015594	Fan Housing Screw	56	530-015162	Wrist Pin Retainer
12	530-026119	Duck Bill Check Valve	57	-	Piston Ring
13	530-069232	Rope Kit		530-026413	Model 1400-T1 & 2; Model 1400T-T1
15	530-021045	Fuel Line-1400 Type 1		530-027369	Model 1400T-T2
	530-069247	Line Kit(Bulk 8148) - Model 1400-T2 & 1400T-T1	58	† 530-019111	Cylinder Gasket
16	-	Fuel Pick-Up Ass'y.	59	530-015239	Screw
	530-091878	Model 1400-T1	60	530-003933	Spark Plug Connector
	530-010897	Model 1400-T2 & 1400T-T1	61	530-003934	Spark Plug Boot
17	530-027190	Throttle Wire-Model 1400 T2 & 1400T-T1	62	530-039103	High Tension Lead Ass'y. (Incl. #41,60 & 61)
18	530-042067	Recoil Spring Starter	63	-	Carburetor Screw
19	530-026048	Starter Pulley		530-015379	Model 1400-T1
20	530-026679	Kill Switch Button		530-015674	Model 1400-T2 & 1400T-T1
21	530-026559	Kill Switch Spring	64	530-015235	Screw
22	530-015382	Kill Switch Washer	65	-	Carburetor Case Cover
23	530-015407	Kill Switch Screw		530-026029	Model 1400-T1
24	530-030054	Crankcase Sealant - 3 oz. Tube		530-027100	Model 1400-T2 & 1400T-T1
25	530-015123	Washer	66	530-015741	Wave Washer-Model 1400 T2 & 1400T-T1
26	530-015479	Screw	67	-	Carburetor Case Ass'y.
27	530-626605	Nut		530-010453	Model 1400-T1
28	530-042059	Starter Dog Spring		530-027189	Model 1400-T2 & 1400T-T1
29	530-015127	Washer	68	† 530-019108	Carburetor Case/Crankcase Gasket
30	530-039114	Flywheel Ass'y.	69	530-024438	Reed Valve
31	530-015369	Screw	70	530-023367	Reed Valve Washer
32	-	Choke Knob	71	530-015241	Reed Valve Screw
	530-024303	Model 1400-T1	72	530-015673	Spacer-Model 1400-T2 & 1400T-T1
	530-027101	Model 1400-T2 & 1400T-T1	73	-	Piston Kit (Incl. #56,57 & Pin)
33	-	Fuel Line Fitting		530-010753	Model 1400-T1 & 2; Model 1400T-T1
	530-025472	Model 1400-T1		530-069240	Model 1400T-T2
	530-026981	Model 1400-T2 & 1400T-T1	74	-	Cylinder
34	530-021073	Carburetor Fuel Line		530-012244	Model 1400-T1 & 2; Model 1400T-T1
35	† 530-019059	Crankshaft Seal		530-012247	Model 1400T-T2
36	530-015004	Screw-Model 1400-T1 Only	75	530-026735	Starter Handle
37	530-024651	Choke Wire Clamp-Model 1400-T1 Only	76	530-024903	Muffler Attachment Spring
	530-015128	Screw	77	530-030077	Spark Plug (CJ-14)
38	530-069181	Ignition Module Kit	78	-	Muffler Ass'y
39	530-024435	Plug Wire Grommet		★★★★	Model 1400- See Service Reference 2
40	530-039082	High Tension Lead Wire		530-069243	Model 1400T.
41	† 530-019105	Carburetor Case Seal	81	530-093925	Drive Adaptor
42	530-023373	Choke Wire Boot-Model 1400-T1 Only	82	530-015723	Screw-Model 1400-T2 & 1400T-T1
43	530-026236	Choke Wire-Model 1400-T1 Only	83	530-025342	Throttle Trigger
44	530-010757	Crankcase Ass'y. (Incl. #35,52 & Qty 1 of #31)	84	530-015382	Throttle Washer
45	-	Screw	85	530-015407	Screw
46	530-015404	Model 1400-T1	87	530-025704	Handle
	530-015630	Model 1400-T2 & 1400T-T1	88	530-015163	Screw
47	530-015254	Wave Washer	89	530-015609	Screw
48	-	Choke Shutter	91	530-026560	Shroud Clamp
	530-024558	Model 1400-T1	93	530-015610	Nut
	530-026772	Model 1400-T2 & 1400T-T1	94	-	Shroud
49	-	Choke Wire Guide Plate		530-026547	Model 1400-T1 & 2
	530-026237	Model 1400-T1	95	530-027007	Model 1400T-T1
	530-026797	Model 1400-T2 & 1400T-T1		530-069219	Engine Gasket Kit (Indicates Contents)
			Decals		
			A	530-027312	Starting Instructions Decal
			B	530-027638	Choke/Off Decal
			Not Shown		
				530-027672	Shroud Decal (Right)
				530-027673	Shroud Decal (Left)

† Indicates Engine Gasket Contents

A. Carburetor Assembly  
 WA-149 Dual Jet Carburetor  
 WT-63 Single Jet Carburetor  
 WA-198 Single Jet Carburetor



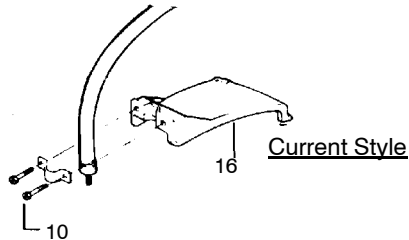
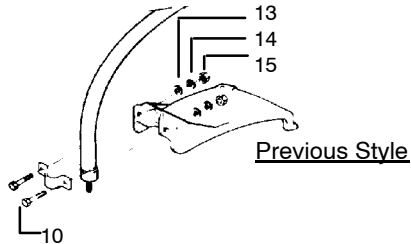
KEY NO.	PART NO.	DESCRIPTION	KEY NO.	PART NO.	DESCRIPTION
1	530-035017	† Screw-Pump Cover	20	530-035016	Screw-Metering Lever Pin
2	530-035191	☆† Pump Cover Ass'y. (Incl. #4)	21	-	☆† Gasket-Circuit Plate
3	530-035164	Gasket-Pump		530-035147	WA-149
4	-	Screw-Idle Adjustment-		530-035211	WA-198
	530-035156	WA-149 & WT-63	22	-	Plate-Circuit
	530-035203	WA-198		530-035042	WA-149
5	530-035178	† Screen-Inlet		530-035261	WA-198
6	530-035166	☆† Diaphragm-Pump	23	530-035137	† Screw-Circuit Plate-WA-149 & WA-198
7	-	Valve-Throttle	24	530-035151	☆† Gasket-Metering Diaphragm
	530-035133	WA-149	25	530-035014	☆† Diaphragm Ass'y.-Metering
	530-035254	WT-63 & WA-198	26	-	Screw Ass'y.-Metering Cover & Throttle Shaft
8	530-035007	Clip-Throttle Shaft		530-035153	WA-149
9	530-035138	Spring-Throttle Return		530-035021	WT-63 & WA-198
10	530-035015	† Screw-Throttle Valve	27	-	Cover-Metering Diaphragm
11	530-035132	Shaft Ass'y.-Throttle		530-035149	WA-149
12	530-035023	Spring-Idle Needle-WA-149		530-035003	WT-63 & WA-198
13	530-035141	Needle-Idle-WA-149	28	530-035162	† Plug-5/16" Dia. Welch
14	530-035139	† Spring-Metering Lever			WT-63 Only
15	530-035106	† Valve-Inlet Needle	29	530-035218	"O" Ring Mixture
16	530-035031	Lever-Metering	30	530-035217	Mixture Washer
17	-	Spring-Hi Speed Needle	31	530-035208	Spring-Idle Speed
	530-035036	WA-149	32	-	Kit-Carb. Kwik Repair (†Indicates Contents)
	530-035200	WT-63		530-035185	WA-149
	530-035214	WA-198		530-035199	WT-63
18	-	Needle-High Speed		530-035220	WA-198
	530-035142	WA-149	33	-	Kit-Carb. Gasket/Diaphragm (☆Indicates Contents)
	530-035255	WT-63			WA-149 & WT-63
	530-035212	WA-198			WA-198
19	530-035028	† Pin-Metering Lever		530-035186	
				530-035219	

**SERVICE REFERENCES**

**1. SHIELD ASSEMBLY KIT - PAGE 1.**

To replace shield fasteners, refer to drawings below. Identify the shield style with which your unit is equipped and order accordingly.

To replace a shield, use Kit #530-069213. The current style shield will retrofit the previous style by using the fasteners in the kit.

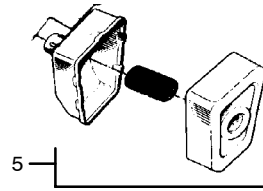
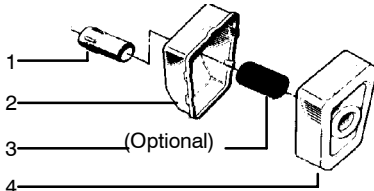


Key No.	Part No.	Description
10	530-625567	Bolt
13	530-015209	Washer
14	530-001642	lockwasher
15	530-015515	Nut

Key No.	Part No.	Description
10	530-092243	Screw
16	530-069249	Shield Kit Ass'y. (Incl. #10,20,21 & 22 from page 1)

**2. MUFFLER ASSEMBLY - PAGE 3.**

To replace your muffler note the drawings below and order accordingly. If your unit has a separate diffuser, order parts as noted. Order the Muffler Kit for the built-in diffuser as shown.



Key No.	Part No.	Description
1	530-026949	Muffler Diffuser
2	530-024362	Muffler Body
3	952-701580	Spark Arresting Screen Kit(Optional)
4	530-024361	Muffler Cover

Key No.	Part No.	Description
5	530-069243	Muffler Kit

**3. CUTTING HEAD ASSEMBLY'S-PAGE 1.**

Check the illustrations listed below to determine the type of cutting head on your unit. When ordering a complete assembly, always order Tap-N-Go II. Tap-N-Go II is interchangeable with Tap-N-Go I as an assembly.

Note the differences in the cutting line exit holes and order parts accordingly.

