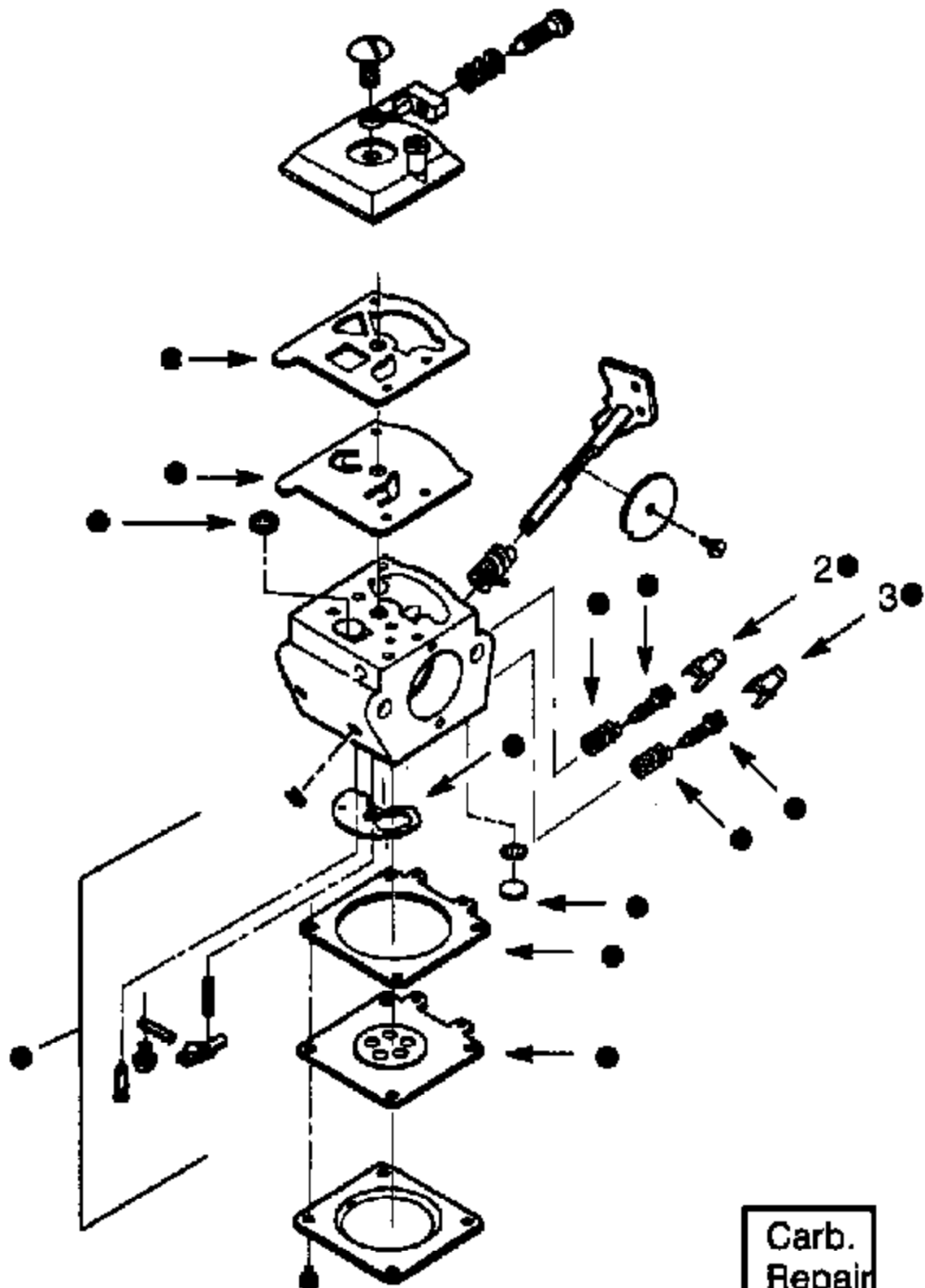


Ref #	Part Number	Qty	Description
1	530035014		Metering Diaphragm
2	530035151		Metering Diaphragm Gasket
3	530035147		Circuit Plate Gasket
4	530035142		Hi Speed Needle
5	530035036		Hi Speed Needle Spring
6	530035141		Idle Needle
7	530035023		Idle Needle Spring
8	530035203		Idle Speed Screw
9	530035208		Idle Speed Spring
10	530035028		Metering Lever Pin
11	530035031		Metering Lever
12	530035188		Metering Lever Spring Included in Gasket/Diaphragm Kit.
13	530035106		Idle Needle Valve Included in Gasket/Diaphragm Kit.
14	530035178		Inlet Screen Included in Gasket/Diaphragm Kit.
15	530035166		Pump Diaphragm Included in Gasket/Diaphragm Kit.
16	530035164		Pump Gasket Included in Gasket/Diaphragm Kit.
17	530035260		Carb. Kwik Repair Kit
18	530035185		Carb. Gasket/Diaphragm Kit Included in Gasket/Diaphragm Kit.

XT85T Gas Trim Page 2 of 9
 CARBURETOR WA-199 PDF

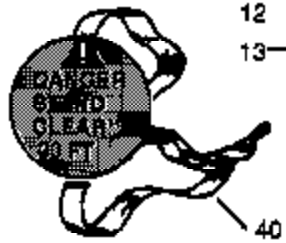
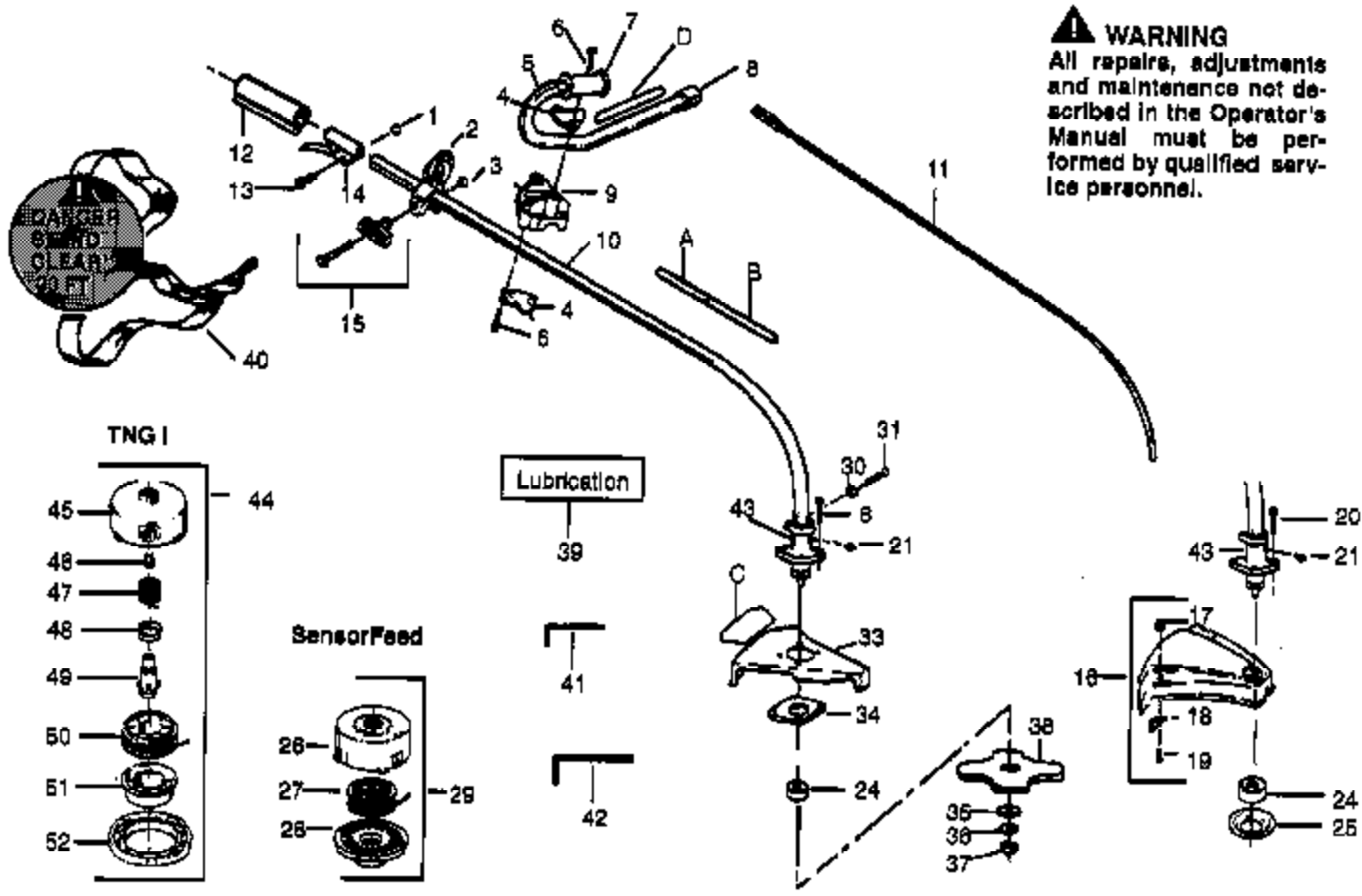


Carb.
Repair
Kit

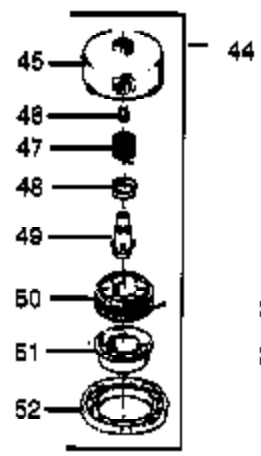
Ref #	Part Number	Qty	Description
1	530069623		Carburetor Repair Kit Parts indicated by an . in illustration are for clarity only, order complete assembly.
2	530038317		Limiter Cap-Low
3	530038318		Limiter Cap-High

XT85T Gas Trimmer Page 4 of 9
CARBURETOR WT-298A BF

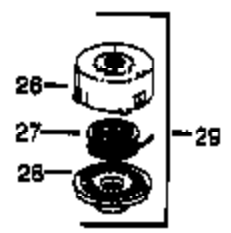
⚠ WARNING
 All repairs, adjustments and maintenance not described in the Operator's Manual must be performed by qualified service personnel.



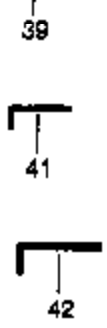
TNG I



SensorFeed

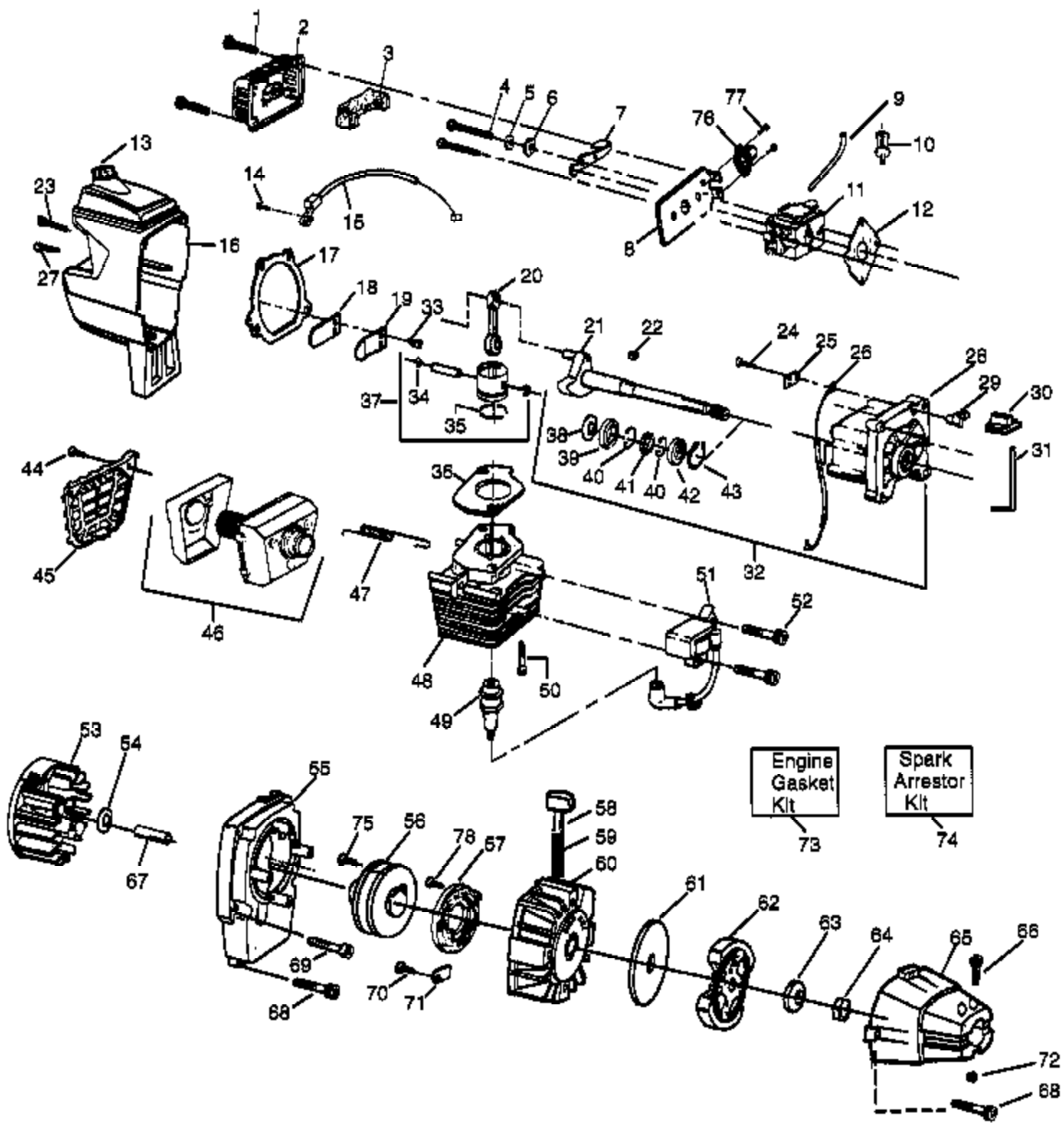


Lubrication



Ref #	Part Number	Qty	Description
1	530015768		Nut
2	530094686		Clamp Harness Ass'y.
3	530015197		Nut
4	530094572		Handlebar Bracket
5	530010723		Handlebar
6	530015791		Screw
7	530092086		Handlebar Grip
8	530092192		Handlebar Cap
9	530012207		Handlebar Clamp
10	530014965		Type 1 & 2
10	530095338		Type 3
11	530094555		Drive Shaft
12	530029445		Drive Shaft Grip
13	530015774		Screw
14	530010959		Throttle Lever Ass'y. (Inc. 1 & 13)
15	530069252		"T" Handle Kit
16	530069256		Shield Kit Ass'y. (Inc. 17-19)
17	534235901		Locknut
18	530094570		Line Limiter
19	530015037		Screw
20	530016107		Screw
21	530015518		Screw
24	530092359		Dust Cup
25	530094571		Grass Washer
26	530094592		Hub Ass'y.
27	952701607		Spool w/Line
28	530094494		Cover
29	952701605		Cutting Head Ass'y (Inc. 26-28)
30	530092227		Washer
31	534828400		Screw
33	530094627		Shield
34	530027615		Shield Retention Plate
35	530015792		Washer
36	530015492		Washer
37	530093748		Nut
38	952701546		Weed Blade
39	952030139		Shaft Lubrication
40	530094417		Shoulder Strap
41	530031111		Hex Wrench (5/32)
42	530031098		Hex Wrench (3/16)
43	530094581		Bearing Hsg. Ass'y. (Inc. 21 & 24)
44	952701574		Cutting Head Ass'y. (Inc. 45-52)
45	530093896		Hub Ass'y.
46	530093898		Line Saver
47	530340007		Spring
48	530092068		Spring Cap
49	530093897		Drive Gear
50	952701523		Spool w/Line
51	530401183		Release Button
52	530092133		Cover
A	530029160		Decal-Shaft Warning-Upper
B	530029161		Type 1 & 2
B	530038906		Type 3
C	530027749		Decal-Blade Direction (Not a serviceable part)
D	530027774		Decal-Handlebar

XT85T Gas Trimmer Page 6 of 9
CUTTING HEAD & DRIVE SH



Ref #	Part Number	Qty	Description
1	530015773		Screw
2	530027529		Air Filter Cover
3	530027530		Air Filter
4	530015849		Screw
5	530015852		Spacer
6	530015254		Wave Washer
7	530038103		Choke Shutter
8	530027527		XT85 & XT85T Type 1
8	530037930		XT85T Type 2 & 3
9	530069247		Fuel Line
9	530069571		Return Line Type 2 & 3
10	530014362		Fuel Pick-up Ass'y.
11	530035259		XT85 & XT85T Type 1 (WA-199)
11	530069651		XT85T Type 2 & 3 (WT-298A)
12	530019156		Carburetor Gasket
13	530014347		Fuel Cap Ass'y.
14	530015775		Screw
15	530027549		XT85 & XT85T Type 1
15	530037497		XT85T Type 2 & 3
16	530027982		XT85 & XT85T Type 1
16	530047086		XT85T Type 2 & 3
17	530019154		Gasket
18	530027593		Reed
19	530027594		Reed Stop
20	530010960		Connecting Rod Ass'y. (Inc. Bearings)
21	530010934		Crankshaft Ass'y. See Service Ref. 1
22	530015126		Flywheel Key
23	530015772		Screw
24	530015780		Screw
25	530027546		Switch Insulator
26	530027547		Lead Wire
27	530015771		Screw
28	530014016		Crankcase Ass'y. (Inc.#39-42)
29	530027545		Switch Ramp
30	530038309		Switch Button
31	530027959		Switch Spring
32	530014015		Crankcase & Crankshaft Ass'y. (Inc.21,28, 39-43)
33	530016064		Screw
34	530015162		Piston Pin Retainer
35	530025875		Piston Ring
36	530019178		Cylinder Gasket
37	530069275		Piston Kit (Inc. 34, 35 & pin)
39	530032103		Inner Bearing
40	530015787		Retaining Ring
41	530019158		Crankshaft Seal
42	530032102		Outer Bearing
43	530015789		Crankshaft Retaining Ring
44	530015717		Screw
45	530027781		Muffler Guard
46	530069257		Muffler Kit
47	530036409		Muffler Spring
48	530069626		Cylinder
49	530030077		Type 1 & 2 (CJ-14)
49	530030075		Type 3 (RCJ-8Y)
50	530015239		Screw
51	530039134		Ignition Module Kit

XT85T Gas Trim Page 8 of 9
POWER UNIT

Ref #	Part Number	Qty	Description
52	530015128		Screw
53	530039189		Flywheel Ass'y.
54	530347987		Washer
55	530027948		Fan Housing
56	530069291		Starter Pulley Kit (Inc. 75)
57	530029395		Starter Spring
58	530027569		Starter Handle
59	530069232		Rope Kit
60	530014009		Pulley Housing Ass'y.
61	530094189		Clutch Washer
62	530069254		Clutch Ass'y. Kit
63	530015796		Washer
64	530001733		Nut
65	530014017		Clutch Housing
66	530015767		Screw
67	530027511		Spacer
68	530015770		Screw
69	530015769		Screw
70	530015496		Screw
71	530027523		Pulley Retainer
72	530015768		Locknut
73	530069276		Engine Gasket Kit
74	952701612		Spark Arrestor Kit
75	530016080		Screw-Rope Retaining
76	530038874		Primer Bulb Ass'y. XT85T Type 2 & 3
77	530016091		Screw-Primer XT85T Type 2 & 3
78	530015882		Screw-Starter Spring Type 3
78			, Operator Manual Not Shown.
	530067340		XT85 Not Shown.
	530081799		XT85T Type 1 Not Shown.
	530083168		XT85T Type 2 Not Shown.
	530083669		XT85T Type 3 Not Shown.
			, Instruction Decal Not Shown.
	530027986		XT85 & XT85T Type 1 Not Shown.
	530038844		XT85T Type 2 & 3 Not Shown.
			, Carton Contents Bag Not Shown.
	530014019		XT85 Not Shown.
	530014847		XT85T Not Shown.

XT85T Gas Trim Page 9 of 9
POWER UNIT