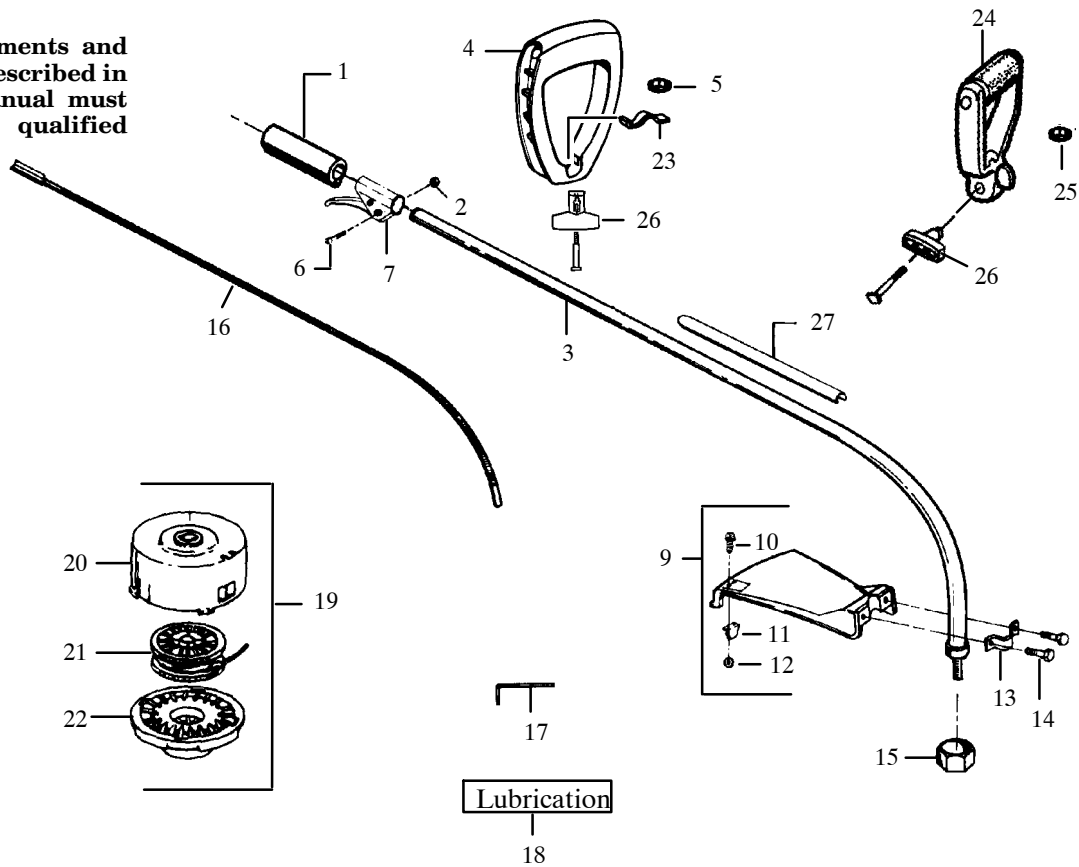


| | | | |
|--|------------------|-------------------------------|-------------------------|
| PARTS LIST NO. 530-068502 - 7/21/92 | | WEED EATER® PARTS LIST | Trimmer Model: XT 50 |
| Page No. 1 | REPLACES NONE | | |

⚠ WARNING
All repairs, adjustments and maintenance not described in the Operator's Manual must be performed by qualified service personnel.

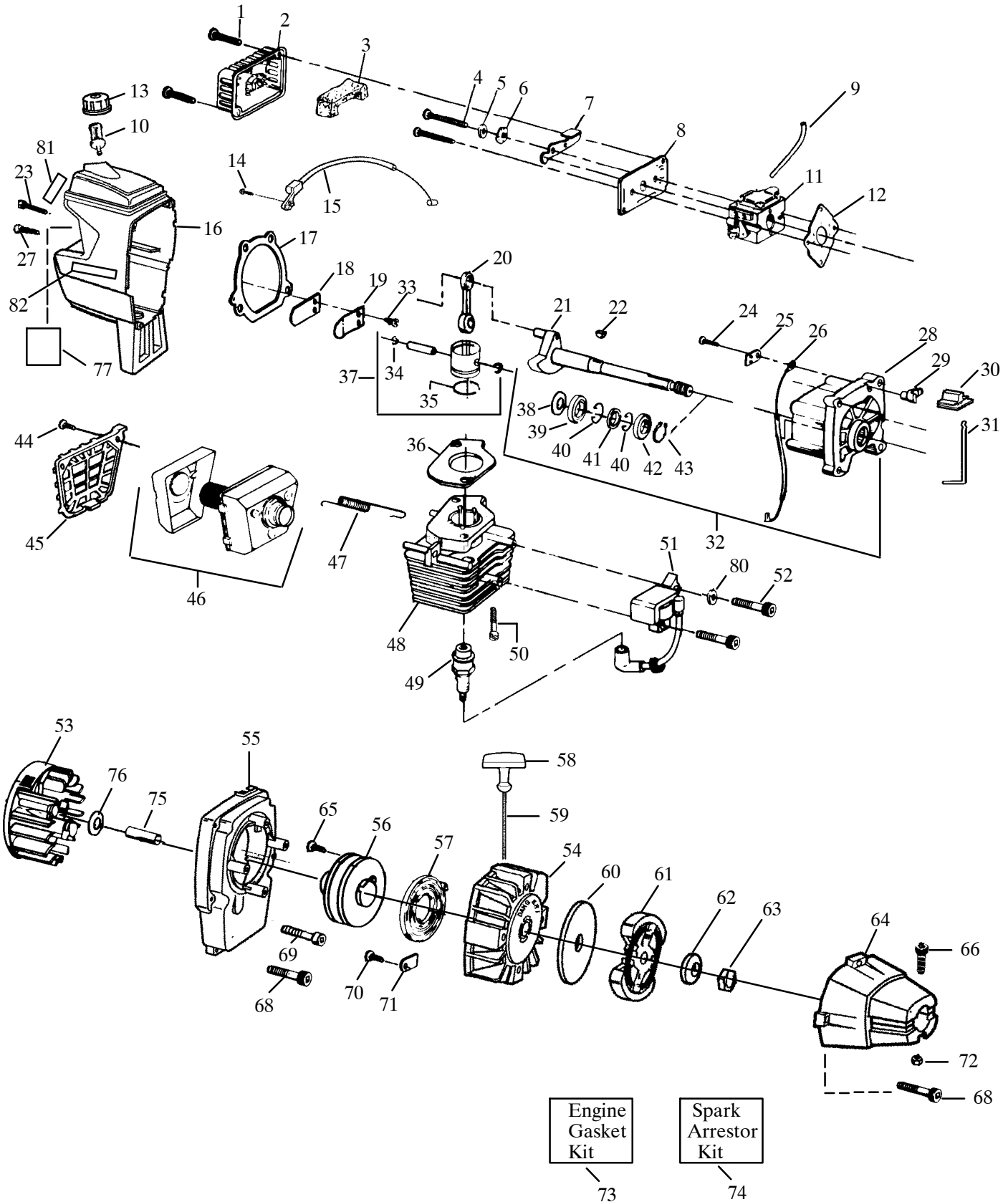


| Key No. | Part No. | Description | Key No. | Part No. | Description |
|---------|------------|---|-----------|------------|---------------------|
| 1 | 530-027595 | Grip | 20 | 530-094620 | Hub Ass'y. |
| 2 | 530-015768 | Nut | 21 | 952-701607 | Spool w/Line |
| 3 | 530-094641 | Drive Shaft Housing | 22 | 530-094494 | Cover |
| 4 | 530-014222 | Handle | 23 | 530-094742 | Clamp |
| 5 | 530-015610 | Nut | 24 | 530-010957 | Handle |
| 6 | 530-015774 | Screw | 25 | 530-015197 | Nut |
| 7 | 530-010959 | Throttle Hsg. Ass'y. | 26 | 530-069252 | "T" Handle |
| 9 | 530-069308 | Shield Kit Ass'y. (Incl. 10-12 & 14) | 27 | 530-029164 | Shaft Warning Decal |
| 10 | 530-015337 | Screw | Not Shown | 530-067455 | Operator Manual |
| 11 | 530-094883 | Line Limiter | | | |
| 12 | 530-015653 | Locknut | | | |
| 13 | 530-093653 | Shield Bracket | | | |
| 14 | 530-092243 | Screw | | | |
| 15 | 530-094543 | Dust Cup | | | |
| 16 | 530-094551 | Drive Shaft | | | |
| 17 | 530-031111 | Hex Wrench (5/32) | | | |
| 18 | 530-030102 | Shaft Lubrication | | | |
| 19 | 952-701605 | Cutting Head Ass'y. | | | |

↙ = Part Change

† = Engine Gasket Kit Contents

☆☆☆☆ = Service Reference



↙ = Part Change

† = Engine Gasket Kit Contents

☆☆☆☆ = Service Reference

| | | | |
|--|------------------|-------------------------------|-------------------------|
| PARTS LIST NO. 530-068502 - 7/21/92 | | WEED EATER® PARTS LIST | Trimmer Model: XT 50 |
| Page No. 3 | REPLACES NONE | | |

| Key No. | Part No. | Description | Key No. | Part No. | Description |
|---------|--------------|---|-----------|------------|---|
| 1 | 530-015773 | Screw | 49 | 530-030058 | Spark Plug |
| 2 | 530-027529 | Air Filter Cover | 50 | 530-001624 | Screw |
| 3 | 530-027530 | Air Filter | 51 | 530-039134 | Ignition Module Kit |
| 4 | 530-015849 | Screw | 52 | 530-015128 | Screw |
| 5 | 530-027528 | Spacer | 53 | 530-039136 | Flywheel Ass'y. |
| 6 | 530-015254 | Wave Washer | 54 | 530-014009 | Pulley Housing Ass'y. |
| 7 | 530-027526 | Choke Shutter | 55 | 530-027948 | Fan Housing |
| 8 | 530-027527 | Air Filter Plate | 56 | 530-069291 | Starter Pulley |
| 9 | 530-069247 | Fuel Line Kit | 57 | 530-029395 | Starter Spring |
| 10 | 530-014362 | Fuel Pick-up Ass'y. | 58 | 530-027569 | Starter Handle |
| 11 | 530-035259 | Carburetor | 59 | 530-069232 | Rope Kit |
| 12 | † 530-019156 | Carburetor Gasket | 60 | 530-094189 | Clutch Washer |
| 13 | 530-010729 | Fuel Cap Ass'y. | 61 | 530-069254 | Clutch Ass'y. Kit |
| 14 | 530-015775 | Screw | 62 | 530-015796 | Washer |
| 15 | 530-027549 | Throttle Cable Ass'y. | 63 | 530-001733 | Nut |
| 16 | 530-027982 | Shroud & Tank Ass'y. | 64 | 530-014017 | Clutch Housing |
| 17 | † 530-019154 | Crankcase/Shroud Gasket | 65 | 530-015823 | Screw |
| 18 | 530-027593 | Reed | 66 | 530-015767 | Screw |
| 19 | 530-027594 | Reed Stop | 68 | 530-015770 | Screw |
| 20 | 530-010960 | Connecting Rod Ass'y. (Incl. Bearings) | 69 | 530-015769 | Screw |
| 21 | 530-010934 | Crankshaft Ass'y. | 70 | 530-015496 | Screw |
| 22 | 530-015126 | Flywheel Key | 71 | 530-027523 | Retainer |
| 23 | 530-015772 | Screw | 72 | 530-015768 | Locknut |
| 24 | 530-015780 | Screw | 73 | 530-069276 | Engine Gasket Kit (†Indicates Contents) |
| 25 | 530-027546 | Switch Insulator | 74 | 952-701612 | Spark Arrestor Kit |
| 26 | 530-027547 | Lead Wire | 75 | 530-027511 | Spacer |
| 27 | 530-015771 | Screw | 76 | 530-347987 | Washer |
| 28 | 530-014016 | Crankcase Ass'y. (Incl. #39-42) | 77 | 530-027986 | Instruction Decal |
| 29 | 530-027545 | Switch Ramp | 80 | ★★★★★ | Washer-See Service Ref. 1 |
| 30 | 530-027958 | Switch Button | 81 | 530-029154 | Model Number Decal |
| 31 | 530-027959 | Switch Spring | 82 | 530-029042 | Shroud Decal |
| 32 | 530-014015 | Crankcase & Crankshaft Ass'y (#21, 28, 38 & 43) | | | |
| 33 | 530-015241 | Screw | | | |
| 34 | 530-015162 | Piston Pin Retainer | Not Shown | | |
| 35 | 530-025875 | Piston Ring | | | |
| 36 | † 530-019178 | Cylinder Gasket | | | |
| 37 | 530-069275 | Piston Kit (Incl. #34,35 & pin) | | 530-014054 | Carton Contents Bag |
| 38 | 530-015788 | Spacer | | | |
| 39 | 530-032103 | Inner Bearing | | | |
| 40 | 530-015787 | Retaining Ring | | | |
| 41 | 530-019158 | Crankshaft Seal | | | |
| 42 | 530-032102 | Outer Bearing | | | |
| 43 | 530-015789 | Crankshaft Retaining Ring | | | |
| 44 | 530-015717 | Screw | | | |
| 45 | 530-027781 | Muffler Guard | | | |
| 46 | 530-069257 | Muffler Kit | | | |
| 47 | 530-036409 | Muffler Attachment Spring | | | |
| 48 | 530-012235 | Cylinder | | | |

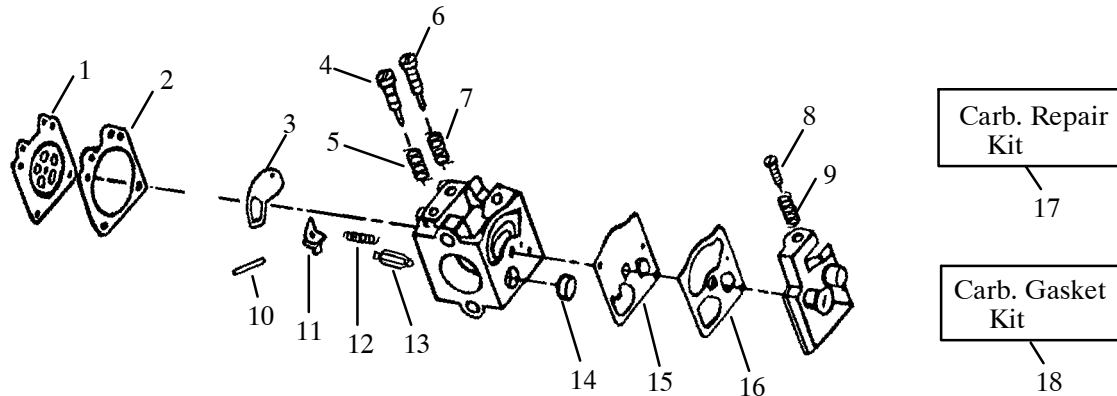
✓=Part Change

† =Engine Gasket Kit Contents

☆☆☆☆=Service Reference

| | | | |
|--|------------------|-------------------------------|-------------------------|
| PARTS LIST NO. 530-068502 - 7/21/92 | | WEED EATER® PARTS LIST | Trimmer Model: XT 50 |
| Page No. 4 | REPLACES NONE | | |

Carburetor Assembly Part Number 530-035259 WA-199



| Key No. | Part No. | Description | Key No. | Part No. | Description |
|---------|------------|----------------------------|---------|------------|---|
| 1 | 530-035014 | *+ Metering Diaphragm | 11 | 530-035031 | * Metering Lever |
| 2 | 530-035151 | *+ Metering Diaphragm Gas- | 12 | 530-035188 | * Metering Lever Spring |
| 3 | 530-035147 | *+ ket | 13 | 530-035106 | * Inlet Needle Valve |
| 4 | 530-035142 | Circuit Plate Gasket | 14 | 530-035178 | * Inlet Screen |
| 5 | 530-035036 | Hi Speed Needle | 15 | 530-035166 | *+ Pump Diaphragm |
| 6 | 530-035141 | Hi Speed Needle Spring | 16 | 530-035164 | *+ Pump Gasket |
| 7 | 530-035023 | Idle Needle | 17 | 530-035260 | Carb. Kwik Repair Kit (*Indicates Contents) |
| 8 | 530-035203 | Idle Needle Spring | 18 | 530-035186 | Carb. Gasket/Diaphragm Kit (+Indicates Contents) |
| 9 | 530-035208 | Idle Speed Screw | | | |
| 1 | 530-035028 | * Idle Speed Spring | | | |
| 0 | | Metering Lever Pin | | | |

SERVICE REFERENCE

1. Ignition Module Washer

Washer #530-015811, key number #80, page number 3 was used on some units having a serial number beginning with 1G268 and lower. When repairing units in this serial number range, the washer should be added if the unit is not so equipped. Units built with higher serial numbers do not require the washer.