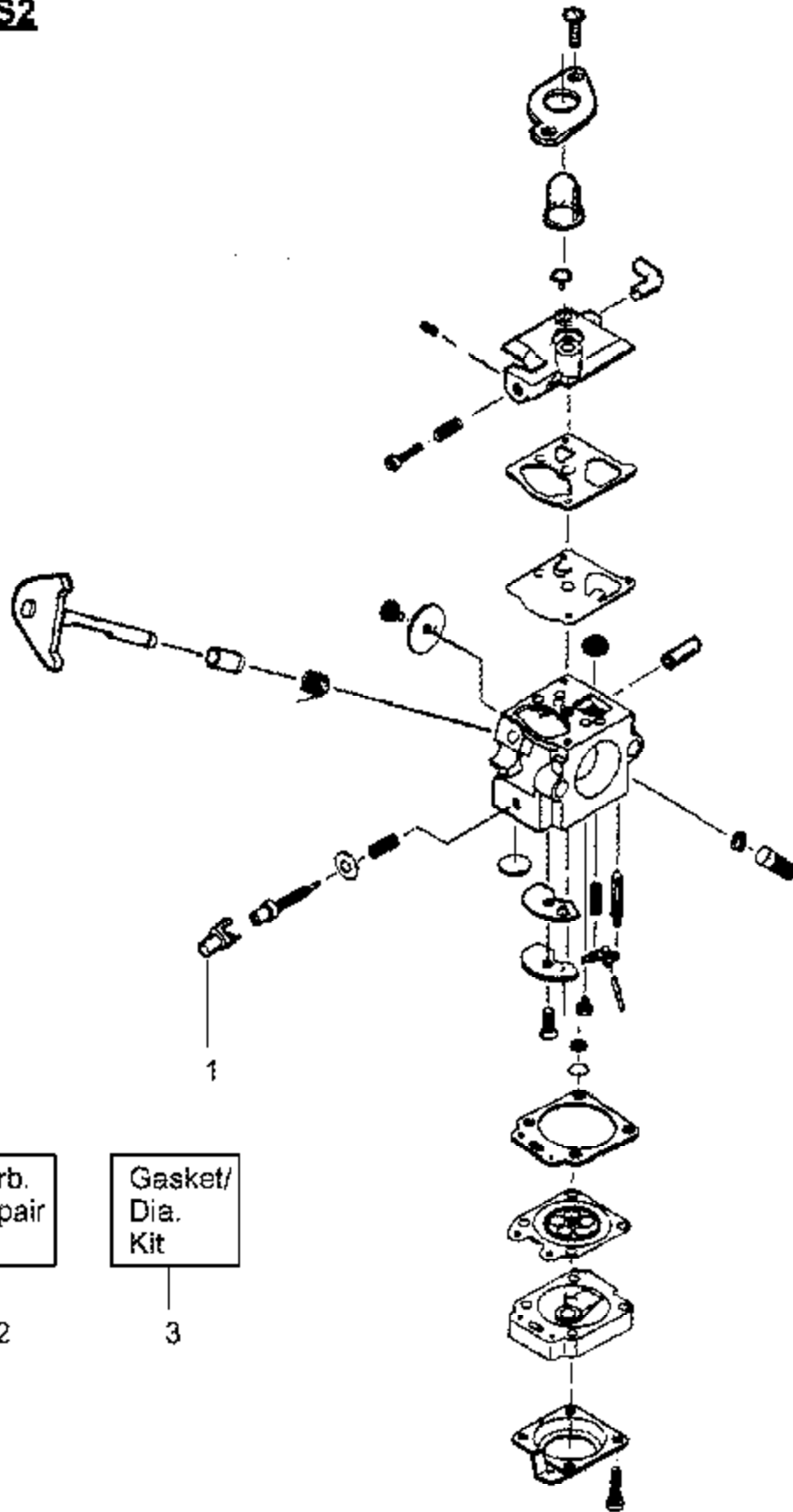


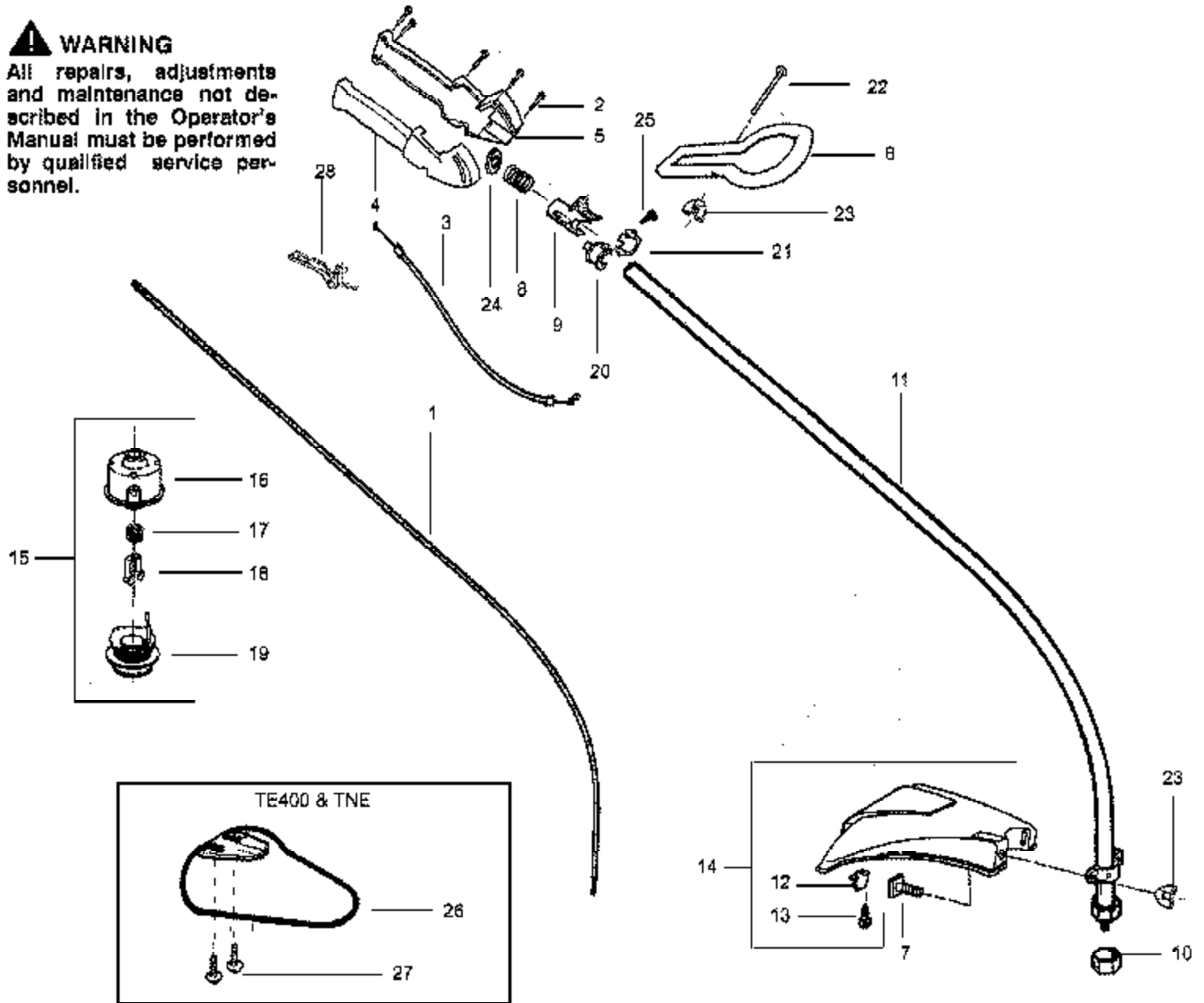
#530069754 - NonS2

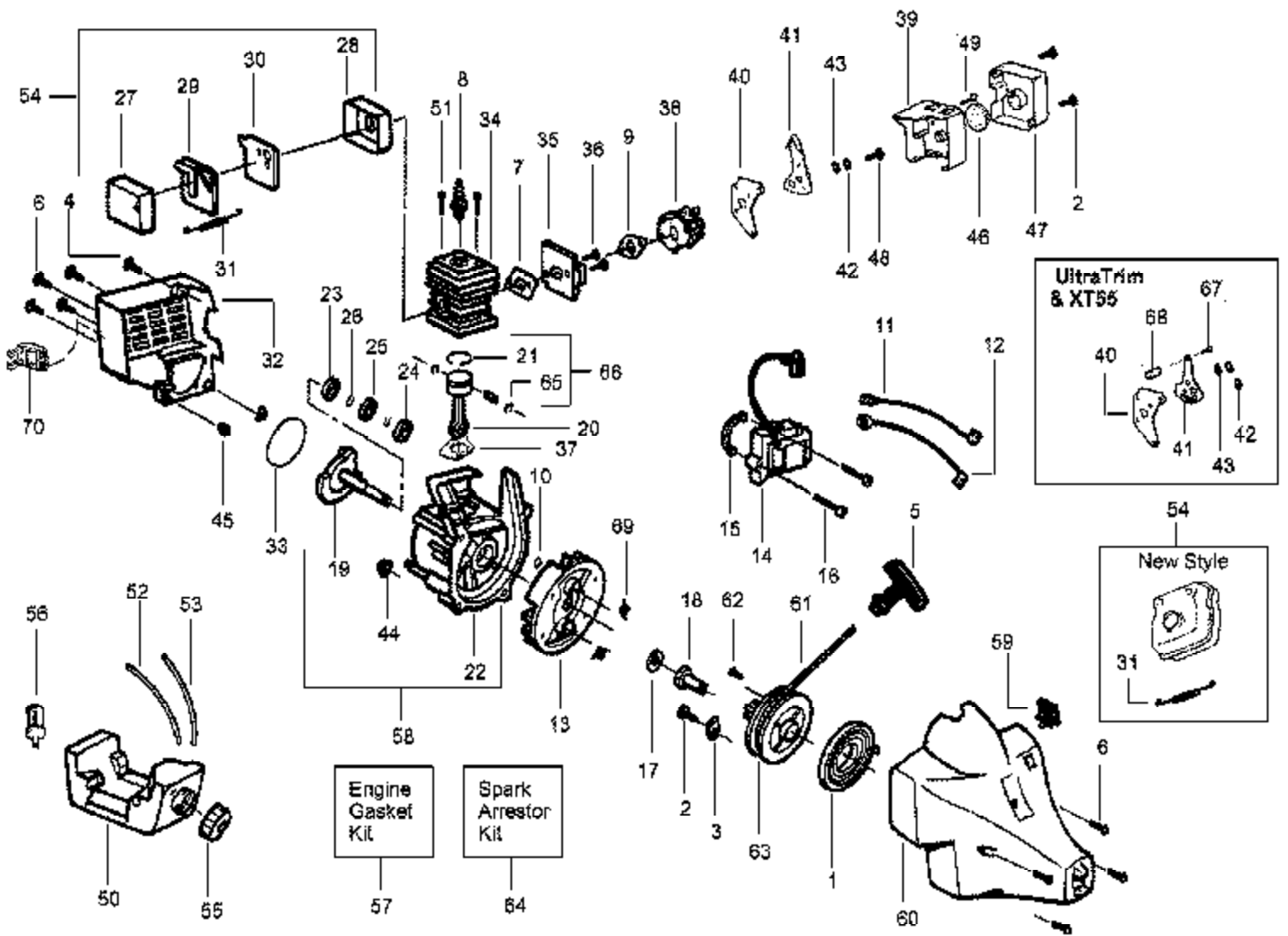
#530069755 - S2



⚠ WARNING

All repairs, adjustments and maintenance not described in the Operator's Manual must be performed by qualified service personnel.





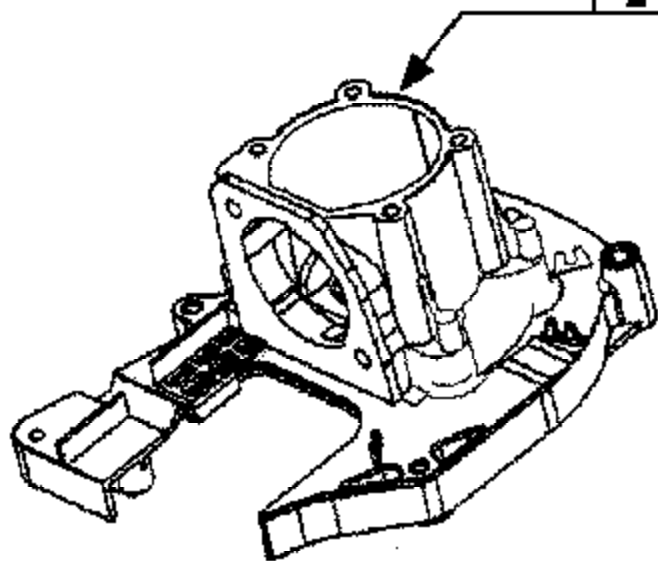
***** **SERVICE REFERENCE** *****

Note: When replacing item# 33 on page 2, please note if the surface indicated by the arrow is flat or has a beveled edge and order accordingly.

(A) Flat Surface - 530-019181 Gasket

(B) Beveled surface - 530-054624 O-ring

A



B

