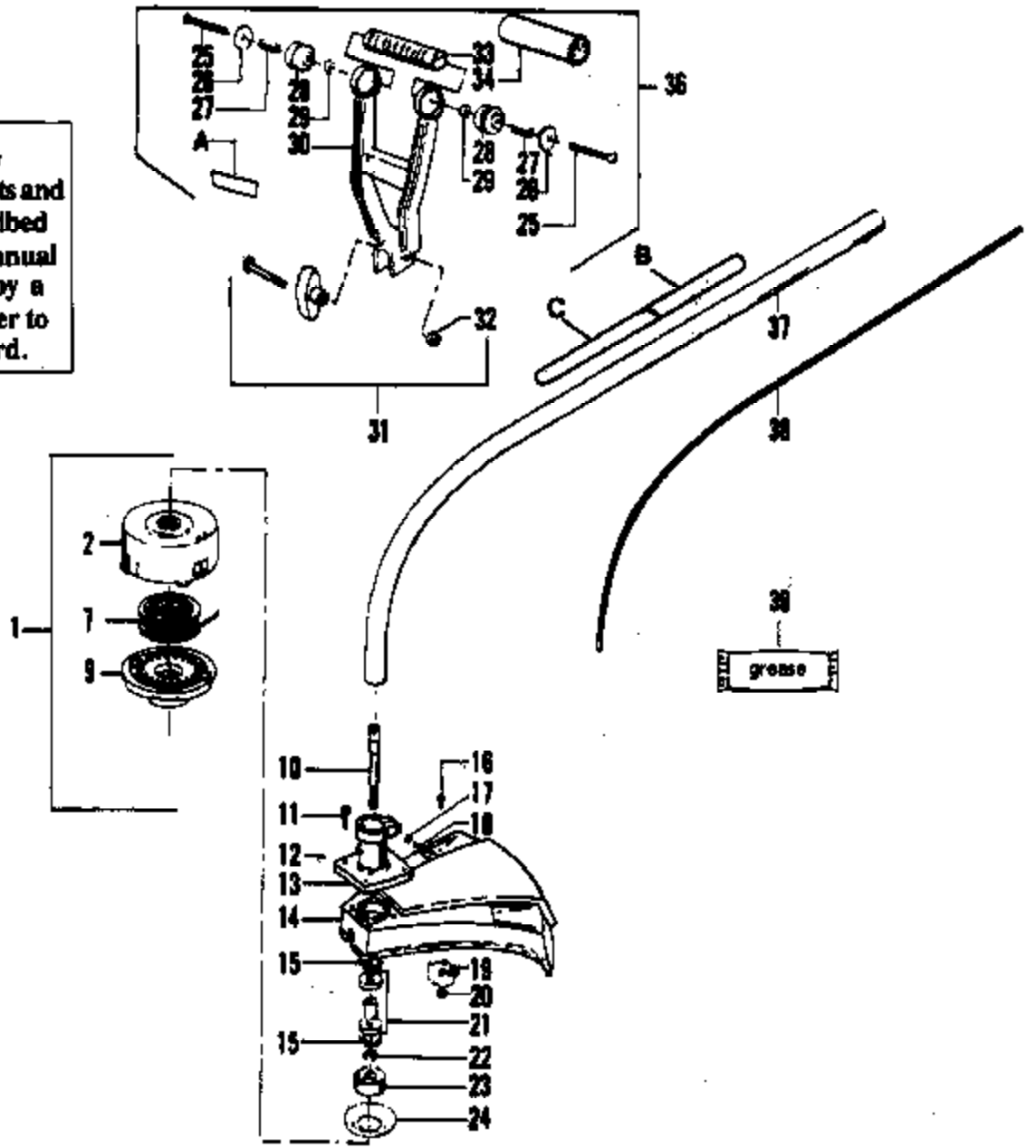


25 — **BLADE  
REMOVAL  
TOOLS**



Ref #	Part Number	Qty	Description
1	530094417		Shoulder Strap (inc. Key Ring)
3	530015791		Bolt-1/4-20x2" Hex
4	530093169		Barrier Handlebar
5	530094572		Handlebar Bracket
6	530012207		Handlebar Clamp
10	530092086		Grip-Handlebar
11	530625509		Screw-#1/4"-20x1" Hex
12	530092192		End Cap Handlebar
13	530001503		Washer-1/4" Flat
14	530001615		Nut-Deflector to Brg. Hsh. (#1/4-20)
15	530093751		Washer-Flat
16	530015492		Washer-Bevel
17	530093748		XR-80A Gas Trimmer
18	530094576		ACCESSORIES
19	952701546		Shield-Aluminum
20	530027615		Blade-4 Tooth Weed
21	530024855		Shield Retention Plate
22	530024932		Muffler Guard
23	530094598		Muffler Guard Spring
24	530015197		Clamp Harness Ass'y
25	530031130		Nut
26	530031111		Blade Removal Tools
27	530069252		Hex Wrench
A	530026229		"T" Handle Kit
B	530027621		Decal-Handlebar Warning
			Decal-Blade Rotation Warning

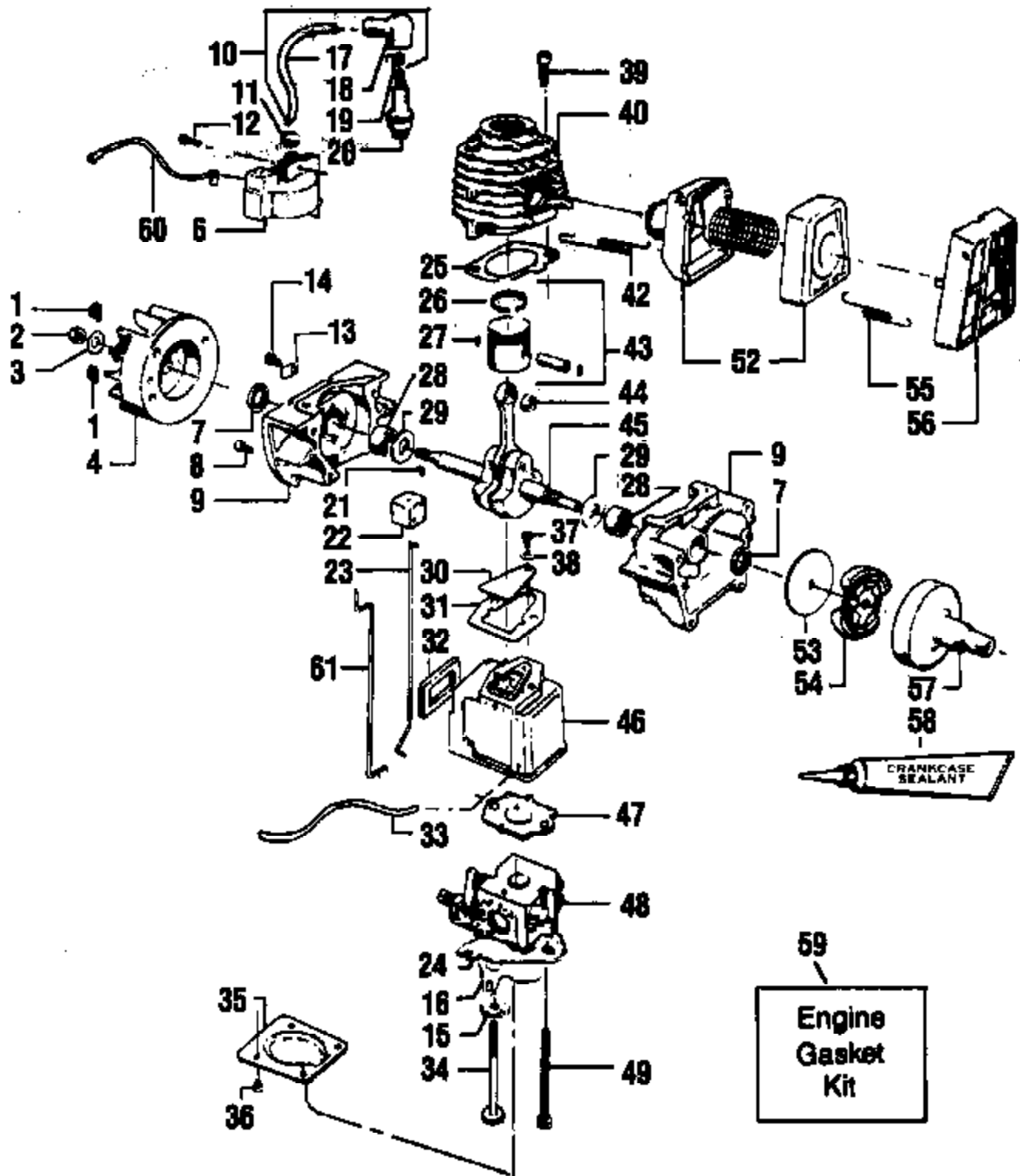
**⚠ WARNING**  
All repairs, adjustments and maintenance not described in the Operator's Manual must be performed by a qualified service dealer to avoid creating a hazard.



Ref #	Part Number	Qty	Description
1	952701605		Trimmer Head Ass'y. (Incl. #2, 7 & 9)
2	530094592		Hub w/Line Saver
7	952701607		Spool w/Line
8	530093387		Tap Button
9	530094494		Cover
10	530093846		Arbor Shaft
11	530092243		Screw-1/4-10 x 1-1/8"-Shield to Bearing Housing
12	530015518		Screw-#10-16 x 14"-Self Tapping
13	530093214		Bearing Housing Ass'y. (Incl. #10, 15, 17, 18, 21, 22 & 23)
14	530094594		Shield Assembly-18" (Incl. #16, 19 & 20)
15	530091783		Retainer-Bearing
16	530015037		Screw-#10-24 x 5/8"-Hex Hd. Line Limiter
17	530092227		Washer-1/4" Int. Tooth Lock
18	530625509		Screw-Pinch Clamp-#14-20 x 1"
19	530094570		Line Limiter Assembly
20	530015217		Nut-#10-24-Locking
21	530069086		Bearings & Spacer Kit
22	530092216		Washer-3/8"-Dust Cup
23	530092359		Dust Cup
24	530092218		Grass Washer
25	530015561		Screw-Pan Hd.-#12-11 x 2"
26	530024376		Cup-Isolator
27	530025985		Spacer Isolator
28	530024373		Isolator-Handle
29	530015209		Washer-1/4 Flat
30	530093859		Handle-Anti-Vibe
31	530069252		"T" Handle Kit
32	530015197		Nut
33	530025986		Center Section-Handle
34	530026009		Cushion-Handle Center Section
35	530015737		Screw-1/4-20 x 1-5/8"
36	530010642		Handle-Anti-vibe Assembly (Incl. #25-30, 33 & 34)
37	530093726		Drive Shaft Housing
38	530092261		Flexible Drive Shaft
39	530030102		Flex Shaft Lube
A	530026248		Decal-Anti-Vibe
B	530027429		Decal-Safety Label (Upper)
C	530027404		Decal-Safety Label (Lower)
	530067068		Operator's Manual Not Shown.
	530061008		Carton (Not a serviceable part) Not Shown.

XR-80A Gas Trimmer  
 W/Line Saver  
 CUTTING HEAD & DRIVE SH

Page 4 of 10



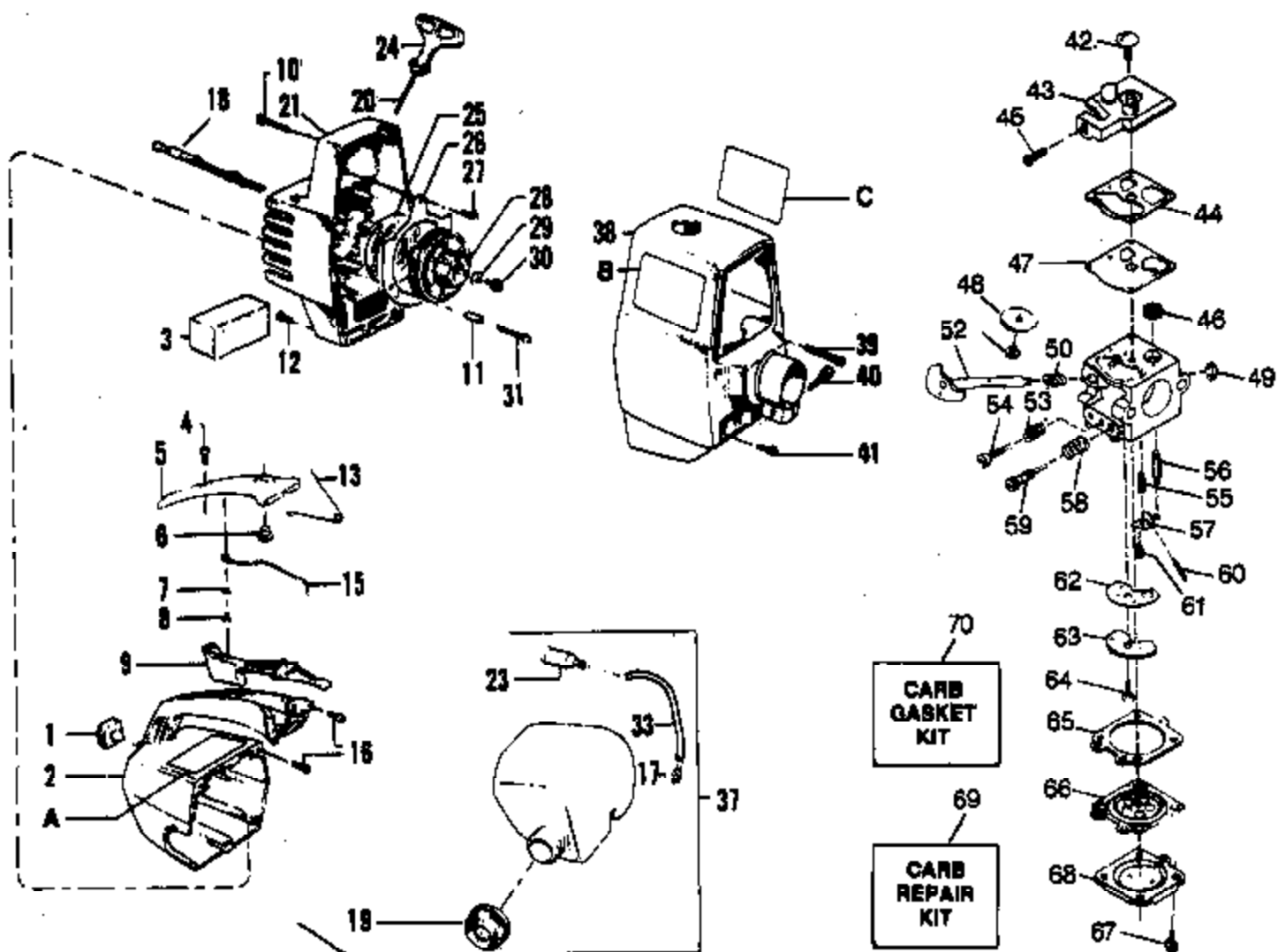
Ref #	Part Number	Qty	Description
1	530042059		Starter Dog Spring
2	530626605		Flywheel-Nut
3	530015127		Flywheel Washer
4	530039114		Flywheel Assembly (Incl. #1)
6	530069181		Ignition Module Kit
7	530019059		Crankcase Seal
8	530015369		Screw-Crankcase
9	530010757		Crankcase Assembly (Incl. #7, 28 & Qty. 4 of #8)
10	530039103		High Tension-Load Assembly Incl. #17, 18 & 19
11	530024435		Grommet-Plug Wire
12	530015128		Screw #8-32x3/4"- Fil. Hd.-Ignition Module
13	530024651		Choke Wire Clamp
14	530015004	XR-80A Gas Trippage 6 of 10	Screw
15	530015254	POWER UNW	Washer
16	530024558		Choke Shutter
17	530039082		High Tension Lead Wire
18	530003934		Spark Plug Boot
19	530003933		Spark Plug Lead Connector
20	530030077		Spark Plug (CJ-14)
21	530015126		Key-Flywheel
22	530023373		Boot-Throttle Choke Wire
23	530024902		Throttle Wire (Red)
24	530026237		Guide Plate
25	530019111		Cylinder Gasket
26	530026681		Ring-Piston
27	530015162		Retainer-Wrist Pin
28	530032029		Bearing-Crankcase
29	530015351		Washer-Thrust-Crankcase
30	530024438		Reed Valve
31	530019108		Gasket-Carburetor Case to Crankcase
32	530019105		Seal-Carburetor Case
33	530069238		Line Kit
34	530015404		Screw
35	530026029		Cover-Carburetor Case
36	530015235		Screw-#6-18x9/16"-Pan Hd.-Carburetor Case Cover
37	530015241		Screw-#5-19x5/16"-Pan Hd. Reed Valve
38	530023367		Washer-Reed Valve Screw
39	530015239		Screw-#14-20x3/4" Hex Socket Hd. Cylinder
40	530012191		Cylinder
42	530024903		Spring-Muffler Detachment
43	530069241		Piston Kit (Incl. #26, 27 & Pin)
44	530032092		Bearing-Wrist Pin
45	530010844		Crankshaft & Rod Assembly (Incl. #44)
46	530024409		Carburetor Housing
47	530019157		Gasket-Carburetor
48	530035183		Carburetor
49	530015379		Screw-#10-24x1-7/8"-Fil. Hd. Carburetor
52	530069243		Muffler Ass'y.
53	530069196		Kit-Clutch Washer
54	530069194		Kit-Clutch Assembly (Incl. Washer)
55	530024932		Spring-Muffler Guard
56	530024855		Guard-Muffler
57	530010797		Coupling & Bearing Assembly
58	530030054		Sealant-Crankcase (Not Supplied with Unit)
59	530069219		Kit-Engine Gasket
60	530024158		Lead Wire-Kill Switch

---

Ref #	Part Number	Qty	Description
61	530026236		Choke Wire

---

XR-80A Gas Trimmer Page 7 of 10  
POWER UNIT





Ref #	Part Number	Qty	Description
1	530024436		Bumper-Fuel Tank Housing
2	530024656		Handle & Fuel Tank Housing
3	530024371		Air Filter
4	530015247		Screw-#8-16x3/4"-Pan Hd. Handle Cover
5	530024661		Handle Cover
6	530026679		Kill Switch
7	530015412		Washer
8	530015407		Screw
9	530024365		Throttle Trigger
10	530015583		Screw-#10-24 x 1-1/2"-Sems-Fan Housing-Top
11	530026122		Air Baffle Spacer
12	530015582		Screw-#10-24x5/8"-Sems-Fan Housing-Bottom
13	530024461		Spring Trigger
15	530024407		Kill Switch Spring
16	530015367		Screw-#10-14x3/4"-Pan Head-Fan Hsg. to Handle & Fuel Tank
17	530026981		Fuel Line Fitting
18	530024303		Choke Knob
19	530010729		Fuel Cap Assembly (Incl. O-Ring)
20	530069232		Rope Kit
21	530069178		Fan Housing Kit
23	530010897		Fuel Pick-up Assembly
24	530026735		Starter Handle
25	530042067		Starter Recoil Spring
26	530026035		Air Baffle
27	530015544		Screw-#10-14x3/8"-Pan Hd.-Air Baffle If your unit has been serviced with the metal fan housing, use P/N 15373-10-24xl/4-Fil.HD.instead of 13544, and P/N 15305 10-24xl-3/16 Fil. HD. instead of P/N 15563.
28	530026048		Starter Pulley
29	530015123		Washer-Starter Pulley
30	530015479		Screw-#10x3/4" Hex Washer Hd.-Starter Pulley
31	530015563		Screw-#10-14x1-3/16" Air Baffle/Pump If your unit has been serviced with the metal fan housing, use P/N 15373-10-24xl/4-Fil.HD.instead of 13544, and P/N 15305 10-24xl-3/16 Fil. HD. instead of P/N 15563.
31			, Mounting
33	530069247		Line Kit
37	530010776		Fuel Tank Assembly (Incl. #17, 19, 23 & 33)
38	530011778		Shroud
39	530015376		Screw-#10-24x1-1/3"-Fil Hd.-Shroud (Top)
40	530093802		Pinch Clamp Bolt
41	530015168		Screw-#10-24x5/8"-Fil Hd.-Shroud (Bottom)
42	530035017		Screw-Pump Cover
43	530035191		Pump Cover Ass'y. (Incl. #4)
44	530035164		Gasket-Pump
45	530035156		Screw-Idle Adjustment
46	530035178		Screen Inlet Included in Carburetor Kwik Repair Kit.
47	530035166		Diaphragm-Pump
48	530035133		Valve-Throttle
49	530035007		Clip-Throttle Shaft
50	530035138		Spring-Throttle Return
51	530035015		Screw-Throttle Valve Included in Carburetor Kwik Repair Kit.
52	530035132		Shaft-Assembly Throttle

XR-80A Gas Trimmer  
STARTER & SHROUD

Page 9 of 10

Ref #	Part Number	Qty	Description
53	530035023		Spring-Idle Needle
54	530035141		Needle-Idle
55	530035139		Spring-Metering Lever Included in Carburetor Kwik Repair Kit.
56	530035106		Valve-Inlet Needle Included in Carburetor Kwik Repair Kit.
57	530035031		Lever-Metering Included in Carburetor Kwik Repair Kit.
58	530035036		Spring-Hi Speed Needle
59	530035142		Needle-High Speed
60	530035028		Pin-Metering Lever Included in Carburetor Kwik Repair Kit.
61	530035016		Screw-Metering Lever Pin
62	530035147		Gasket-Circuit Plate
63	530035042		Plate-Circuit
64	530035137		Screw-Circuit Plate Included in Carburetor Kwik Repair Kit.
65	530035151		Gasket-Metering Diaphragm
66	530035014		Diaphragm Assembly-Metering
67	530035153		Screw Assembly-Metering Cover & Throttle Shaft Clip
68	530035149		Cover-Metering Diaphragm
69	530035185		Kit-Carb Kwik Repair
70	530035186		Kit-Carb Gasket/Diaphragm
A	530027633		Decal-Starting Instructions (Not a serviceable part)
B	530027648		Decal-Shroud (Right)
C	530027649		Decal-Shroud (Left)

XR-80A Gas Engine of 10

STARTER & SHROUD