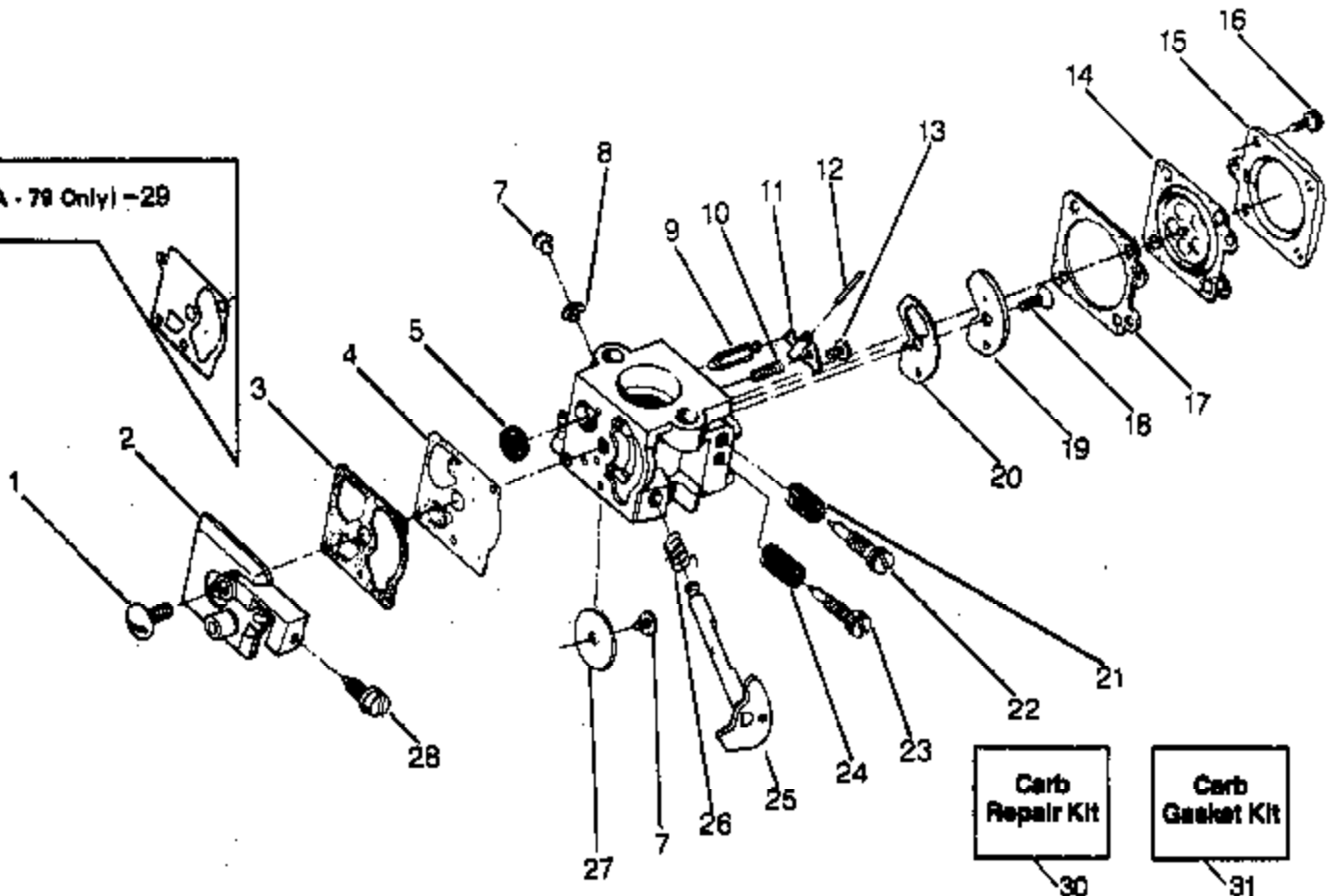
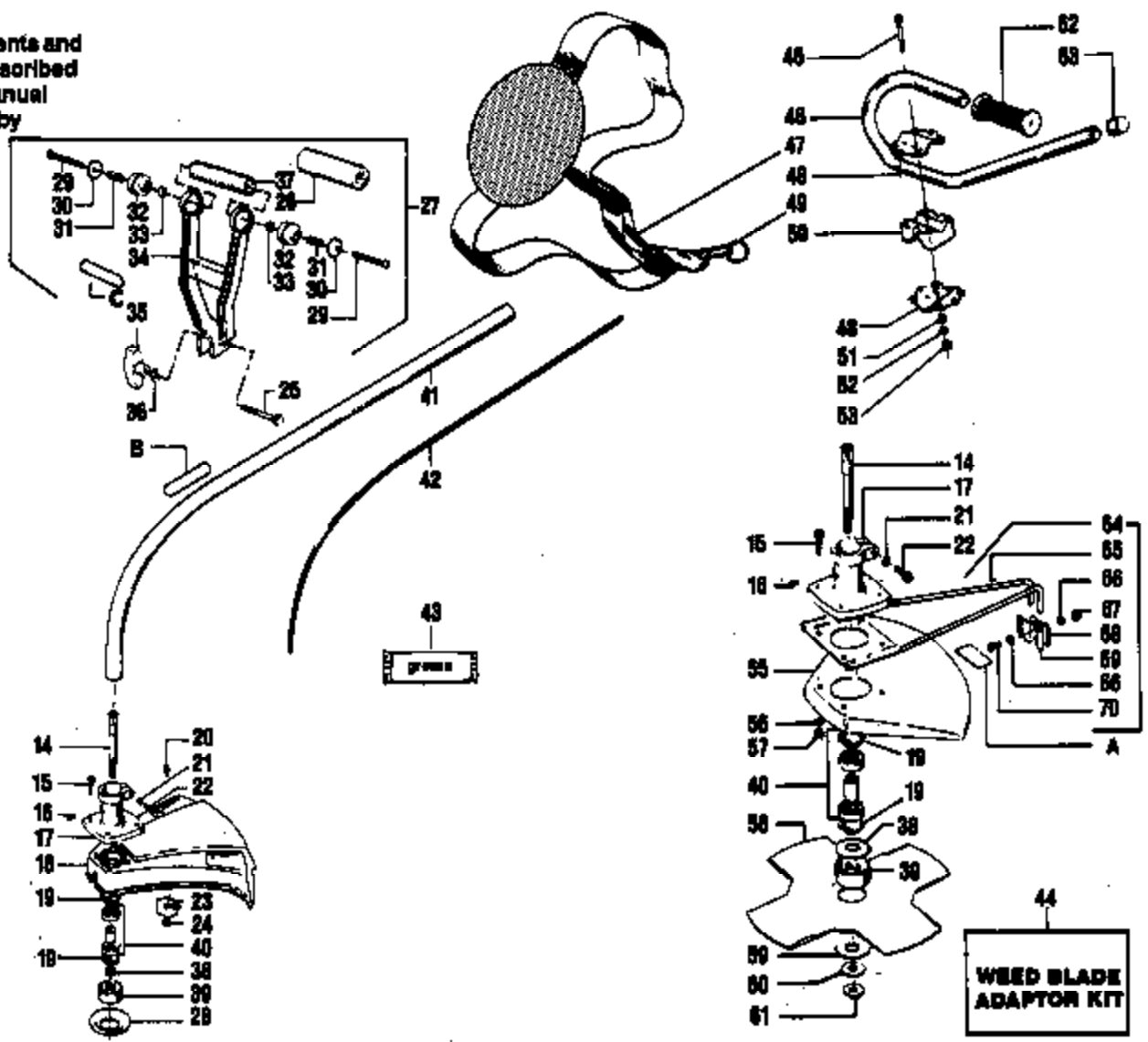
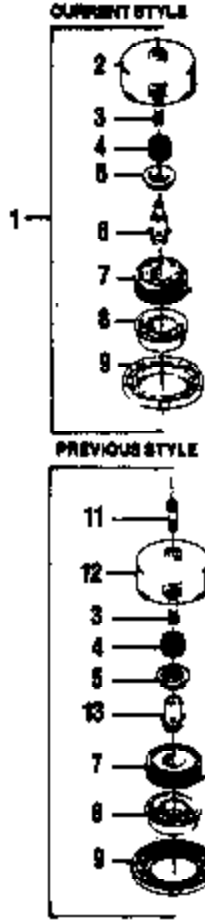


(WA - 78 Only) -29



Ref #	Part Number	Qty	Description
1	530035017	1	Screw - Pump Cover
2		1	Pump Cover Ass'y. (Inc. #28)
2	530035191		WA-149 (#35183)
2	530035154		WA-79
3		1	Gasket - Pump
3	530035164		WA-149 (#35183)
3	530035009		WA-79
4		1	Diaphragm - Pump
4	530035166		WA-149 (#35183)
4	530035152		WA-79
5	530035178	1	Screen-Inlet Included in Carburetor Kwik Repair Kit.
7	530035015	2	Screw - Throttle Shaft Included in Carburetor Kwik Repair Kit.
			XR-80 Gas Trim Page 2 of 11
			CARBURETORS WA-149, V
8	530035007	1	Clip - Throttle Shaft
9	530035106	1	Valve - Inlet Needle Included in Carburetor Kwik Repair Kit.
10	530035139	1	Spring - Metering Lever Included in Carburetor Kwik Repair Kit.
11	530035031	1	Lever - Metering Included in Carburetor Kwik Repair Kit.
12	530035028	1	Pin - Metering Lever Included in Carburetor Kwik Repair Kit.
13	530035016	1	Screw - Metering Lever Pin
14	530035014	1	Diaphragm Assembly - Metering
15	530035149	1	Cover - Metering Diaphragm
16	530035153	4	Screw Assembly - Metering Cover & Throttle Shaft Clip
17	530035151	1	Gasket - Metering Diaphragm
18	530035137	1	Screw - Circuit Plate Included in Carburetor Kwik Repair Kit.
19	530035042	1	Plate - Circuit
20	530035147	1	Gasket - Circuit Plate
21	530035036	1	Spring - Hi Speed Needle
22	530035142	1	Needle - Hi Speed
23	530035141	1	Needle - Idle
24	530035023	1	Spring - Idle Needle
25	530035132	1	Shaft Assembly - Throttle
26	530035138	1	Spring - Throttle Return
27	530035133	1	Valve - Throttle
28	530035156	1	Screw - Idle Adjustment
29	530035135	1	Diaphragm - Pump (WA-79 only)
30		1	Kit - Carb. Kwik Repair
30	530035186		WA-149 (#35183)
30	530035145		WA-79
31		1	Kit - Carb. Gasket/Diaphragm
31	530035185		WA-149 (#35183)
31	530035144		WA-79

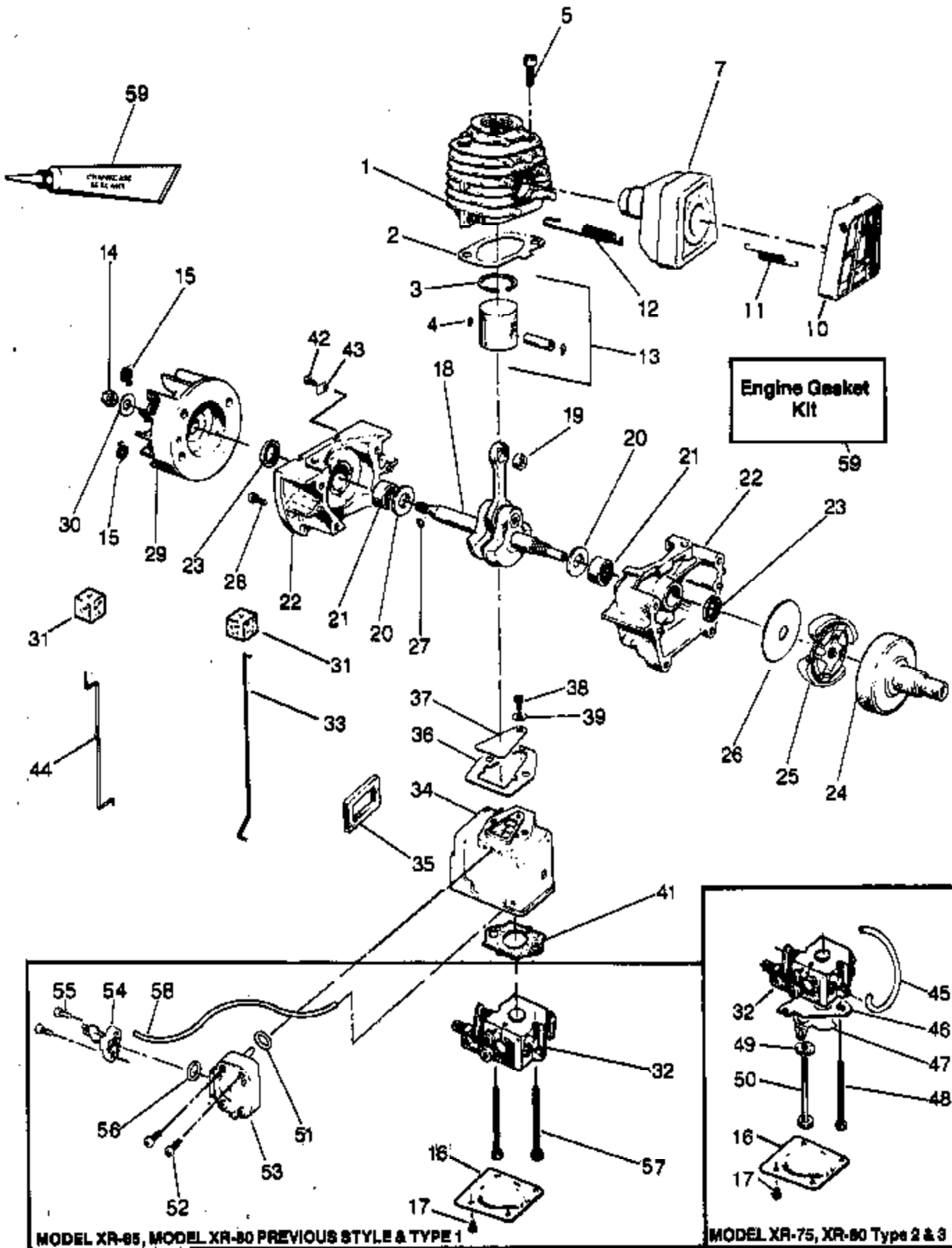
⚠ WARNING
 All repairs, adjustments and maintenance not described in the Operator's Manual must be performed by qualified service personnel.



Ref #	Part Number	Qty	Description
1	530093894	1	Cutting Head Ass'y - Current Style (Inc.2,9)
2	530093896	1	Hub w/Line Saver - Current Style
3	530093898	1	Line Saver
4	530092067	1	Spring
5	530092068	1	Adapator-Spring
6	530093897	1	Drive Gear - Current Style
7	952701523	1	Spool w/Line
8	530093387	1	Release Button
9	530092133	1	Cover
11	530092064	1	Bolt - Drive Adaptor - Previous Style
12	530092131	1	Hub w/Line Saver - Previous Style
13	530092069	1	Drive Gear - Previous Style
14	530093846	1	XR-80 Gas Trim Repair Kit of 11 Arbor Spat
15		4	CUTTING HEAD(S) & DRIVE Screw
15	530092243		Model XR-80
15	530625509		Model XR-75,XR-85
16	530015518	1	Screw - #10 - 16 x 1/4" - Self Tapping
17	530093214	1	Bearing Housing Ass'y (Inc. #14, 19, 21, 22, 38 & 39)
18	530093886	1	Shield Assembly - 18" (Inc. #20, 23 & 24) Model XR-80
19	530091783	2	Retainer - Bearing
20	530015037	2	Screw - #10 - 24 x 5/8" - Hex Hd. - Line Limter - Model XR-80
21	530092227	1	Washer - #1/4 Int. Tooth Lock
22	530625509	1	Screw - Pinch Clamp - #1/4 - 20 x 1" Model XR-80 only (Inc. #23-37)
23	530093853	1	Line Limiter
24	530015217	2	Nut - #10 - 24 - Locking
25	530015737	1	Hex Bolt
26	530026009	1	Cushion - Handle Center Section
27	530010642	1	Handle - Antivibe Assembly (Inc. #29-30)
28	530092218		WASHER, GRASS Z
	920092218	1	SCREW KAAZ #
29	530015561	2	Screw - Pan Hd. - #12 - 11 x 2"
30	530024376	2	Cup Isolator
31	530025985	2	Spacer - Isolator
32	530024373	2	Isolator - Vibration
33	530015209	2	Washer - #1/4 Flat
34	530093859	1	Handle - Antivibe
35	530092059	1	Knob - #1/4 - 20
36	530092062	1	Washer - #1/4 Flat
37	530025986	1	Center Section - Handle
38	530092216	1	Washer - #3/8 - Dust Cup
39	530092359	1	Dust Cup
40	530069086	1	Bearings & Spacer Kit
41	530093726	1	Drive Shaft Housing
42	530092261	1	Flexible Drive Shaft
43	530030102	1	Flex Shaft Lube
44	952701566	1	Weed Blade Adaptor Kit - Model XR-80 (Inc. #45-70)
45	530015405	4	Bolt - #1/4 - 20 x 2" Hex
46	530093169	1	Barrier Handlebar
47	530094417	1	Shoulder Strap
48	530092079	2	Clamp - Handleabr
49	530092231	1	Key Ring - Shoulder strap
50	530092081	1	Block - Handlebar
51	530001503	4	Washer - #1/4 Flat

Ref #	Part Number	Qty	Description
52	530001642	4	Washer - #1/4 Lock
53	530015197	4	Nut - #1/4 - 20 Hex
55	530092212	1	Shield - Aluminum
56	530001503	4	Washer - #1/4 Flat
57	530001615	4	Nut - Deflector to Brg. Hsg. (#1/4 - 20)
58	952701546	1	Blade - 4 Tooth Weed
59	530093751	1	Washer - #3/8 Flat
60	530015492	1	Washer - #1-1/8 - 3/8 Bevel
61	530093748	1	Flange Nut - #3/8 - 24
62	530092086	1	Grip - Handlebar
63	530092192	1	End Cap - Handlebar
64	530092244	1	Line Limiter Ass'y. (Inc. #65-70)
65	530092226	1	Line Limiter Bracket
66	530015158	4	Washer
67	530015064	2	Nut - #10 - 24 Locking
68	530092224	1	Clamp - Line Limiter Front
69	530092234	1	Clamp - Line Limiter Rear (Inc. Blade)
70	530015557	2	Screw - #10 - 24 x 3/8"
A	530024886	1	Decal - Blade Rotation Warning
B		1	Decal - Safety Label
B	530027429		Upper
B	530027404		Lower
C	530026248	1	Decal - Antivibe (Warning)
	952701569	1	Tap-N-Go Repair Kit for Old Style - Optional (Inc. #4-5, 8-9 & 13)
		1	Operator's Manual
	530064345		Model XR-75
	530066929		Model XR-80
		1	Carton
			, Model XR-75 Not Shown.
	530060632		Model XR-80
	530060633		Model XR-85

XR-80 Gas Trimmer
CUTTING HEAD(S) & DRIVE

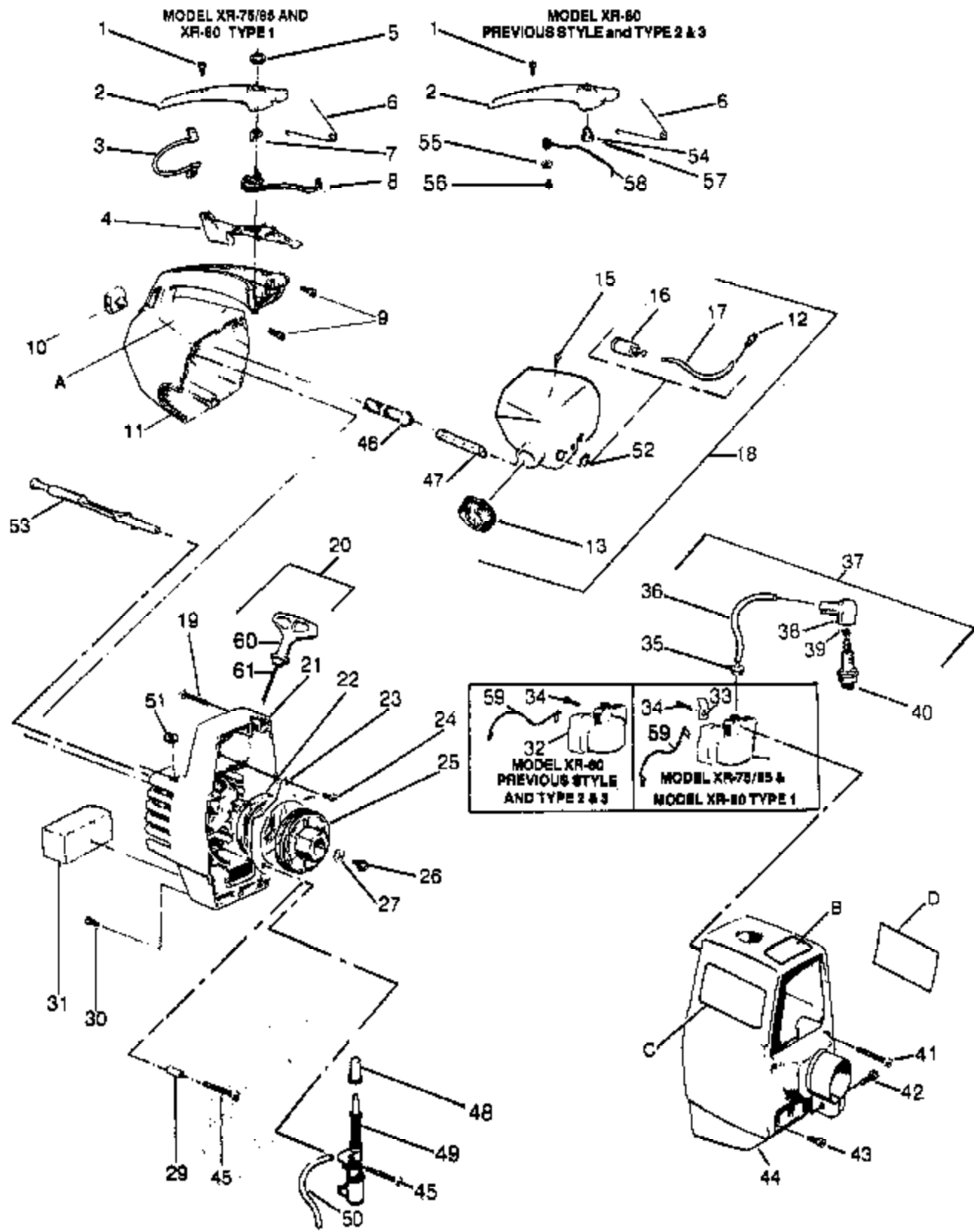


MODEL XR-65, MODEL XR-60 PREVIOUS STYLE & TYPE 1

MODEL XR-75, XR-60 Type 2 & 3

Ref #	Part Number	Qty	Description
1		1	Cylinder
1	530012071		Model XR-80,XR-85
1	530012070		Model XR-75
2	530019111	1	Gasket - Cylinder Included in Engine Gasket Kit.
3		1	Piston Ring
3	530024929		Model XR-85, XR-80 Type 1 & 2
3	530026681		Model XR-80 - Type 3
3	530024302		Model XR-75
4	530015162	2	Retainer - Wrist Pin
5	530015239	2	Screw #1/4 - 20 x 3/4" - Hex Soc. Hd. - Cylinder
7		1	Muffler Ass'y. - See Service Reference 8.
10	530024855	1	Guard - Muffler
11	530024932	2	Spring - Muffler Guard
12	530024903	2	Spring - Muffler Attachment
13		1	Piston Kit (Inc. #3, 4 & Pin)
13	530022238		Model XR-85,XR-80 Previous Style & Type 1 & 2
13	530069241		Model XR-80 - Type 3
13	530022198		Model XR-75
14	530626605	1	Nut - Flywheel
15	530042049	2	Spring - Starter Dog
16		1	Cover - Carburetor Case
16	530026029		Model XR-80,XR-85
16			Model XR-75 - See Service Ref. 4
17	530015235	4	Screw - #8 - 18 x 9/16" - Pan Hd Carburetor Case Cover
18		1	Crankshaft & Rod Ass'y.
18	530022202		Model XR-75,XR-85, XR-80 Previous Style & Type 1, 2
18	530010844		Model XR-80 - Type 3 Only
19		1	Bearing - Wrist Pin
19	530032057		Model XR-75,XR-85, XR-80 Previous Style & Type 1, 2
19	530032092		Model XR-80 - Type 3 Only
20	530015351	2	Washer - Thrust - Crankcase
21	530032029	2	Bearing - Crankshaft
22	530010757	1	Crankcase Ass'y. (Inc. #21, 23 & Qty. 1 of #28)
23	530019059	2	Seal - Crankcase Included in Engine Gasket Kit.
24	530010797	1	Drum & Coupling Assembly
25	530069194	1	Kit - Clutch Assembly (Inc. Clutch Washer) - See Service Ref. 1 & 7
26	530069196	1	Kit - Clutch Washer
27	530015126	1	Key - Flywheel
28	530015369	4	Screw - #10 - 24 x 5/8" Fil. Hd. - Crankcase
29	530039114	1	Flywheel Assembly (Inc. #15)
30	530015127	1	Washer - Flywheel
31	530023373		Boot - Throttle/Choke Wire Included in Engine Gasket Kit.
31		1	Model XR-85, XR-80 Previous Style & Type 1
31		2	Model XR-75, XR-80 Type 2 & 3
32	530035183	1	Carburetor (See Service Ref. 2 - for Model XR-75 only)
33		1	Throttle Wire
33	530024902		Model XR-75, XR-80 Type 2 & 3
33	530026177		Model XR-85, XR-80 - Previous Style & Type 1
34		1	Carburetor Case
34	530026046		Model XR-85, XR-80 Previous Style & Type 1
34	530024409		Model XR-75, Model XR-80 - Type 2 & 3
35	530019105	1	Seal - Carburetor Case Included in Engine Gasket Kit.
36	530019108	1	Gasket - Carburetor Case to Crankcase Included in Engine Gasket Kit.

Ref #	Part Number	Qty	Description
37	530024438	1	Reed Valve
38	530015241	1	Screw - #6 - 19 x 5/16" - Pan. Hd. - Reed Valve
39	530023367	1	Washer - Reed Valve Screw
41	530019115	1	Gasket - Carburetor Included in Engine Gasket Kit.
42	530015004	1	Screw - #8 - 32 x 5/16" - Choke Wire Clamp
43	530024651	1	Clamp - Choke Wire
44		1	Choke Wire -
44			XR-75, See Service Ref. 4
44	530026236		Model XR-80 - Type 2 & 3
45		1	Fuel Line - Carburetor
45	530021043		Model XR-75, XR-80 - Type 2
45	530069238		Model XR-80 - Type 3
46		1	XR-80 Gas Trim Piece of 11
46		1	Guide Plate Choke Wire
46			POWER UNIT
46			Model XR-75 - See Service Ref. 4
46	530026237		Model XR-80 - Type 2 & 3
47	530024558	1	Shutter - Choke
48	530015379	1	Screw - #10 - 24 x 1-7/8" - Carburetor
49	530015254	1	Washer - Wave
50	530015404	1	Screw - #10 - 24 x 2-1/8" - Carburetor Shoulder
51	530019131	1	O-Ring (Orifice)
52	530015565	2	Screw - #8 - 18 x 1" - Accumulator
53	530010651	1	Accumulator Assembly (Inc. #51 & 54)
54	530010677	1	Cap Assembly - Accumulator (Inc. #56)
55	530015235	2	Screw - #8 - 16 x 9/16"
56	530019128	1	O-Ring (Accumulator Chamber)
57	530015566	2	Screw - #10 - 24 x 2-1/4" - Fil. Hd. - Carburetor
58	530021055	1	Fuel Line - Carburetor
59	530069219	1	Engine Gasket Kit



Ref #	Part Number	Qty	Description
1	530015247	1	Screw - #8 - 16 x 3/4" Pan Hd. - Handle Cover
2		1	Handle Cover
2	530024665		Model XR-75,XR-85,XR-80 Type 1
2	530024661		Model XR-80 Previous Style & Type 2, 3
3	530039122	1	Wire - Lead - Grounding Switch
4	530024365	1	Throttle Trigger
5	530023575	1	Nut - Grounding Switch
6	530024461	1	Spring - Trigger
7	530024569	1	Washer - Grounding Switch
8	530069182	1	Kit - Grounding Switch (Inc. #3, 5, 7 & 33)
9	530015367	2	Screw - #10 - 14 x 3/4" - Fan Hsg. to Handle
10	530024436	1	Bumper - Fuel Tank Hsg.
11	530024656	1	Handle & Fuel Tank Hsg.
12		1	XR-80 Gas Tank & Fuel Tank Hsg.
12		1	STARTER & SHROUD
12	530025472		Fuel Line Fitting
12	530026981		Model XR-75; Model XR-80 - Type 2
12	530026981		Model XR-80 Type 3
13	530010729	1	Fuel Cap Ass'y (Inc. "O" Ring)
15	530026119	1	Duckbill Valve - Fuel Tank
16		1	Fuel Pick-up Ass'y.
16	530091878	1	Model XR-75
16	530026931		Model XR-85, XR-80 Type 1 & 2
16	530010897		Model XR-80 - Type 3
17	530021054		Model XR-85, XR-80 Type 1 & Previous Style
17	530021042		Model XR-75
17	530069247		Line Kit - Model XR-80-Type 2 & 3
18		1	Fuel Tank Ass'y.
18	530010776		Model XR-75, XR-80 - Type 2 & 3
18	530010773		Model XR-85, Model XR-80 - Type 1
19		2	Screw - #10 - 24 x 1-1/2" Fil Hd. - Fan Hsg. Top
19	530015376		Model XR-75/85
19			Model XR-80 - See Service Ref. 6
20		1	Ass'y - Rope & Starter Handle
21	530069178	1	Kit - Fan Housing
22		1	Spring Starter Pulley
22	530042067		Model XR-80,XR-85
22			Model XR-75 - See Service Ref. 3.
23	530026035	1	Air Baffle
24		2	Screw - #10 - 24 x 3/8" Fil. Hd. - Air Baffle
24	530015373		Model XR-75,XR-85
24			Model XR-80 - See Service Ref. 6.
25		1	Starter Pulley
25	530026048		Model XR-80,XR-85
25			Model XR-75 - See Service Ref. 3
26		1	Screw - #10 - 24 x 1/2" - Starter Pulley
26	530015036		Model XR-75,XR-85
26			Model XR-80 - See Service Ref. 6.
27	530015123	1	Washer - #10 - Starter Pulley Screw
29	530026122	1	Spacer - Air Baffle - Model XR-75, Model XR-80 Type 2 & 3
30		2	Screw - #10 - 24 x 5/8" Fil. Hd. - Fan Hsg. Bottom
30	530015168		Model XR-75,XR-85
30			Model XR-80 - See Service Ref. 6.
31	530024371	1	Air Filter
32	530069181	1	Kit-Ignition Module
33	530025995	1	Electrical Tab - Model XR-75/85 and XR-80 Type 1
34	530015128	2	Screw - #8 - 32 x 3/4" Fil. Hd.-Ignition Module
35	530024435	1	Grommet - Plug Wire

Ref #	Part Number	Qty	Description
36	530039082	1	High Tension Lead Wire
37	502039103		REP BY 502271102
	30039103	1	
38	530003934	1	Boot - Spark Plug
39	530003933	1	Connector - Spark Plug Lead
40	530030077	1	Spark Plug (CJ-14)
41	530015376	2	Screw - #10 - 24 x 1-1/2" - Shroud Top
42	530093802		OBSOLETE
	506093802	1	ACTUATOR
43	530015168	2	Screw - #10 - 24 x 5/8" Shroud Bottom
44	530011778	1	Shroud
45		1	Screw - #10 - 14 x 1-3/16"
45	530015305		XR-80 Gas Tip Part #15 of #15
45			Model XR-75, XR-85
45			STARTER & SHROUD
			Model XR-80 - See Service Ref. 6
46	530026109	1	Filter - Fuel (Inlet Line)
47	530021052	1	Line - Fuel Inlet
48	530026032	1	Injector Button
49	530010738	1	Pump Assembly (Inc. #50)
50	530021053	1	Line - Pump to Accumulator
51	530026118	1	Bearing - Nyliner
52	530026178	1	Clip - Retainer - Inlet Line - Fuel Tank
53	530024303	1	Choke Knob
54	530026679	1	Button - Kill Switch
55	530015412	1	Washer - Kill Switch
56	530015407	1	Screw - #8 - 16 x 3/8" Pan Hd. Kill Switch
57	530021036	1	Insulation - Switch Spring Previous Style Only
58	530024407	1	Spring - Kill Switch
59	530024158	1	Lead Wire - Kill Switch - All Models
60	530026735	1	Starter Handle
61	530069232	1	Rope Kit
A		1	Decal - Starting Instructions
A	530025175		Model XR-75
B	530026511		Model XR-85
B	530026512		Model XR-80 - Previous Style
B	530026719		Model XR-80 - Type 1
B	530027310		Model XR-80 -Type 2
B	530027462		Model XR-80 -Type 3
C		1	Decal - Shroud (right)
C	530026138		Model XR-80 - Type 1, 2
C	530027346		Model XR-80 - Type 3
C	530026141		Model XR-85
C	530024983		Model XR-75
D	530026139		Model XR-80 - Type 1, 2
D	530027347		Model XR-80 - Type 3
D	530026142		Model XR-85
D	530024982		Model XR-75