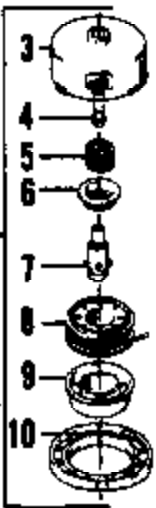


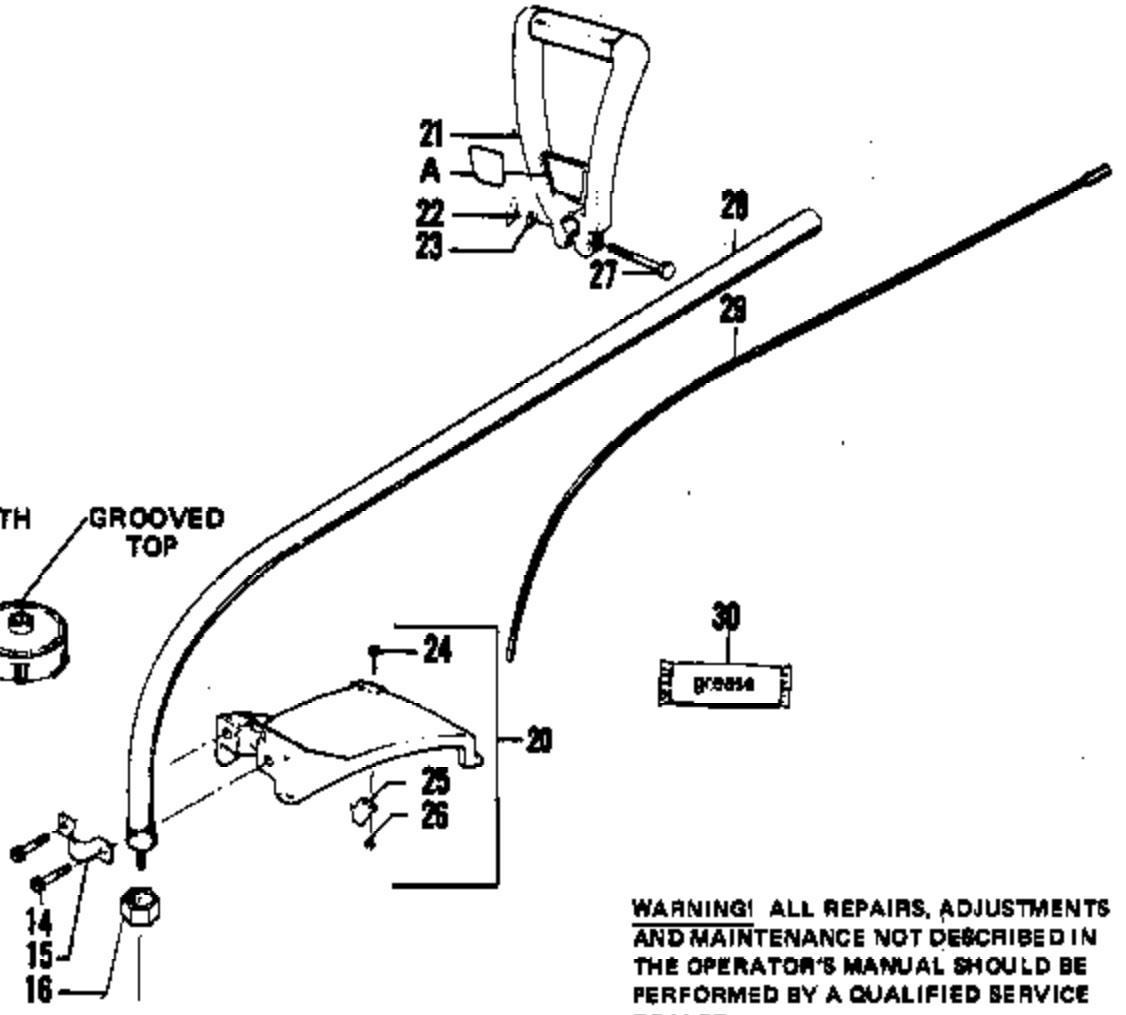
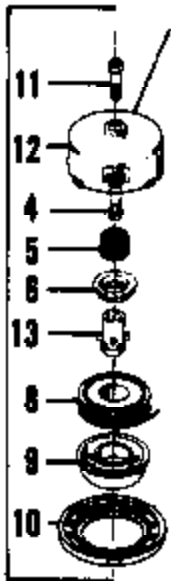
Ref #	Part Number	Qty	Description
1	530035017	1	Screw - Pump Cover
2		1	Pump Cover Ass'y (Inc.4)
2	530035154		WA - 79
2	530035191		WA - 149 (#35183)
3	530035135	1	Diaphragm - Pump WA - 79 Only
4	530035156	1	Screw - Idle Adjustment
5		1	Gasket - Pump
5	530035009		WA - 79
5	530035164		WA - 149 (#35183)
6	530035178	1	Screen - Inlet Included in Carburetor Kwik Repair Kit.
7		1	Diaphragm - Pump
7	530035152		WA - 79
7	530035166		WA - 149 (#35183)
8	530035133	1	Valve - Throttle
9	530035007	1	Clip - Throttle Shaft
10	530035138	1	Spring - Throttle Return
11	530035015	1	Screw - Throttle Valve Included in Carburetor Kwik Repair Kit.
12	530035132	1	Shaft Assembly - Throttle
13	530035023	1	Spring - Idle Needle
14	530035141	1	Needle - Idle
15	530035139	1	Spring - Metering Lever Included in Carburetor Kwik Repair Kit.
16	530035106	1	Valve - Inlet Needle Included in Carburetor Kwik Repair Kit.
17	530035031	1	Lever - Metering Included in Carburetor Kwik Repair Kit.
18	530035036	1	Spring - Hi Speed Needle
19	530035142	1	Needle - Hi Speed
20	530035028	1	Pin - Metering Lever Included in Carburetor Kwik Repair Kit.
21	530035016	1	Screw - Metering Lever Pin
22	530035147	1	Gasket - Circuit Plate
23	530035042	1	Plate - Circuit
24	530035137	1	Screw - Circuit Plate Included in Carburetor Kwik Repair Kit.
25	530035151	1	Gasket - Metering Diaphragm
26	530035014	1	Diaphragm Assembly - Metering
27	530035153	4	Screw - Assembly - Metering Cover & Throttle Shaft Clip
28	530035149	1	Cover - Metering Diaphragm
29		1	Kit Carb - Kwik Repair
29	530035144		WA - 79
29	530035185		WA - 149 (35183)
30		1	Kit Carb.- Gasket/Diaphragm
30	530035145		WA - 79
30	530035186		WA - 149 (#35183)

XR-30 Gas Trimmer Page 2 of 8
 CARBURETORS WA-149 & WA-149 (#35183)

NEW STYLE

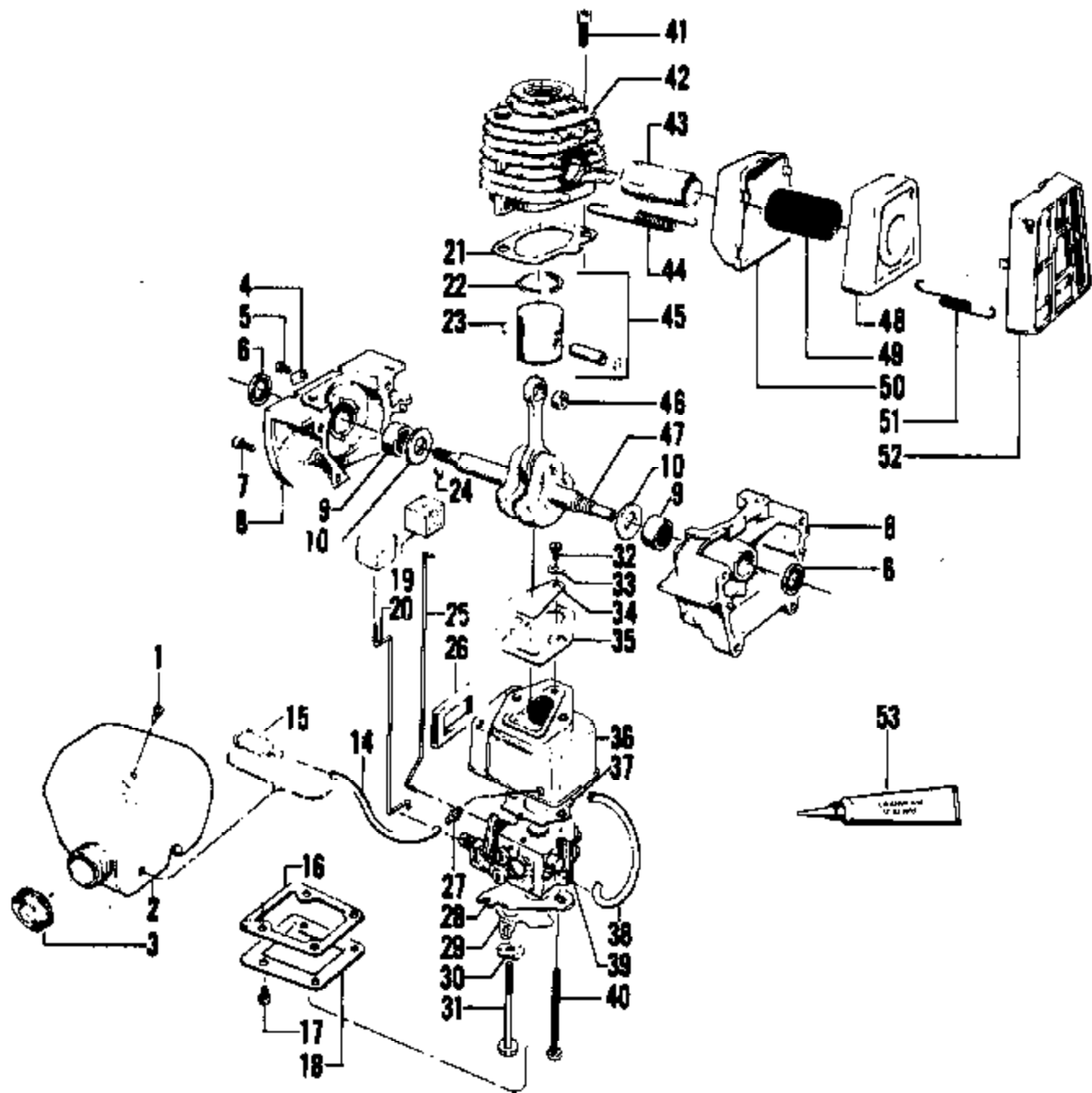


OLD STYLE



WARNING! ALL REPAIRS, ADJUSTMENTS AND MAINTENANCE NOT DESCRIBED IN THE OPERATOR'S MANUAL SHOULD BE PERFORMED BY A QUALIFIED SERVICE DEALER.

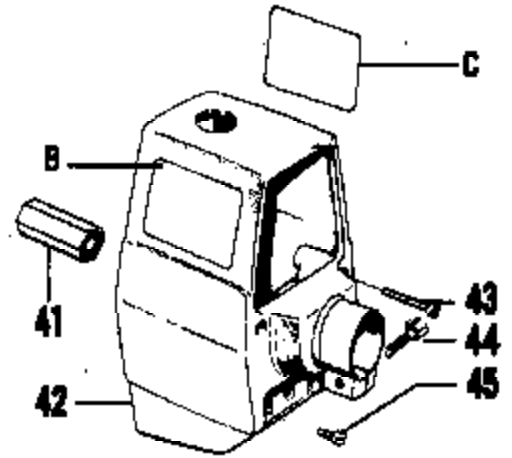
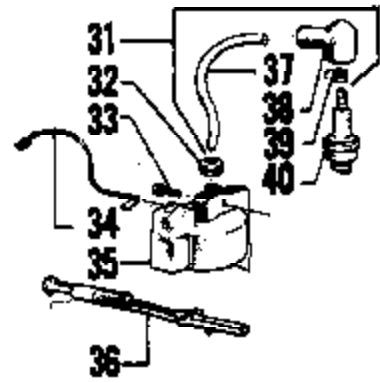
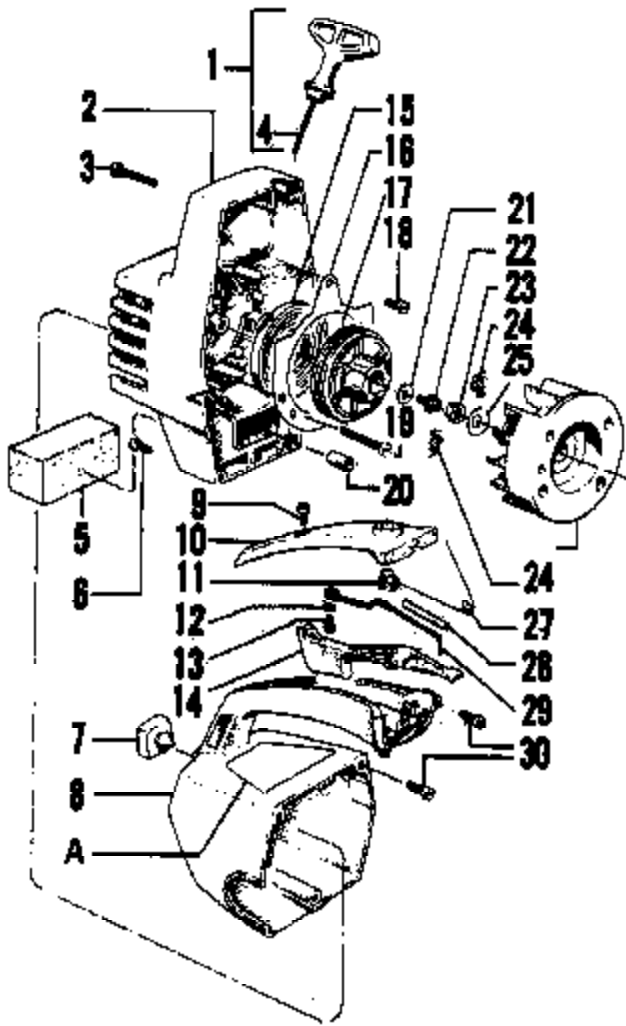
Ref #	Part Number	Qty	Description
1	530093894	1	Cutting Head Ass'y - New Style (Inc.3-10)
3	530093896	1	Hub w/Line Saver - New Style
4	530093898	1	Line Saver
5	530092067	1	Spring
6	530092068	1	Adaptor - Spring
7	530093897	1	Drive Gear - New Style
8	952701523	1	Spool w/Line
9	530093387	1	Release Button
10	530092133	1	Cover
11	530092064	1	Bolt - Drive Adaptor - Old Style
12	530092131	1	Hub w/Line Saver - Old Style - See Service Ref. 4
13	530092069	1	Drive Gear - Old Style
14		2	XR-30 Gas Trim Page 4 of 8 Screw - Shield See Service Reference 6
15	530093653	1	CUTTING HEAD & DRIVE SHIELD Bracket - Shield
16	530093716	1	Dust Cup
20		1	Kit - Shield Ass'y. (Inc.14,24,25,26) See Service Reference 6
21	530010722	1	Assist Handle
22	530091373	1	Wing Nut - #1/4 - 20
23	530092062	1	Washer - #1/4 Flat
24	530015337	2	Screw - Line Limiter (#10 - 24 x 1")
25	530093853	1	Limiter - Line
26	530015064	2	Nut - Line Limiter
27	530092061	1	Hex Bolt - #1/4 - 20 x 2-1/4"
28	530093757	1	Drive Shaft Ass'y (Inc.16)
29	530093575	1	Flexible Shaft Ass'y
30	530030102	1	Flex Shaft Lube (Optional)
A	530026225	1	Decal - "D" Handle Warning
	952701569	1	Tap-N-Go Repair Kit for Old Style-(Inc.5,6,9, , 10,13) - Optional
	530066249	1	Operator's Manual



Ref #	Part Number	Qty	Description
1	530026119	1	Check Valve - Duck Bill
2	530010776	1	Fuel Tank Ass'y (Inc.1, 3, 14 & 15)
3	530010729	1	Fuel Cap Ass'y (Incl. "O" Ring)
4	530024651	1	Clamp - Choke Wire
5	530015004	1	Screw - Choke Rod Clamp (Pan Head - 8 - 32 x 5/16)
6	530019059	2	Seal - Crankcase
7	530015168	4	Screw - Crankcase (Fil. Hd. - 10 - 24 x 5/8)
8	530010316	1	Crankcase Assembly (Inc.6, 7, 9 & Qty. 4 of 7)
9	530032058	2	Bearing - Crankcase
10	530015351	2	Washer - Thrust - Crankcase
14	530021042	1	Fuel Line
15	530091878	1	Fuel Pick-up Ass'y
16	530019112	1	Gasket - Carburetor Case Cover
17	530015235	4	Screw - Carb. Case Cover (Pan Head - 8 - 18 x 9/16)
18		1	Cover - Carburetor Case - See Service Ref. 3.
19	530023373	2	Boot - Throttle - Choke Wire
20		1	Choke Wire - See Service Ref. 3.
21	530019111	1	Gasket - Cylinder
22	530024302	1	Ring - Piston
23	530015162	2	Retainer - Wrist Pin
24	530015126	1	Key - Flywheel
25	530024902	1	Throttle Wire
26	530019105	1	Seal - Carburetor Case
27	530025472	1	Fuel Line Fitting
28		1	Choke Wire Guide Plate See Service Ref. 3.
29	530024558	1	Choke Shutter
30	530015254	1	Washer - Wave
31	530015404	1	Screw - Carb. Shoulder (Fil. Head - 10 - 24 x 2-1/8)
32	530015241	1	Screw - Reed Valve (Pan Head - 6 - 19 x 5/16)
33	530023367	1	Washer - Reed Valve Screw (Flat No. 6)
34	530024438	1	Reed Valve
35	530019108	1	Gasket - Carb. Case to Crankcase
36	530024409	1	Carburetor Housing
37	530019115	1	Gasket - Carburetor
38	530021043	1	Fuel Line Carburetor
39	530035183	1	Carburetor - See Service Ref. 1.
40	530015379	1	Screw - Carb. (Fil. Hd. - 10 - 24 x 1-7/8)
41	530015239	2	Screw - Cylinder (Soc. Hd. - 1/4 - 20 x 3/4)
42	530012070	1	Cylinder
43	530024363	1	Diffuser - Muffler
44	530024903	2	Spring - Muffler Detachment
45	530022198	1	Piston Assembly (Inc.22, 23 & Pin)
46	530032057	1	Bearing - Wrist Pin
47	530022202	1	Crankshaft & Rod. Ass'y
48	530024361	1	Cover - Muffler
49	530024364	1	Screen - Spark Arresting
50	530024362	1	Body - Muffler
51	530024932	2	Spring - Muffler Guard
52	530024855	1	Guard - Muffler
53	530030054		Sealant - Crankcase (Optional)

XR-30 Gas Trimmer Page 6 of 8

POWER UNIT



Ref #	Part Number	Qty	Description
1		1	Ass'y Rope & Handle - Starter - See Service Reference 2.
2	530069178	1	Fan Hsg. Kit (Inc.16, 18, 19, 20, & 28)
3		2	Screw - #10 - 24 x 1-1/2" -Sems Fan Housing - - Top See Service Reference 5
4	530022290	1	Rope (3.5 ft.)
5	530024371	1	Air Filter
6		2	Screw - #10 - 24 x 5/8" Sems - Fan Housing - Bottom See Service Reference 5
7	530024436	1	Bumper - Fuel Tank Housing
8	530024656	1	Handle & Fuel Tank Housing
9	530015247	1	Screw - #8 - 16 x 3/4" - Pan Hd. - Handle Cover
10	530024661	1	Handle Cover
11	530026679	1	Button - Kill Switch
12	530015412	1	Washer - Kill Switch
13	530015407	1	Screw - #8 - 16 x 3/8" - Pan Hd. - Kill Switch
14	530024365	1	Trigger - Throttle
15		1	Starter Recoil Spring - See Service Reference 2.
16	530026035	1	Air Baffle
17		1	Starter Pulley (Inc.21) See Service Reference 2.
18		2	Screw - #10 x 1/4" - Fil. Hd. - Baffle
19		1	Screw - #10 - 24 x 1-3/16" - Fil. Hd.
20	530026122	1	Spacer - Air Baffle
21	530015123	1	Washer - Starter Pulley
22		1	Screw - #10 - 14 x 3/4" - Hex Washer Hd. Starter Pulley See Service Reference 5
23	530626605	1	Nut - Flywheel - #5/16 x 24"
24	530042059	2	Spring - Starter Dog
25	530015127	1	Washer #10 -14 - Flywheel
26	530039114	1	Flywheel Assembly (Inc.24)
27	530024461	1	Trigger Spring
28	530021036	1	Insulation - Switch Spring
29	530024407	1	Spring - Kill Switch
30	530015367	5	Screw #10 - 14 x 3/4" - Pan Hd. - Fan Housing to Handle & Fuel Tank
31	502039103	1	High Tension Lead Assembly (Inc.37,38,39)
32	530024435	1	Grommet - Plug Wire
33	530015128	2	Screw - #8 - 32 x 3/4" - Fil. Hd. - Ignition Module
34	530024158	1	Lead Wire - Switch
35	530069181	1	Kit - Ignition Module
36	530024303	1	Knob - Choke
37	530039082	1	High Tension Lead Wire
38	530003934	1	Boot - Spark Plug
39	530003933	1	Connector - Spark Plug Lead
40	530030077	1	Spark Plug
41	530093694	1	Coupling - Hex Drive
42	530011778	1	Shroud
43	530015376	2	Screw - #10 - 24 x 1-1/3" - Fil. Hd. - Shroud (Top)
44	530625509	1	Bolt - Pinch Clamp
45	530015168	2	Screw - #10 - 24 x 5/8" - Fil Hd. - Shroud (Bottom)
A	530026442	1	Decal - Starting Instructions
B	530025334	1	Decal - Shroud (Right)
C	530025335	1	Decal - Shroud (Left)

XR-30 Gas Trimmer Page 8 of 8
STARTER & SHROUD