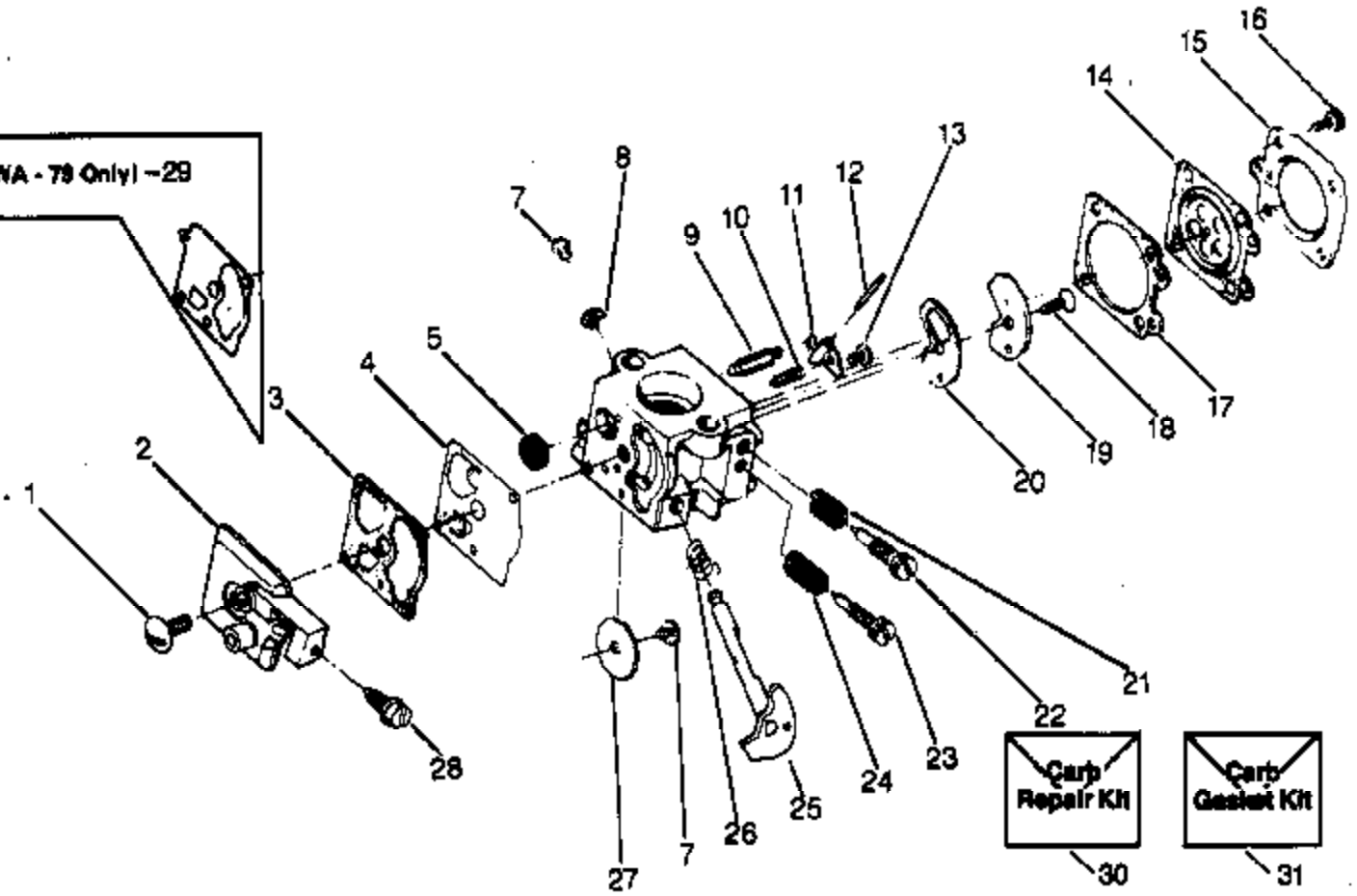


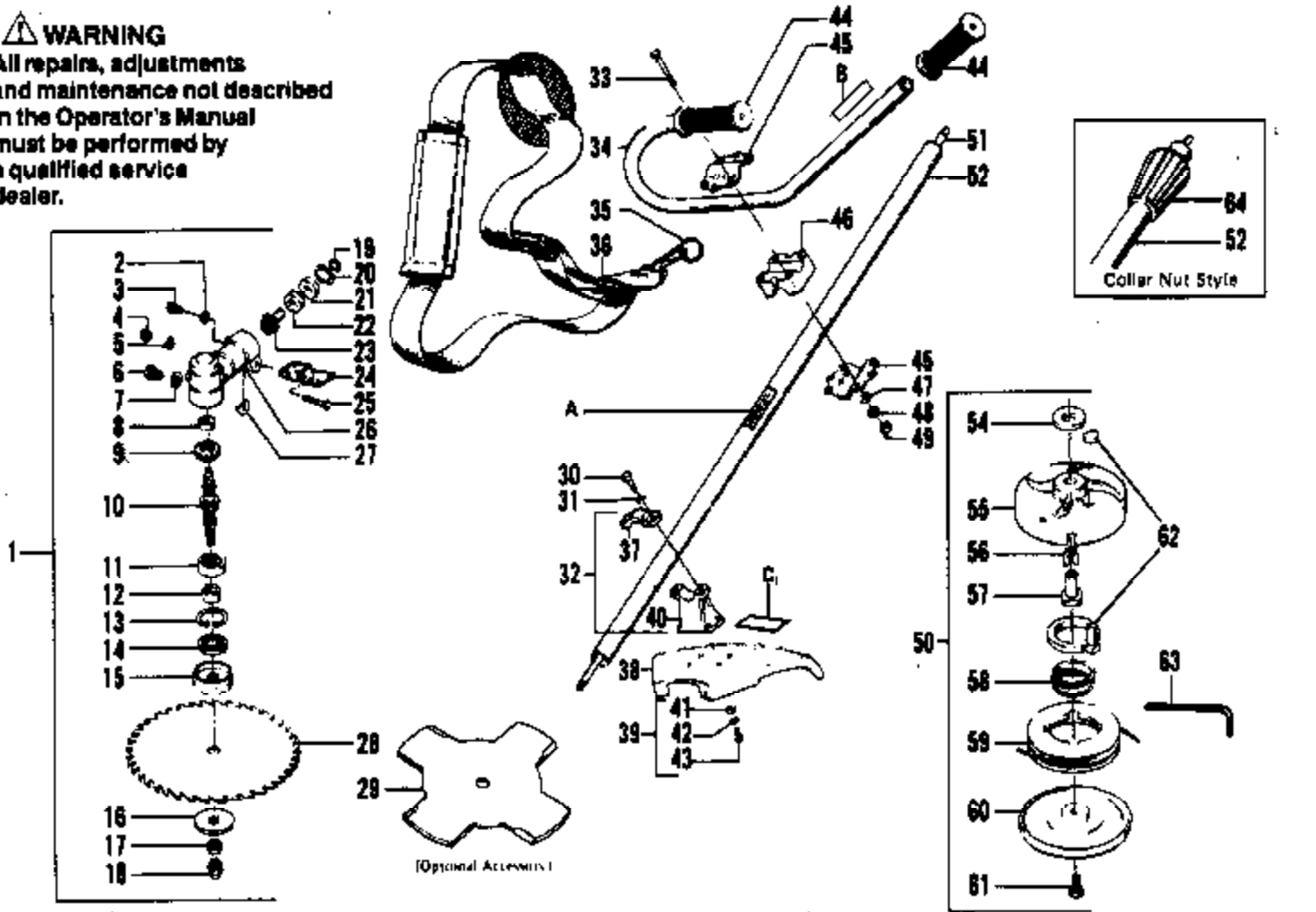
(WA - 79 Only) -29



Ref #	Part Number	Qty	Description
1	530035017	1	Screw - Pump Cover
2		1	Pump Cover Ass y. (Inc.28)
2	530035191		WA-149 (#35183)
2	530035154		WA-79
3		1	Gasket - Pump
3	530035164		WA-149 (#35183)
3	530035009		WA-79
4		1	Diaphragm - Pump
4	530035166		WA-149 (#35183)
4	530035152		WA-79
5	530035178	1	Screen-Inlet Included in Carburetor Kwik Repair Kit.
7	530035015	2	Screw - Throttle Shaft Included in Carburetor Kwik Repair Kit.
			XR-100 Gas Trim Page 2 of 11
			CARBURETOR WA-149 & V
8	530035007	1	Clip - Throttle Shaft
9	530035106	1	Valve - Inlet Needle Included in Carburetor Kwik Repair Kit.
10	530035139	1	Spring - Metering Lever Included in Carburetor Kwik Repair Kit.
11	530035031	1	Lever - Metering Included in Carburetor Kwik Repair Kit.
12	530035028	1	Pin - Metering Lever Included in Carburetor Kwik Repair Kit.
13	530035016	1	Screw - Metering Lever Pin
14	530035014	1	Diaphragm Assembly - Metering
15	530035149	1	Cover - Metering Diaphragm
16	530035153	4	Screw Assembly - Metering Cover & Throttle Shaft Clip
17	530035151	1	Gasket - Metering Diaphragm
18	530035137	1	Screw - Circuit Plate Included in Carburetor Kwik Repair Kit.
19	530035042	1	Plate - Circuit
20	530035147	1	Gasket - Circuit Plate
21	530035036	1	Spring - Hi Speed Needle
22	530035142	1	Needle - Hi Speed
23	530035141	1	Needle - Idle
24	530035023	1	Spring - Idle Needle
25	530035132	1	Shaft Assembly - Throttle
26	530035138	1	Spring - Throttle Return
27	530035133	1	Valve - Throttle
28	530035156	1	Screw - Idle Adjustment
29	530035135	1	Diaphragm - Pump (WA-79 only)
30		1	Kit - Carb. Kwik Repair
30	530035144		WA-79
30	530035185		WA-149 (#35183)
		1	Kit - Carb. Gasket/Diaphragm
30	530035145		WA-79 Included in Carburetor Kwik Repair Kit.
30	530035186		WA-149 (#35183) Included in Carburetor Kwik Repair Kit.

⚠ WARNING

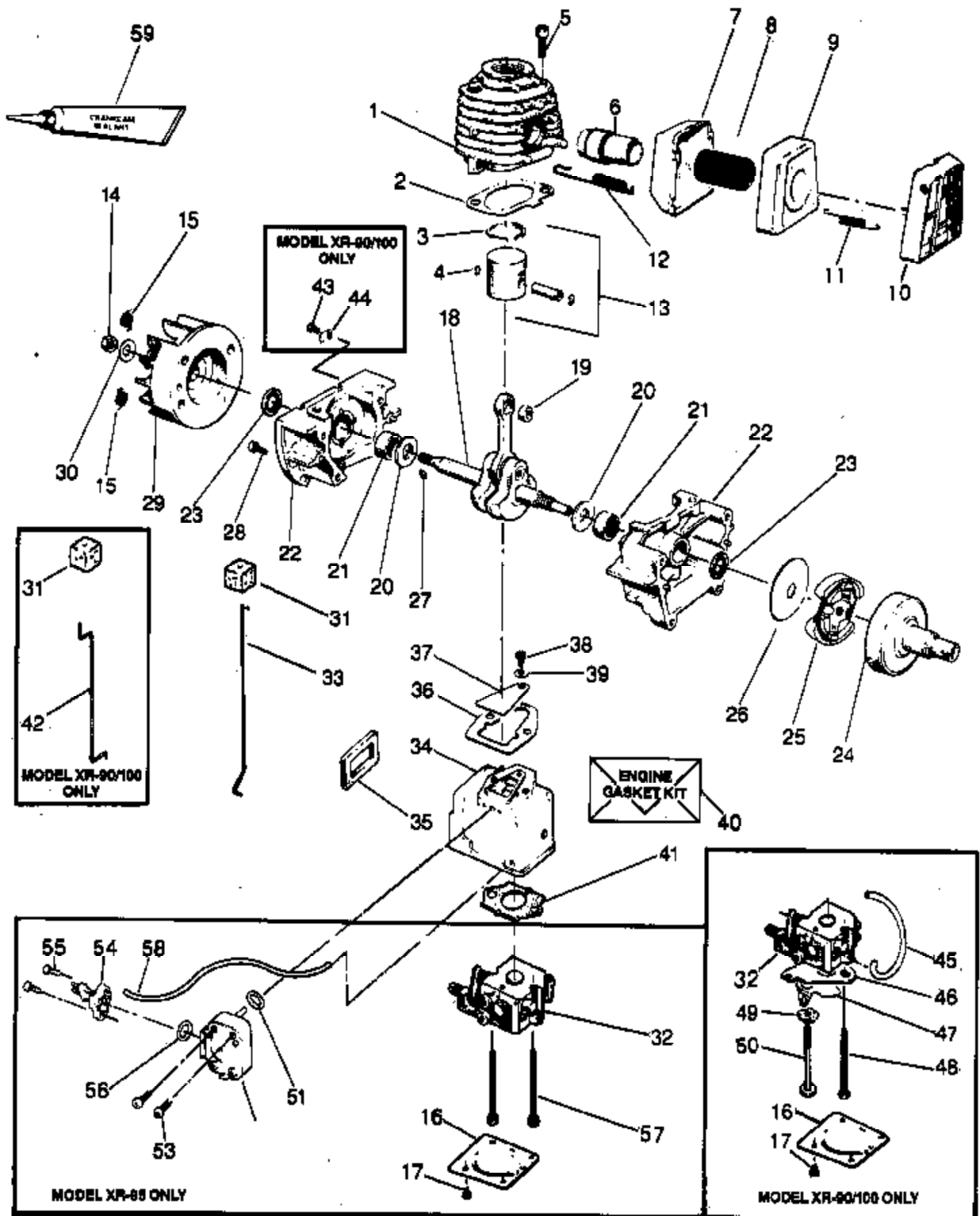
All repairs, adjustments and maintenance not described in the Operator's Manual must be performed by a qualified service dealer.



Ref #	Part Number	Qty	Description
1	530093744	1	Gear Box Ass'y w/fasteners (Inc. 2-27)
2	530091578	1	Lockwasher - Housing Bolt
3	530091579	1	Bolt - 6 x 12mm
4	530093703	1	Nut - 6mm - Housing (Gear Box)
5	530091578	1	Lockwasher - 6mm - Housing (Gear Box)
6	530091581	1	Oil Plug
7	530091582	1	Washer
8	530091586	1	Bearing - Gear Box
9	530091587	1	Gear - Bevel
10	530091588	1	Shaft - Splined Drive
11	530091598	1	Ball Bearing
12	530091591	1	Collar - Shaft
13	530091592	1	Snap Ring
14	530091589	1	Oil Seal
15	530092143	1	Blade Adaptor - Upper
16	530091594	1	Blade Adaptor - Lower
17	530091595	1	Locknut
18	530091596	1	Nut
19	530091573	1	Snap Ring - Gear Housing
20	530091574	1	Snap Ring - Gear Housing Bearing
21	530091575	1	Bearing - Sealed Pinion Gear
22	530092329	1	Bearing - Pinion Gear
23	530091576	1	Pinion Gear
24	530093706	1	Bracket-Shield to Gear Box,See Service Ref. 1
25	530093704	1	Bolt 6 x 42mm - Housing (Gear Box)
26	530091585	1	Housing - Gear Box
27	530091584	1	Fiber - Filler Washer
28	530092155	1	10" Brush Blade
29	530092154	1	8" Weed Blade (Optional)
30	530091616	2	Bolt - 5 x 25mm
31	530091615	2	Washer - 5mm
32	530091569	1	Shield Mounting Bracket Ass'y (Inc. 37 & 40)
33	530015405	4	Bolt - #1/4 - 20 x 1 - 7/8" - Handlebar
34	530010723	1	Handlebar
35	530092231	1	Key Ring - Shoulder Strap
36	530094408	1	Shoulder Strap
37	530091613	1	Shield Mounting Bracket - Top
38	530093743	1	Shield w/fasteners
39	530091572	1	Shield Mounting Kit (Inc.41,42,43 - 4 each)
40	530091614	1	Shield Mounting Bracket - Bottom
41	530091622	4	Washer - 4mm - Flat
42	530091623	4	Lockwasher - 4mm
43	530093705	4	Screw - 4mm x 16mm
44	530092086	2	Grip - Handlebar
45	530092079	2	Handlebar Clamp
46	530092084	1	Handlebar Block
47	530001503	4	Washer - Handlebar
48	530001642	4	Lockwasher - Handlebar
49	530015197	4	Nut - #1/4 - 20
50	530093954	1	Cutting Head Assembly (Inc. 54-63)
51	530093087	1	Drive Shaft
52		1	48" Drive Shaft Housing w/bearings
52	530092113		Collar Nut Style (Inc.64)
52	530010622		Pinch Clamp Style
54	530091664	1	Spacer
55	530091656	1	Hub

XR-100 Gas Trip Page 4 of 11
CUTTING HEAD(S) & DRIVE

Ref #	Part Number	Qty	Description
56	530091425	2	Line Saver
57	530091423	1	Drive Adaptor
58	530091657	1	Spring
59	952701526	1	Spool w/line
60	530091424	1	Cover - Cutting Head
61	530091662	1	Screw - #3/8 - 16 x 7/8" - Cover
62	530093602	1	Release Button Ass'y (Incl. Lock Ring)
63	530091663	1	Allen Wrench - Cutting Head
64	530011726	1	Collar Nut
A		1	Decal Handlebar Location
A	530024693		Model XR-90
A	530026226		Model XR-95,XR-100
B		1	XR-100 Gas Trip Pin 5 of 11 Decal Handlebar Warning
B	530024694		CUTTING HEAD(S) & DRIVE Model XR-90
B	530026229		Model XR-95
B	530026225		Model XR-100
C	530024886	1	Decal Blade Rotation Warning
		1	Operator's Manual
	530064696		Model XR-90
	530066089		Model XR-95
	530066530		Model XR-100
		1	Carton
	530060812		Model XR-100 Carton (Not a serviceable part)

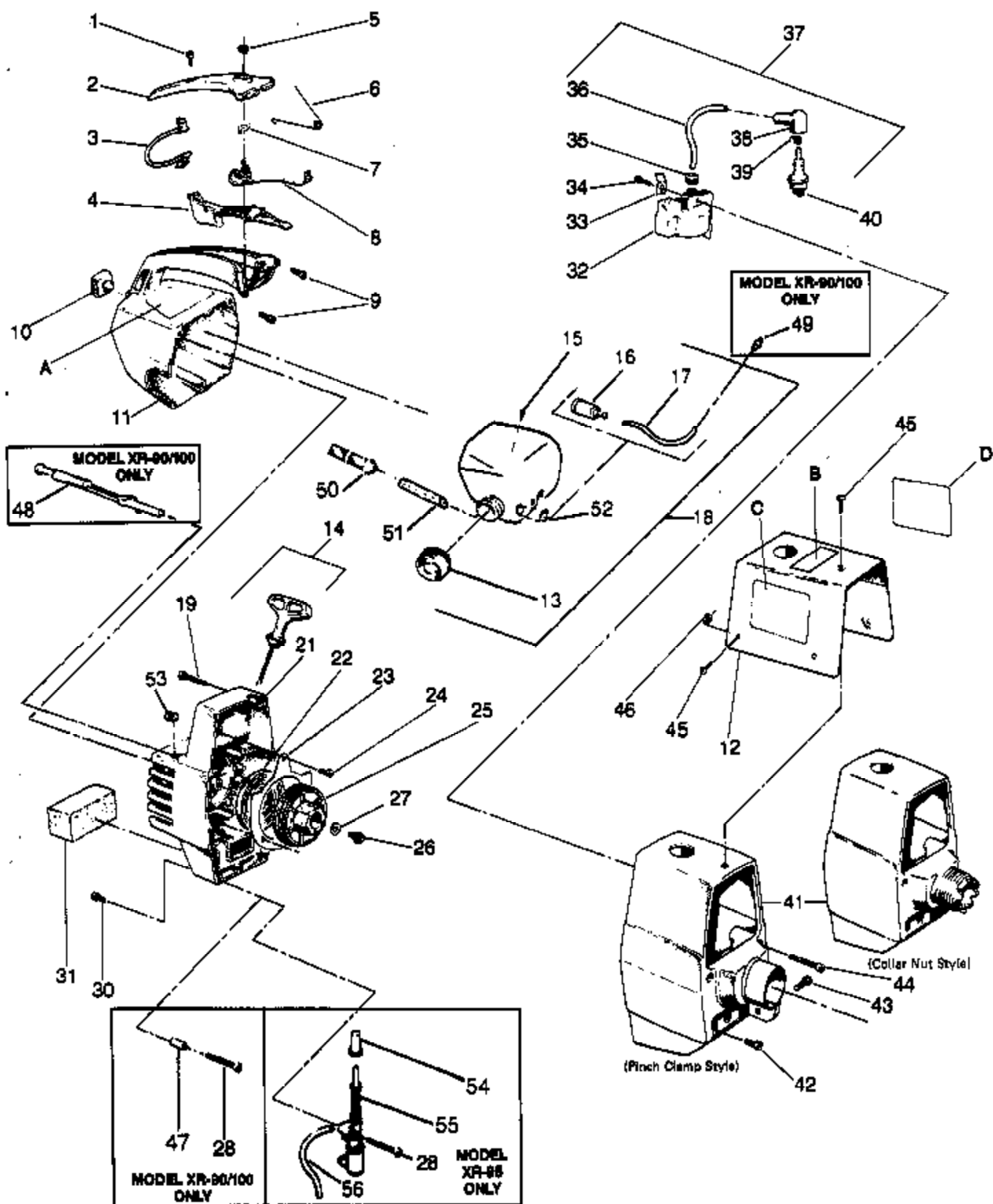


Ref #	Part Number	Qty	Description
1		1	Cylinder
1	530012071		Model XR-90,XR-95
1	530012070		Model XR-100
2	530019111	1	Gasket - Cylinder Included in Engine Gasket Kit.
3		1	Ring - Piston
3	530024929		Model XR-90,XR-95
3	530024302		Model XR-100
4	530015162	2	Retainer - Wrist Pin
5	530015239	2	Screw #1/4 - 20 x 3/4" - Hex Soc. Hd. - Cylinder
6	530024363	1	Diffuser - Muffler
7	530024362	1	Body - Muffler
8	530024364	1	Screen - Spark Arresting
9	530024361	1	Cover - Muffler
10	530024885	1	Guard - Muffler
11	530024932	2	Spring - Muffler Guard
12	530026621	2	Spring - Muffler Attachment
13		1	Piston Kit (Inc.3,4 & Pin)
13	530022238		Model XR-90,XR-95
13	530022198		Model XR-100
14	530626605	1	Nut - Flywheel
15	530042049	2	Spring - Starter Dog
16		1	Cover - Carburetor Case
16	530026029		Model XR-95,XR-100
16			Model XR-90 - See Service Ref. 5
17	530015235	4	Screw - #8 - 18 x 9/16" - Pan Hd.- Carburetor Case Cover
18	530022202	1	Ass'y. - Crankshaft & Rod
19	530032057	1	Bearing - Wrist Pin
20	530015351	2	Washer - Thrust - Crankcase
21	530032058	2	Bearing - Crankshaft
22	530010316	1	Crankcase Ass'y. (Inc.21, 23 & Qty. 4 of #28)
23	530019059	2	Seal-Crankcase Included in Engine Gasket Kit.
24	530010796	1	Drum & Coupling Assembly
25	530069195	1	Kit - Clutch Assembly (Incl. Clutch Washer) - See Service Ref. 7
25	530069195	1	Kit - Clutch Assembly (Incl. Clutch Washer) - Model XR-90, See Service Ref. 2
26	530069196	1	Kit - Clutch Washer
27	530015126	1	Key - Flywheel
28	530015168	4	Screw - #10 - 24 x 5/8" Fil. Hd. - Crankcase
29	530039114	1	Flywheel Assembly (Inc.15)
30	530015127	1	Washer - Flywheel
31	530023373		Boot - Throttle/Choke Wire Included in Engine Gasket Kit.
31		1	Model XR-95
31		2	Model XR-90,XR-100
32	530035183	1	Carburetor. See Service Ref. 3 - Model XR-90
33		1	Throttle Wire
33	530026177		Model XR-95
33	530024902		Model XR-90,XR-100
34		1	Carburetor Case
34	530026046		Model XR-95
34	530024409		Model XR-90,XR-100
35	530019105	1	Seal - Carburetor Case Included in Engine Gasket Kit.
36	530019108	1	Gasket - Carburetor Case to Crankcase
37	530024438	1	Reed Valve
38	530015241	1	Screw - #6 - 19 x 5/16" - Pan. Hd. - Reed Valve

XR-100 Gas Trip Page 7 of 11
POWER UNIT

Ref #	Part Number	Qty	Description
39	530023367	1	Washer - Reed Valve Screw
40	530069219	1	Kit - Engine Gasket
41	530019115	1	Gasket - Carburetor Included in Engine Gasket Kit.
42		1	Choke Wire
42	530026236		Model XR-100
42			Model XR-90 - See Service Ref. 5
43	530015004	1	Screw - #8 - 32 x 5/16" - Choke Wire Clamp
44	530024651	1	Clamp - Choke Wire
45	530021043	1	Fuel Line - Carburetor
46		1	Guide - Plate Choke Wire
46	530026237		Model XR-100
46			Model XR-90 - See Service Ref. 5
47	530024558	1	XR-100 Gas Tripper
48	530015379	1	Shutter Choke POWER UNIT
49	530015254	1	Screw - #10 - 24 x 1-7/8" - Carburetor
49	530015254	1	Washer - Wave
50	530015404	1	Screw - #10 - 24 x 2-1/8" - Carburetor Shoulder
51	530019131	1	O-Ring (Orifice) - See Service Ref.6
52	530010651	1	Accumulator Assembly (Inc.51 & 54)
53	530015565	2	Screw - #8 - 18 x 1" - Accumulator
54	530010677	1	Cap Assembly - Accumulator (Inc.56)
55	530015235	2	Screw - #8 - 16 x 9/16"
56	530019128	1	O-Ring (Accumulator Chamber)
57	530015566	2	Screw #10 - 24 x 2-1/4" - Fil. Hd. - Carburetor
58	530021055	1	Fuel Line - Carburetor
59	530030054	1	Sealant - Crankcase (Not supplied with unit)

XR-100 Gas Tripper
Shutter Choke
POWER UNIT



Ref #	Part Number	Qty	Description
1	530015247	1	Screw - #8 - 16 x 3/4" Pan Hd. - Handle Cover
2	530024665	1	Handle Cover
3	530039122	1	Wire - Lead - Grounding Switch
4	530024365	1	Throttle Trigger
5	530023575	1	Nut - Grounding Switch
6	530024461	1	Spring - Trigger
7	530024569	1	Washer - Grounding Switch
8	530069182	1	Kit - Grounding Switch (Inc.3,5,7,33)
9	530015367	5	Screw - #10 - 14 x 3/4" - Fan Hsg. to Handle in Fuel Tank
10	530024436	1	Bumper - Fuel Tank Hsg.
11	530024656	1	Handle & Fuel Tank Hsg.
12	530092094	1	Heat Shield
13	530010729	1	XR-100 Gas Trip (Incl. "O" Ring)
14		1	Fuel Cap Assy. (Incl. "O" Ring)
14		1	STARTER & SHROUD Assy. Rope & Starter Handle
14			Model XR-90 - See Service Ref. 4
14			Model XR-95/100 See Service Ref. 9
15	530026119	1	Duckbill Valve - Fuel Tank
16		1	Ass'y. - Fuel Pick-Up
16	530091878		Model XR-90/100
16	530026931		Model XR-95
17		1	Fuel Line
17	530021054		Model XR-95
17	530021042		Model XR-90/100
18		1	Fuel Tank Assembly
18	530010776		Model XR-90,XR-100 (Inc.13,15,16,17)
18	530010773		Model XR-95 (Inc.13,15,16,17,41,42)
19		2	Screw - #10 - 24 x 1-1/2" Fil Hd. - Fan Hsg. Top - See Service Ref. 8
21	530069178	1	Kit - Fan Housing
22		1	Spring Starter Pulley
22	530042067		Model XR-95,XR-100
22			Model XR-90 - See Service Ref. 4.
23	530026035	1	Air Baffle
24		2	Screw - #10 - 24 x 3/8" Fil. Hd. - Air Baffle See Service Ref. 8
25		1	Starter Pulley
25	530026048		Models XR-95,XR-100
25			Model XR-90 - See Service Ref. 4.
26		1	Screw - #10 - 24 x 1/2" - Starter Pulley See Service Ref. 8
27	530015123	1	Washer - #10 - Starter Pulley Screw
28		1	Screw - #10 - 14 x 1-3/16" - See Service Ref. 8.
30		2	Screw - #10 - 24 x 5/8" Fil. Hd. - Fan Hsg. Bottom - See Service Ref. 8
30	530024371	1	Air Filter
32	530069181	1	Kit-Ignition Module
33	530025995	1	Electrical Tab
34	530015128	2	Screw - #8 - 32 x 3/4" Fil. Hd.- Ignition Module
35	530024435	1	Grommet - Plug Wire
36	530039082	1	High Tension Lead Wire
37	502039103	1	High Tension - Lead Ass'y. - (Inc.36,38,39)
38	530003934	1	Boot - Spark Plug
39	530003933	1	Connector - Spark Plug Lead
40	530030077	1	Spark Plug (CJ-14)
41		1	Shroud

Ref #	Part Number	Qty	Description
41	530011799		Pinch Clamp Style
41	530011742		Collar Nut Style
42	530015168	2	Screw - #10 - 24 x 5/8" Shroud Bottom
43	530093802		OBSOLETE
	506093802	1	ACTUATOR
44	530015376	2	Screw - #10 - 24 x 1-1/2" - Shroud Top
45	530015192	5	Screw - #10 - 24 x 3/8" Heat Shield
46	530015217	4	Lock Nut #10 - 24 - Heat Shield
47	530026122	1	Spacer - Air Baffle
48	530024303	1	Choke Knob
49	530025472	1	Fuel Line Fitting
50	530026109	1	Filter - Fuel (Inlet Line)
51	530021052	1	Line - Fuel Inlet
52	530026178	1	Clip Retainer - Inlet Line - Fuel Tank
53	530026118	1	Bearing - Nyliner
54	530026032	1	Injector Button
55	530010738	1	Pump Assembly (Inc.56)
56	530021053	1	Line - Pump to Accumulator
		1	Decal - Starting Instructions
A	530025175		Model XR-90
A	530026424		Model XR-100
B	530026511	1	Model XR-95
A	026444	1	Decal - Fuel Mix Warning - Model XR-95
C		1	Decal - Shroud (right)
C	530024587		Model XR-90
C	530026143		Model XR-95
C	530026801	1	Model XR-100
D		1	Decal - Shroud (left)
D	530024588		Model XR-90
D	530026144		Model XR-95
D	530026802		Model XR-100 (Not a serviceable part)

XR-100 Gas Tripper 1 of 1

STARTER & SHROUD