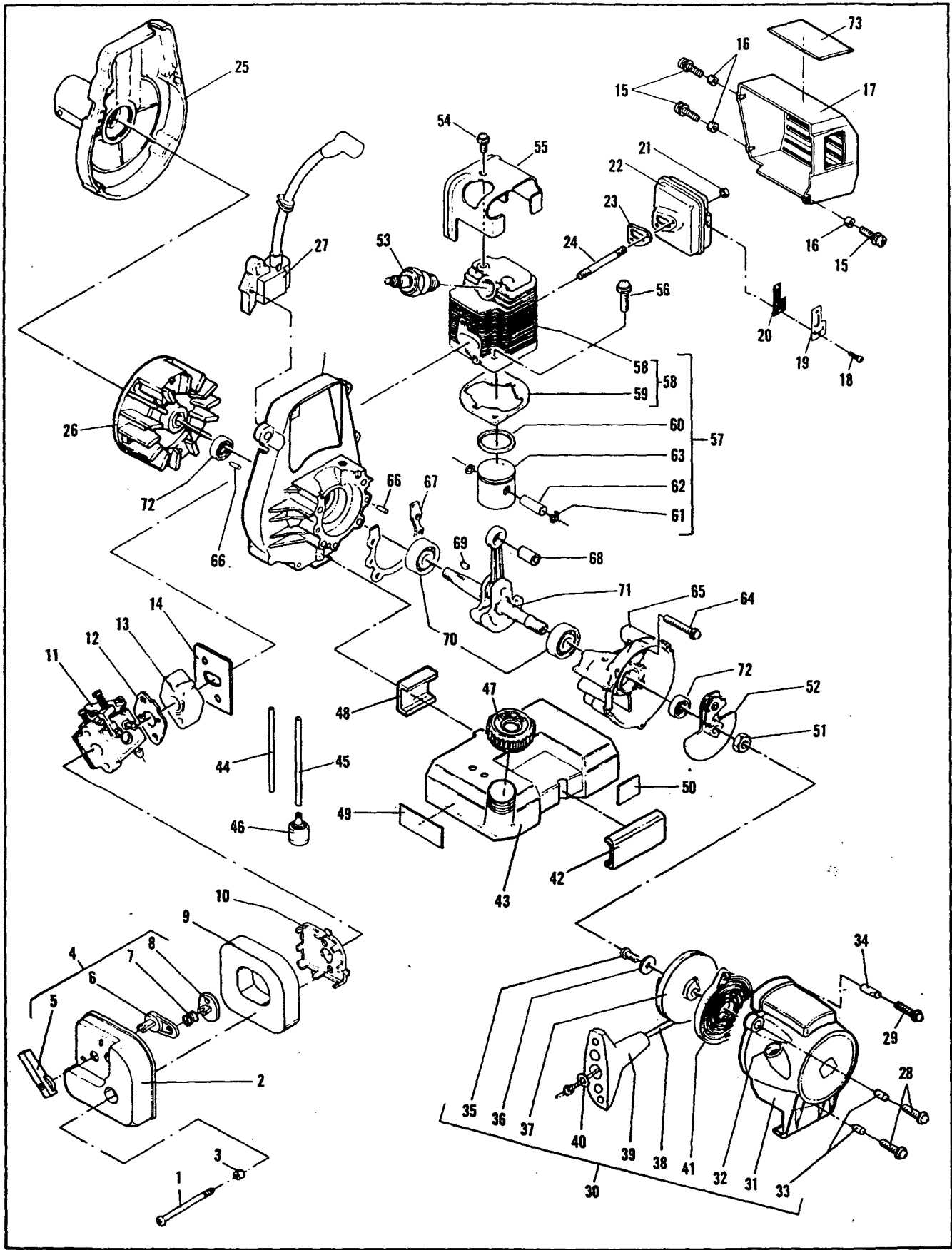


**Figure 1 ENGINE ASSEMBLY**



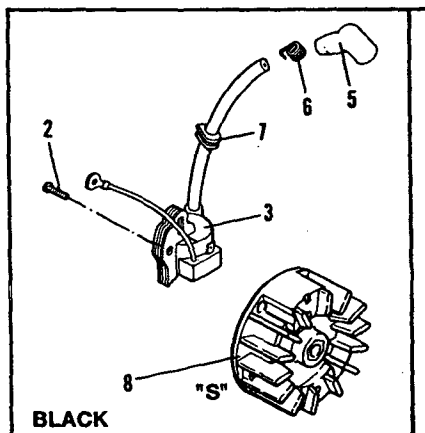
**FIGURE 1 ENGINE ASSEMBLY**

ITEM NO.	STK. CODE	PART NUMBER	DESCRIPTION	UNITS
1	B	219078	Screw-Choke Cover (18-23 in. lb. torque)	2
2	A	223196	Cover Asy-Choke	1
3	A	219023	. Insert-A/C Cover	2
4	A	223520	. Kit-Choke Knob	1
5	---	---	.. Lever-Choke	1
6	---	---	.. Lever-Shutter	1
7	A	219016	.. Spring-Shutter	1
8	---	---	.. Shutter-Choke	1
9	C	219145	Filter-Air (Foam)	1
10	B	222758	Box-Air	1
11		FIGURE 5	Carburetor-Walbro	1
		FIGURE 6	Carburetor-Zama	1
12	C	218933	Gasket-Spacer	1
13	B	219070	Insulator-Carb/C' Case	1
14	B	216575	Gasket-Shield/Insulator	1
15	C	219508	Screw-M4x17 (13-15 in. lb. Torque)	2
16	C	219079	Spacer-Muffler Shield	2
17	B	218962	Shield-Muffler (Plastic)	1
18	B	219194	Screw-5-20x.438 (12-16 in. lb. Torque)	2
19	B	219150	Cover-Screen	1
20	B	219149	Screen-Spark Arrester	1
21	C	222247	Nut-Stud (41-50 in. lb. Torque)	2
22	A	219152	Muffler Asy	1
23	B	215515	Gasket-Muffler	1
24	B	222480	Stud-Muffler	2
25		FIGURE 3	Housing-Fan	1
26	B	FIGURE 2	Flywheel	1
27	C	FIGURE 2	Ignition Asy	1
28	B	217669	Screw-M4x25 (12-16 in. lb. torque)	1
29	C	216022	Screw-M4x21.40 (13-15 in. lb. Torque)	2
30	B	217388	Starter Asy	1
31	A	223326	. Housing-Starter Asy	1
32	C	218932	.. Guide-Rope	1
33	C	219585	.. Spacer-Housing Starter	2
34	C	219584	.. Spacer-Muffler Shield	1
35	B	215874	. Screw-M4x9.50	1
		222800 ①	Screw-M4x9.50 (18-21 in. lb. torque)	1

ITEM NO.	STK. CODE	PART NUMBER	DESCRIPTION	UNITS
36	B	216590	. Washer-M4 Flat	1
37	C	216092	. Drum/Rope Asy	1
38	B	216093	.. Rope-Starter	1
39	C	216792	. Handle-Starter	1
40	B	218941	. Washer-Nylon	1
41	C	217482	. Spring-Starter	1
42	C	217382	Cushion-Fuel Tank	1
43	B	222239	Tank/Hose Asy-Fuel	1
44	B	222238	. Hose-Fuel Return	1
45	C	217264	. Hose-Fuel	1
46	C	216985	. Pickup-Fuel	1
47	C	222347-01	Cap-Fuel	1
48	C	217390	Cushion-Fuel Tank	1
49	A	217383	Decal-40:1	1
50	A	222506	Decal-Storage	1
51	B	216583	Nut-Hex MB (149-176 in. lb. torque)	1
52	C	215525	Ratchet Asy (Hand Tighten Only)	1
53	C	62345	Plug-Spark 0J8J (105-130 in. lb. torque)	1
54	B	213178	Screw-M5x8.5 (15-25 in. lb. torque)	1
55	B	215540	Cover-Cylinder	1
56	B	217320	Screw-M6x18 (70-80 in. lb. torque)	2
57	A	223754	Kit-Cyl/Piston	1
58	A	223716	. Kit-Cyl (Unplated)/Gskt.	1
59	B	215542	. . Gasket-Cylinder	1
60	B	223455	. Ring-Piston	1
61	B	111026	. Ring-Snap	2
62	B	218275	. Pin-Wrist	1
63	A	223468	. Piston (Plated)	1
64	B	213179	Screw-M5x28.5 (35-40 in. lb. torque)	4
65	A	218185	Crankcase Asy	1
66	A	213191	Pin	4
67	B	215545	Gasket-Crankcase	1
68	B	110984	Bearing-1'edle	1
69	C	102164	Key-Flywheel	1
70	B	213282	Bearing-C' Shaft (Roller)	2
71	B	218106-01	Crankshaft Assembly	1
72	C	83859	Seal-Crankshaft	2
73	A	223215	Decal-Starting	1

① Used on 14-400028-04 as Original Equipment only.

**IGNITION/FLYWHEEL ASSEMBLIES** Figure 2

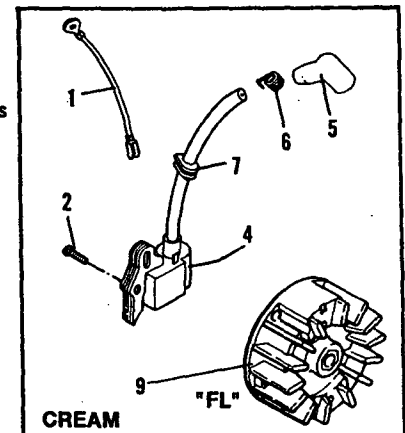


**BLACK**

\* Units have been manufactured with one of two Ignition/Flywheel combinations. Matched Ignition/Flywheel combinations are critical to proper ignition timing. Identify components before ordering service replacement parts:

- ① To Replace Black Color Ignition.....Order P/N 219386
- ① Flywheel for Black Color Ignition.....Order P/N 222430
- ② To Replace Cream Color Ignition.....Order P/N 219848
- ② Flywheel for Cream Color Ignition.....Order P/N 222308

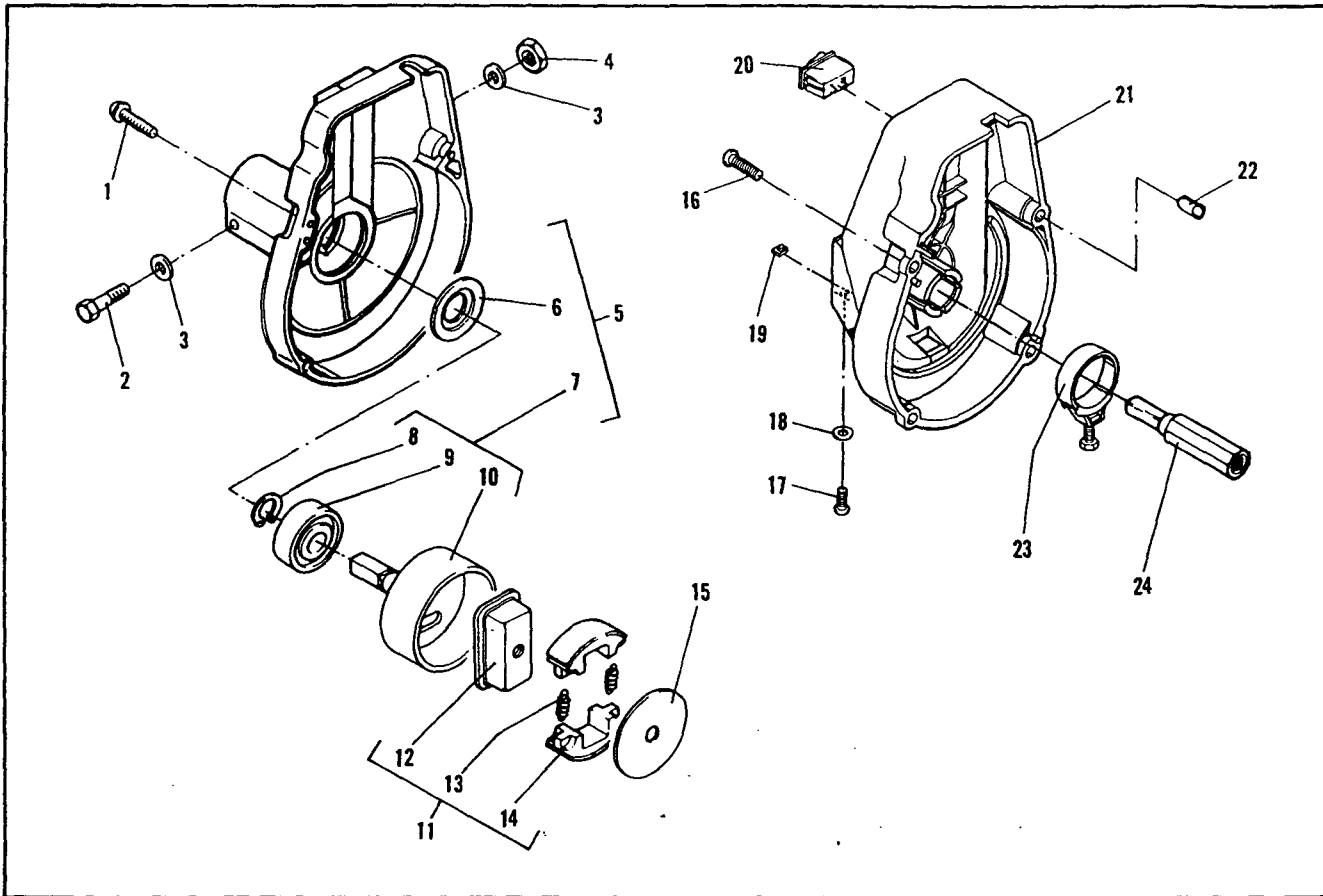
ITEM NO.	STK. CODE	PART NUMBER	DESCRIPTION	UNITS
1	B	219383	Wire-Switch	1
2	C	216022	Screw-M4x23.4 (12-16 in. lb. torque)	2
3	B	219386 ①	Ignition Assembly (Black)	1
4	C	219848 ②	Ignition Assembly (Cream)	1



**CREAM**

ITEM NO.	STK. CODE	PART NUMBER	DESCRIPTION	UNITS
5	B	95266	. Boot-Spark Plug	1
6	B	102556	. Connector	1
7	A	215533-01	. Grommet	1
8	A	222430 ①	Flywheel (Stamped "S")	1
9	B	222308 ②	Flywheel (Stamped "FL")	1

# Figure 3 FAN HOUSING ASSEMBLIES

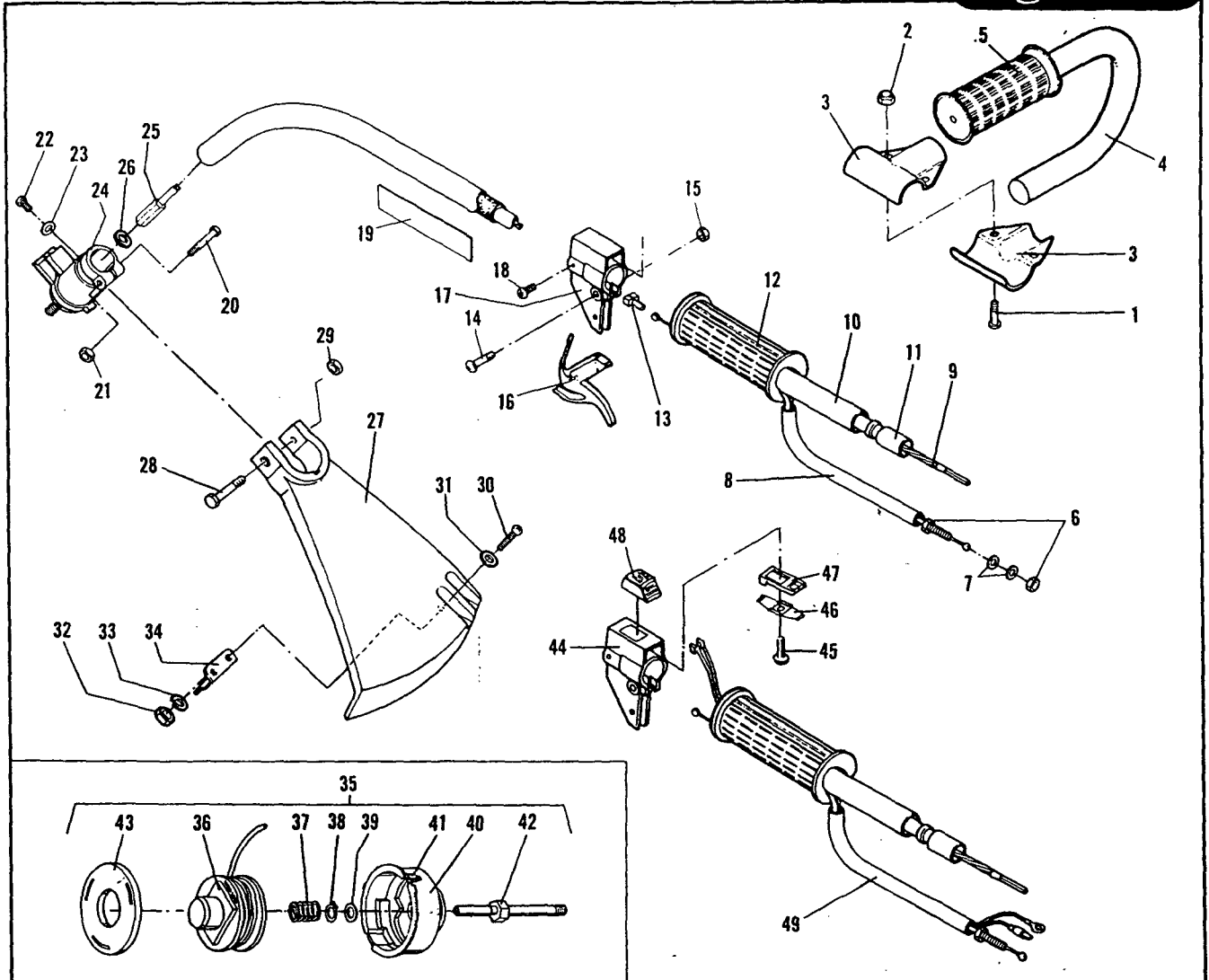


ITEM NO.	STK. CODE	PART NUMBER	DESCRIPTION	UNITS
1	C	213177 ①	Screw-M4x18.5 (12-16 in. lb. torque)	4
2	B	217158 ①	Screw-Hex M5x35 (35-43 in. lb. torque)	1
3	B	216591 ①	Washer-Flat M5	2
4	B	217159 ①	Nut-Hex M5	1
5	A	218057 ①	Housing Assembly-Fan	1
6	B	215534	. Plate-Thrust	1
7	B	218065	. Drum Assembly-Clutch	1
8	A	213186	.. Ring-Retaining	1
9	B	213187	.. Bearing-Ball	1
10	B	218963	.. Drum-Clutch	1
11	B	216060 ①	Clutch Assembly	1
12	A	215536	. Rotor	1
13	B	215537	. Spring	2
14	--	--	. Shoe	2

ITEM NO.	STK. CODE	PART NUMBER	DESCRIPTION	UNITS
15	B	215539	Plate-Side	1
16	C	219508	Screw-M4x17 (12-16 in. lb. torque)	4
17	B	215874	Screw-M4x9.5 Torx (10-13 in. lb. torque)	1
18	B	217672	Washer-M4 Flat	1
19	A	219558	Nut-Square	1
20	A	223241	Switch-Momentary	1
21	A	219595	Housing-Fan Assembly	1
22	A	219024	. Spacer-Fan Housing	4
23	A	219025	. Clamp-Drive Shaft Asy (25-30 in. lb. torque)	1
24	B	217477	Coupling	1

① Used on Model 14400028-09

# GENERAL ASSEMBLY Figure 4



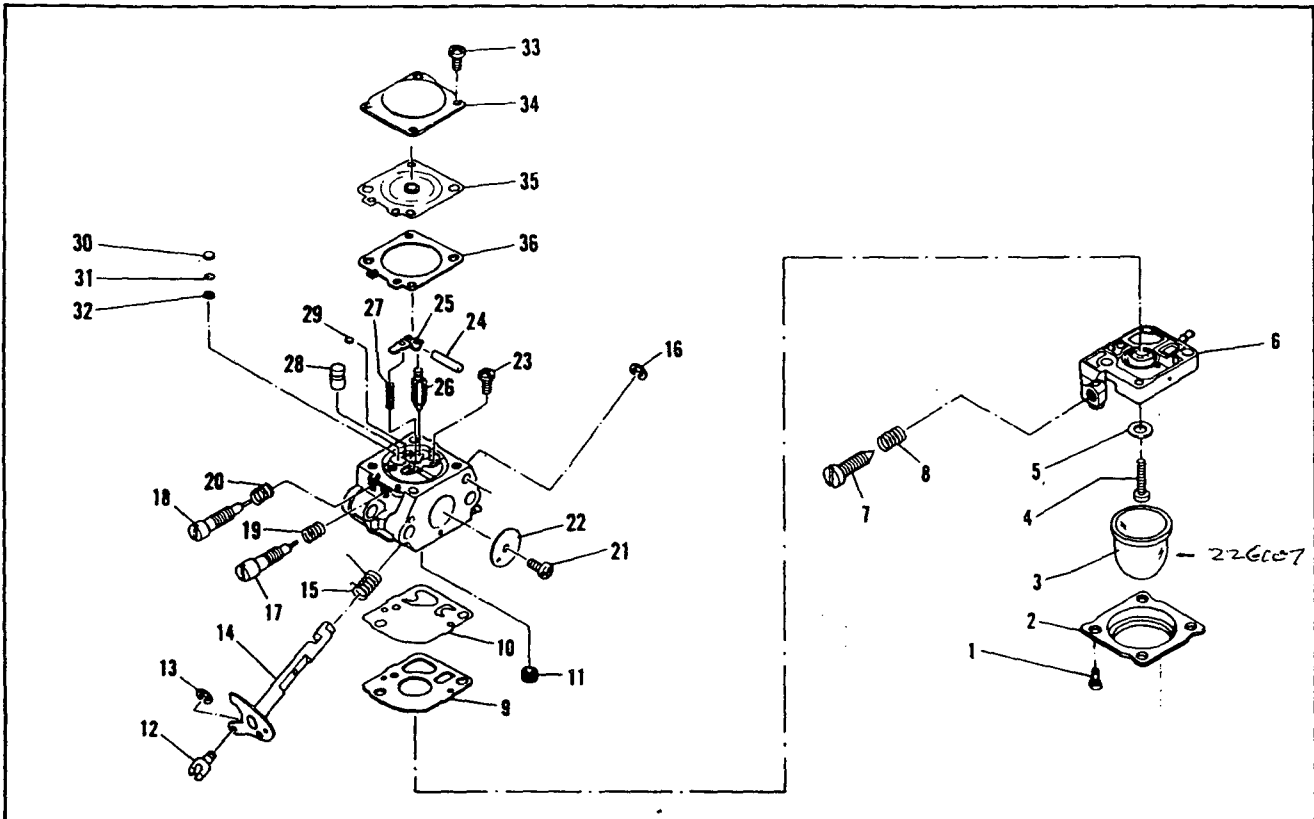
ITEM NO.	STK. CODE	PART NUMBER	DESCRIPTION	UNITS
1	B	217935	Screw-10-24x.50 (26-35 inch pounds torque)	2
2	B	218315	Nut- "J" Handle	2
3	A	215337	Clamp- "J" Handle	2
4	A	217856	"J" Handle/Grip Assy	1
5	A	94212	. Grip	1
6	C	217403	Nut-M6 (18-26 inch pounds torque)	2
7	C	216596	Washer-Throttle Cable	2
8	C	217360	Cable-Throttle	1
9	C	218285	Shaft-Flexible Drive 44"	1
10	A	222304	Housing Assy-Outer 44"	1
11	A	218282	. Sleeve For 44" Shaft	1
12	B	215322	Grip-Waffle Design	1
13	B	215323	Guide-Throttle Cable	1
14	B	216027	Screw-M5x28.5	1
15	B	217159	Nut-Hex M5	1
16	C	215318	Trigger-Throttle	1
17	A	222796	Housing-Trigger Throttle	1
18	A	223200	Screw-Self Tapping	1
19	A	218295	Decal-Warning	1
20	C	217937	Screw-10-24x1	1
21	B	218315	Nut	1
22	B	215874	Screw-M4x9.5	1
23	B	217672	Washer-M4 Flat	1
24	B	222468	Kit-Spindle Housing Assy	1
25	B	217477	Coupling (70 in. lb. torque)	1

ITEM NO.	STK. CODE	PART NUMBER	DESCRIPTION	UNITS
26	A	222402	Washer-Thrust	1
27	B	215314	Shield-Grass	1
28	B	216595	Screw-Hex M6x50	1
29	B	215871	Nut-Hex M6x1 (18-26 in. lb. torque)	1
30	B	217936	Screw-10-25x.75 TORX	2
31	B	110582	Washer-#10 Plain	2
32	B	218315	Nut-Hex	2
33	B	103174	Washer-Lock	2
34	C	223086	Housing-Knife	1
35	C	223734	String Head Assy (.095)	1
36	C	223736	. Spool/Line Assy (.095)	1
37	B	223740	. Spring	1
38	B	222403	. Ring-Retaining	1
39	B	222401	. Washer-Plain	1
40	B	223737	. Housing/Eyelet Assembly	1
41	B	223739	.. Eyelet	1
42	B	222400	. Spindle	1
43	A	223741	. Cover-Spool	1
44	A	222794	① Housing-Trigger Throttle	1
45	A	110706	② Screw-PN 8-18x.5	1
46	B	215320	③ Contact-Switch	1
47	B	215319	④ Base-Stop Switch	1
48	B	68846	⑤ Button, Stop Switch	1
49	B	215306	⑥ Harness, Throttle Cable/ Wire Assembly	1

① Used on Model 14400028-09

**Figure 5**

**CARBURETOR (Walbro)**



ITEM NO.	STK. CODE	PART NUMBER	DESCRIPTION	UNITS
	B	222209-02*	Carburetor-Primer WALBRO WT92	1
1	--	-- ①	Screw-Pump Cover	4
2	--	--	Cover-Fuel Pump/Primer	1
3	C	223077	Primer-Pump	1
4	--	--	Screw-Pump Cover	1
5	--	-- ①②	Gasket-Screw, Pump Cover	1
6	A	223281	Cover Asy-Fuel Pump	1
7	--	--	Screw-Idle Adj.	1
8	--	--	Spring-Idle Screw	1
9	--	-- ①②	Gasket-Fuel Pump	1
10	--	-- ①②	Diaphragm-Fuel Pump	1
11	--	-- ①	Screen-Fuel Inlet	1
12	--	--	Swivel	1
13	--	--	Clip	1
14	--	--	Shaft Asy-Throttle	1
15	--	-- ①	Spring-Throttle Return	1
16	--	--	Ring-Shaft Retainer	1
17	--	-- ①	Needle-Idle	1
18	--	-- ①	Needle-High Speed	1

ITEM NO.	STK. CODE	PART NUMBER	DESCRIPTION	UNITS
19	--	-- ①	Spring-Needle Idle	1
20	--	-- ①	Spring-Needle High Speed	1
21	--	-- ①	Screw-Valve	1
22	--	--	Valve-Throttle	1
23	--	-- ①	Screw-Pin Retaining	1
24	--	-- ②	Pin-Metering Lever	1
25	--	-- ①	Lever-Metering	1
26	--	-- ①	Valve-Inlet Needle	1
27	--	-- ①	Spring-Metering Lever	1
28	--	--	Seat Asy-Check Valve	1
29	--	-- ①	Plug-Welch	1
30	--	-- ①	Plug-Welch	1
31	--	-- ①	Ring-Screen Retainer	1
32	--	-- ①	Screen-Check Valve	1
33	--	-- ①	Screw-Metering Cover	4
34	--	--	Cover-Metering Diaph.	1
35	--	-- ①②	Diaphragm Asy-Metering	1
36	--	-- ①②	Gasket-Metering Diaph.	1

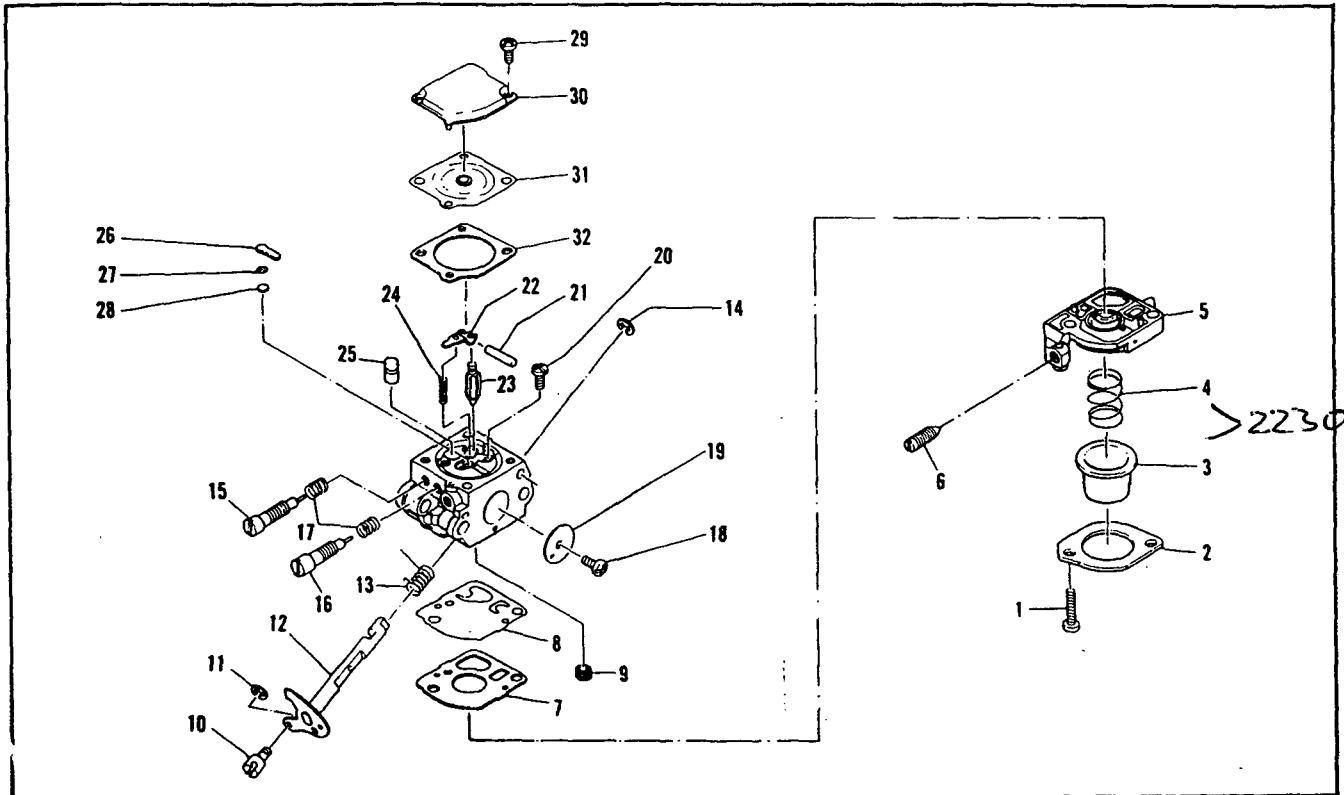
NOTE: Carburetor parts are shown for identification and disassembly sequence purposes only. Components are not available separately unless a part number is listed before the part description.

- ① Contained in Major Repair Kit, P/N 223568 (CODE B)
- ② Contained in Gasket/Diaphragm Kit, P/N 222756 (CODE B).

\* These units are manufactured with one of the two carburetors illustrated in Figures 5 and 6. Please identify the carburetor used on the unit before ordering a new carburetor or repair kit.

# CARBURETOR (Zama)

## Figure 6



ITEM NO.	STK. CODE	PART NUMBER	DESCRIPTION	UNITS
	B	222209-01*	Carburetor-Primer ZAMA M16	1
1	--	--	. Screw-Pump Cover	2
2	--	--	. Retainer-Primer	1
3	B	226107	. Kit - Primer Bulb	1
4	--	--	. Spring-Primer	1
5	A	226106	. Base Asy-Primer	1
6	--	--	. Screw-Idle Adjustment	1
7	--	--	. Gasket-Pump	1
8	--	--	. Diaphragm-Pump	1
9	--	--	. Strainer	1
10	--	--	. Post	1
11	--	--	. Ring- "E"	1
12	--	--	. Shaft Asy-Throttle	1
13	--	--	. Spring-Throttle Return	1
14	--	--	. Ring- "E"	1
15	--	--	. Screw-High Speed Adj.	1
16	--	--	. Screw-Low Speed Adj.	1

ITEM NO.	STK. CODE	PART NUMBER	DESCRIPTION	UNITS
17	--	--	① . Spring-Adj. Screws	2
18	--	--	. Screw-Throttle Valve	1
19	--	--	. Valve-Throttle	1
20	--	--	. Screw-Pin Retaining	1
21	--	--	① . Pin-Metering Lever	1
22	--	--	① . Lever-Metering	1
23	--	--	① . Valve-Inlet	1
24	--	--	① . Spring-Metering Lever	1
25	--	--	② . Nozzle Asy-Check Valve	1
26	--	--	① . Plug-Welch	1
27	--	--	. Retainer-Check Valve	1
28	--	--	. Valve-Check	1
29	--	--	. Screw-Metering Cover	1
30	--	--	. Cover-Metering Chamber	1
31	--	--	①② . Diaphragm Asy-Metering	1
32	--	--	①② . Gasket-Metering Cover	1

NOTE: Carburetor parts are shown for identification and disassembly sequence purposes only. Components are not available separately unless a part number is listed before the part description.

① Contained in Major Repair Kit, P/N 222404 (Code B).

② Contained in Gasket/Diaphragm Kit, P/N 222405 (Code B).

\* These units are manufactured with one of the two carburetors illustrated in Figures 5 and 6. Please identify the carburetor used on the unit before ordering a new carburetor or repair kit.

**Figure 7****SPECIFICATIONS**

<b>ENGINE TYPE</b> . . . . .	<b>Air-Cooled, Two-Cycle, Single Cylinder</b>
<b>BORE</b> . . . . .	<b>32.21mm</b>
<b>STROKE</b> . . . . .	<b>26mm</b>
<b>DISPLACEMENT</b> . . . . .	<b>21.2cc</b>
<b>CYLINDER</b> . . . . .	<b>Aluminum</b>
<b>SPARK PLUG</b> . . . . .	<b>0.63mm Champion DJ8J</b>
<b>GASOLINE</b> . . . . .	<b>Regular Grade Leaded or Unleaded</b>
<b>GASOLINE/OIL RATIO</b> . . . . .	<b>40:1 McCulloch Custom Lubricant</b>
. . . . .	<b>20:1 Using Any Other Two-Cycle Oil</b>
<b>FUEL TANK CAPACITY</b> . . . . .	<b>14.6 Fluid Ounces</b>
<b>RUNNING TIME</b> . . . . .	<b>35 to 45 minutes</b>
<b>IGNITION</b> . . . . .	<b>Electronic</b>
<b>LAMINATION to Flywheel Air Gap</b> . . . . .	<b>.25mm</b>
<b>HANDLE</b> . . . . .	<b>"J" Handle</b>
<b>STRING HEAD CUTTER</b> . . . . .	<b>Semi-Automatic</b>
<b>LINE</b> . . . . .	<b>Nylon .095" or .080"</b>
<b>CUTTING SWATH</b> . . . . .	<b>17"</b>
<b>CARBURETOR</b> . . . . .	<b>Diaphragm/Primer Type</b>

**Figure 8****SERVICE TOOLS**

<b>PART NUMBER</b>	<b>STK. CODE</b>	<b>DESCRIPTION</b>
215439	D	TOOL-Piston Driving
215441	D	TOOL-Clutch Puller
215443	D	PLATE-Pressure Test
215444	D	GASKET-Intake Plate
215445	D	GASKET-Exhaust
217355	D	WRENCH-8/10mm
216767	D	LOCK-Spindle
218175	D	WRENCH-9/16" Socket
222785	D	TORX DRIVE T-25 (cylinder)