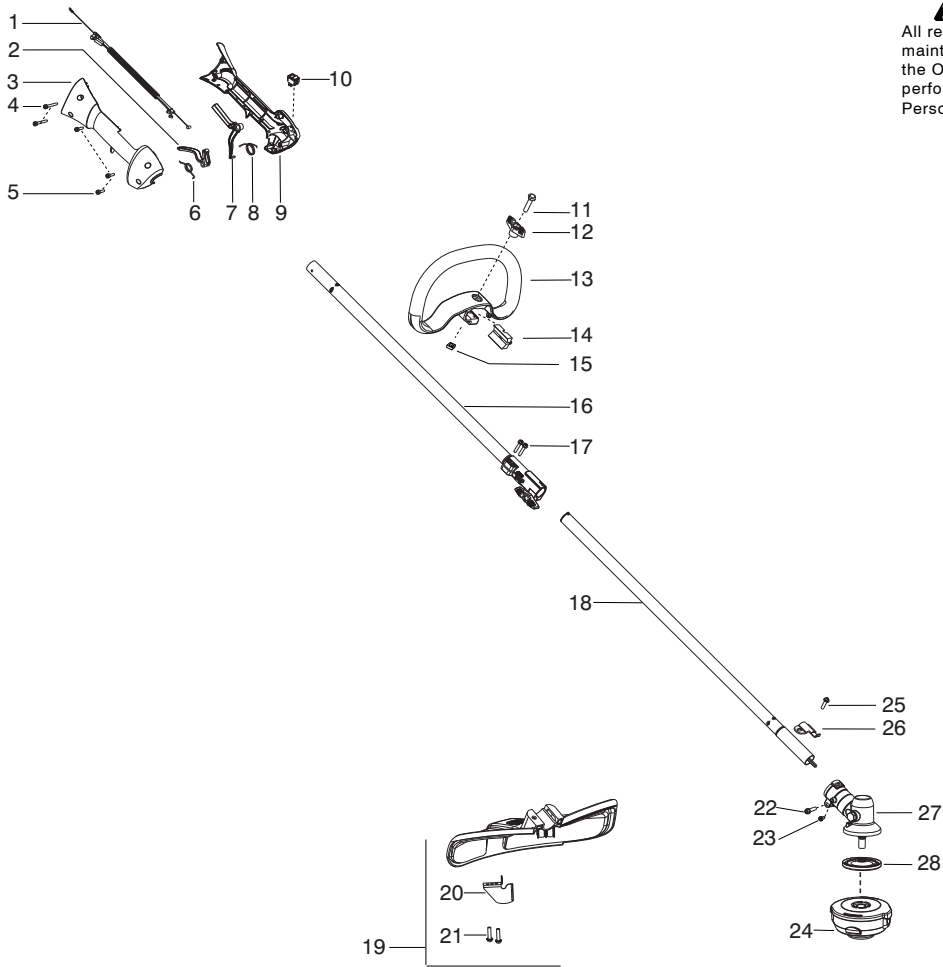


Parts List No. 545103447		Husqvarna ® PARTS LIST	MODEL 125LDX (US/CAN)
Date 9/15/09	Replaces 545103447 - 9/11/08		NOTE : Illustration may differ from actual model due to design changes.



⚠ WARNING
All repairs, adjustments and maintenance not described in the Operator's Manual must be performed by Qualified Service Personnel.

Ref.	Part No.	Description	Ref.	Part No.	Description
1.	545125301	Assy-Cable/Wire Harness	20.	530052286	Limiters-Line
2.	545066001	Trigger	21.	530015814	Screw
3.	545062001	Housing-Throttle (RH)	22.	530016014	Screw
4.	530016448	Screw	23.	545003902	Screw
5.	530016449	Screw	24.	5373383-02	Assy-T25 Cutting Head
6.	530016454	Spring-Trigger	25.	530015771	Screw
7.	530059804	Lockout-Throttle	26.	530057554	Bracket-Shield
8.	545045601	Spring-Lockout	27.	530096295	Assy-Gearbox
9.	545067001	Housing-Throttle (LH)	28.	537234901	Driver Disc
10.	545030601	Kit-Switch			
11.	★★★★★	Screw			
12.	★★★★★	Knob			
13.	★★★★★	Assy - Loop Handle			
14.	★★★★★	Spacer			
15.	★★★★★	Nut - Square M6			
16.	545006074	Kit-Driveshaft Upper (Incl. 17, & flex)			
17.	503200725	Screw			
18.	545006067	Kit-Lower Shaft (incl. flex,22,23,26,27)			
19.	545030901	Kit-Shield (Incl. 20,21,25)			
					Not Shown
				545146985	Manual
				545135301	Decal-Warning Shaft (upper)
				545096701	Decal-Warning Shaft (lower)
				530031159	Wrench-Hex (5/32")

✓ = New Part Number For This IPL

★ = Refer to the Service Reference Indicated for more information.(Located at the END of the IPL)

Parts List No. 545103447		Husqvarna ® PARTS LIST	MODEL 125LDX (US/CAN)
Date 9/15/09	Replaces 545103447 - 9/11/08		NOTE : Illustration may differ from actual model due to design changes.

***** **Service Reference** *****

Note : Due to product improvements, your unit may have a different carburetor.
Please refer to the serial number on your unit and order the parts below.

Serial Number - 2007-202N and lower, please use the following parts:
Page 2, Ref.# 65 - 545006060 Kit - Carburetor

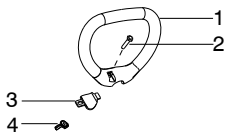
Serial Number - 2007-203N and higher, please use the following parts:
Page 2, Ref.# 65 - 545081850 Kit - Carburetor

***** **Service Reference** *****

Note : Due to product improvements, your unit may have a different assist handle.
Please refer to the serial number on your unit and order the parts below.

Serial Number - 2007-202N and lower, please use the following parts:

- Ref.# 1 - 545180809 Kit - Loop Handle (Includes Hardware)
- Ref.# 2 - 530015820 Bolt
- Ref.# 3 - 530059185 Handle Clamp
- Ref.# 4 - 530016152 Wingnut



Serial Number - 2007-203N and higher, please use the following parts:

- Page 1, Ref.# 11 - 725238051 Screw
- Page 1, Ref.# 12 - 503879001 Knob
- Page 1, Ref.# 13 - 545144303 Assy - Loop Handle
- Page 1, Ref.# 14 - 503940301 Spacer
- Page 1, Ref.# 15 - 502197101 Nut - Square M6

