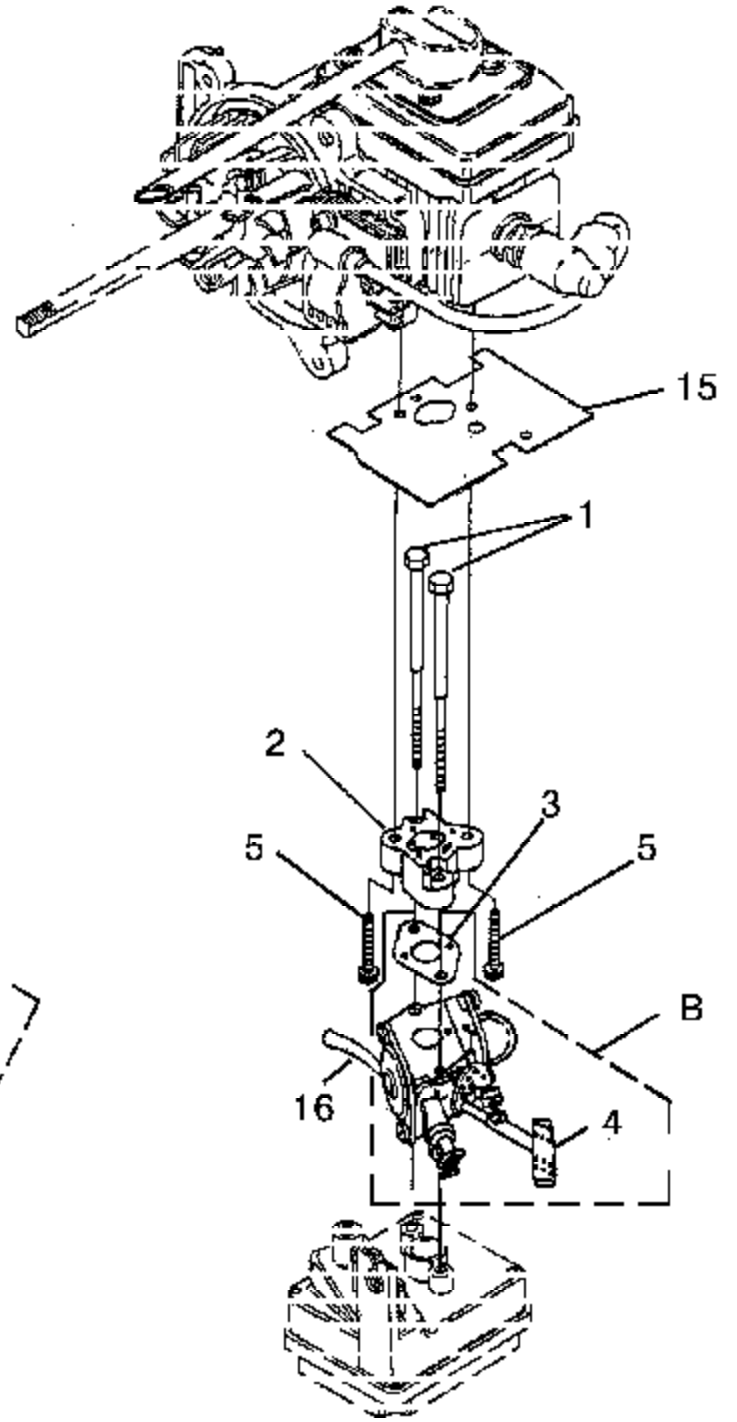
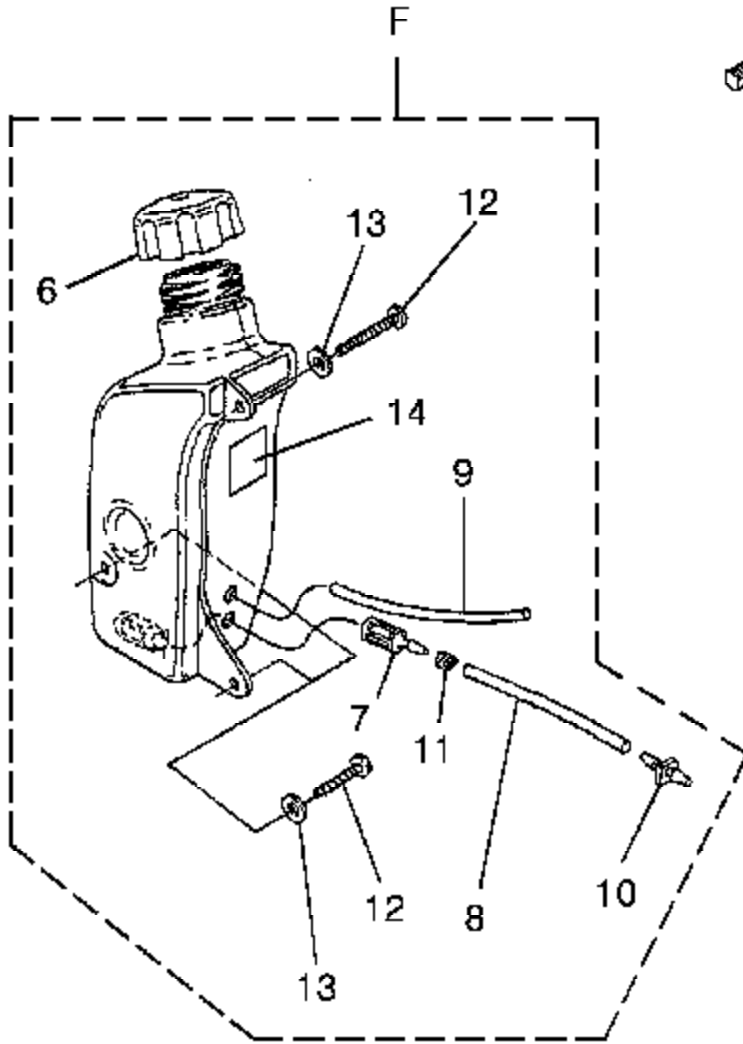
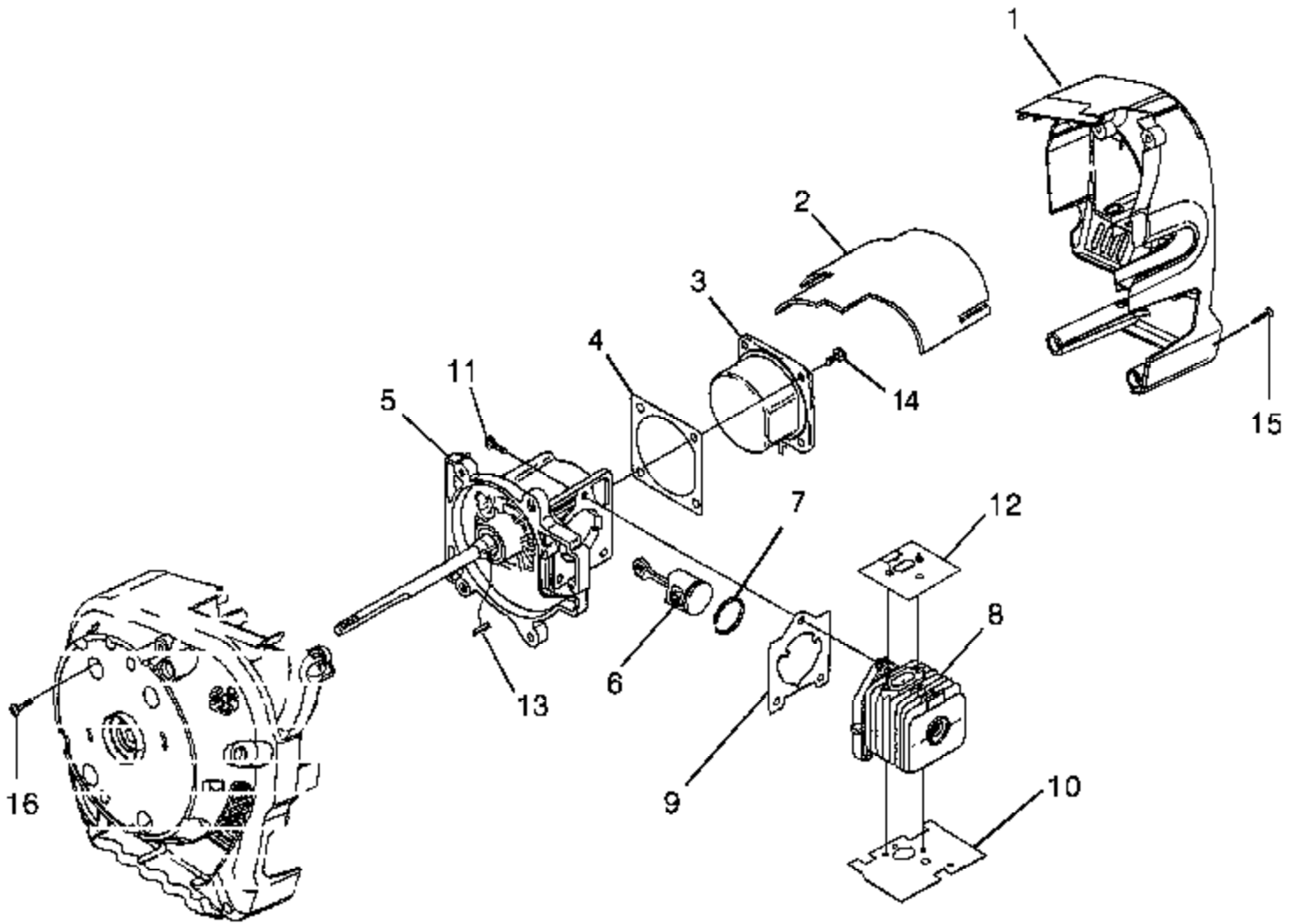


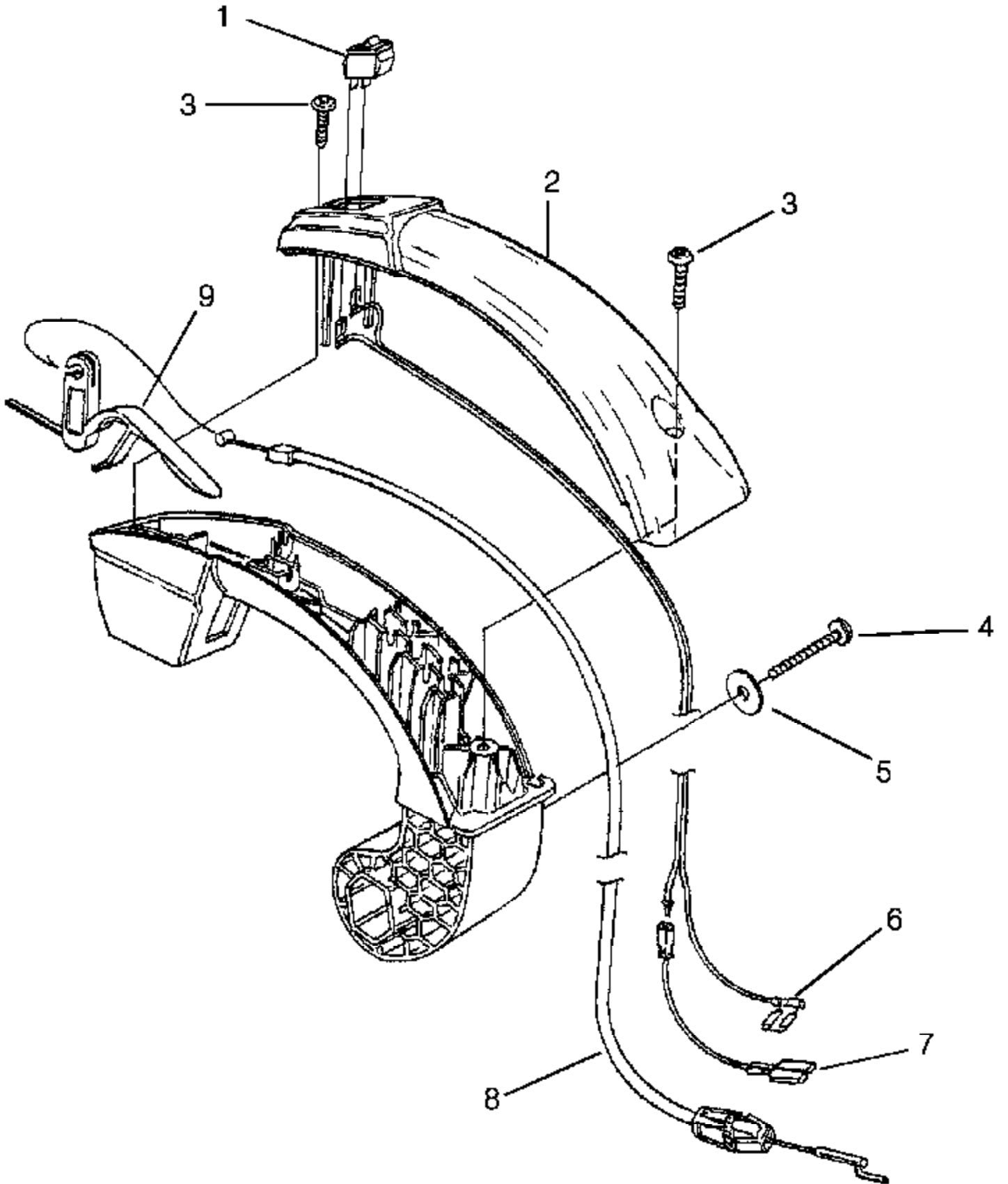
Ref #	Part Number	Qty	Description
1	A02976A		GAS CAN 1 1/4 Gallon
2	UP06839		EAR PLUGS
3	UP06835		SAFETY GLASSES-Clear
4	01231D		EXACT MIX (TM) Oil - 1 pint (50:1)
5	A06778		GOGGLES
6	UP07694		EAR PROTECTORS



Ref #	Part Number	Qty	Description
1	UP04307	2	Screw, Machine (10-24 x 2.8) Torque Specs 30-40 In/Lbs; 3.4-4.5 Nm; See "Muffler - Air Cleaner" Ref. No.10 for Torque Specs
2	UP03863	1	Heat Dam
B	UP00654	1	Carburetor Assembly
3	UP03916	1	Gasket, Carburetor Also included with Short Block and Cylinder assemblies.
4	UP04278	1	Lever, Choke (Zama)
5	UP04140	2	Screw, Sems (10-24 x 1") Also included with Short Block and Cylinder assemblies; Torque Specs 50-60 In/Lbs; 5.6-6.8 Nm
F	UP00495	1	Fuel Tank Assy.
6	UP04708	1	Fuel Cap
7	UP03871	1	Fuel Filter
8	UP04347	1	Tubing, Rubber (3")
9	UP04294	1	Tubing, Rubber (5")
10	UP04310	1	Fitting, Inlet (Small for 2.5mm ID fuel line)
	UP03831	1	Fitting, Inlet (Large for 3mm ID fuel line)
11	UP03913	1	Clamp, Wire
12	UP03900	3	Screw, Thread Forming (10-14 x 3/4) Torque Specs 30-40 In/Lbs; 3.0-4.0 Nm
13	UP03867	3	Washer
14	UP03907	1	Tape, Aluminum
15	UP04308	1	Gasket, Heat Dam Also included with Short Block and Cylinder assemblies.
16	UP04294	1	Tubing, Rubber (5")

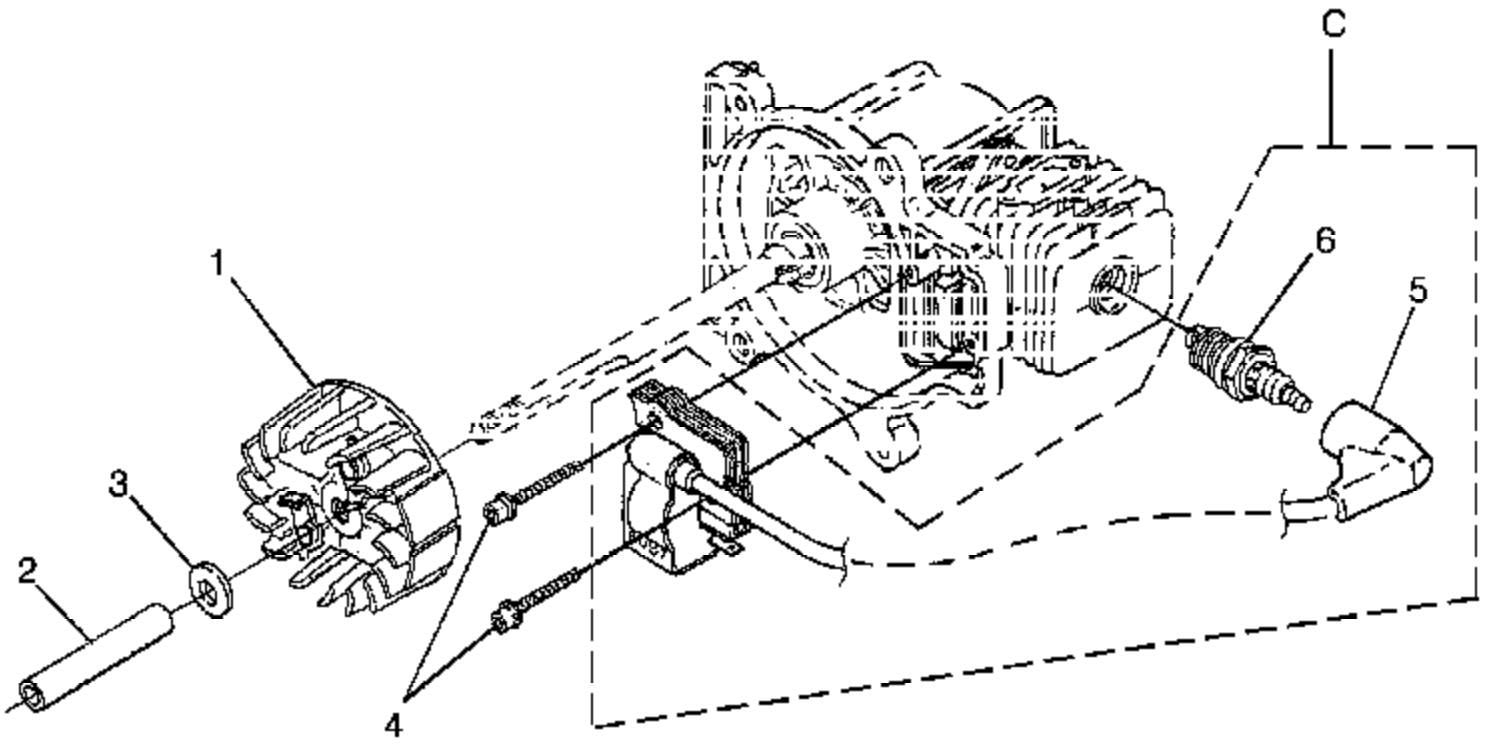


Ref #	Part Number	Qty	Description
1	UP04314	1	Shroud
2	UP04322	1	Heat Shield, Muffler
3	UP06543	1	Crankcase Cover
4	UP04335	1	Gasket, C/Case Also included with Short Block and Cylinder assemblies
5	UP00759	1	Short Block (Svc)(30cc)
6	UP03366	1	Piston & Rod (30cc)
7	UP03837	2	Piston Ring (30cc) Ring for single ring 30CC piston 04933
8	UP07146	2	Cylinder Kit (30cc)
9	UP03857	1	Gasket, Cylinder
10	UP04308	1	Gasket, Heat Dam
11	UP04345	3	Screw, Sems (12-24 x 3/4) Torque Specs 55-65 In/Lbs; 6.2-7.3 Nm; Red 262 Loctite Required
12	UP04350	1	Gasket, Muffler
13	UP03874	1	Key, Woodruff
14	UP04295	4	Screw, Sems (10-24 x .560) Torque Specs 35-45 In/Lbs; 4.0-5.1 Nm; Red 262 Loctite Required
5	UP00756	1	Short Block (Svc)(25cc)
6	UP00768	1	Piston & Rod (25cc)
7	PS01359	1	Piston Ring (25cc)
8	UP07145	1	Cylinder Kit (25cc)
9	UP03857	1	Gasket, Cylinder
10	UP04308	1	Gasket, Heat Dam
11	UP04345	3	Screw, Sems (12-24 x 3/4) Torque Specs 55-65 In/Lbs; 6.2-7.3 Nm; Red 262 Loctite Required
12	UP04350	1	Gasket, Muffler
13	UP03874	1	Key, Woodruff
14	UP04295	4	Screw, Sems (10-24 x .560) Torque Specs 35-45 In/Lbs; 4.0-5.1 Nm; Red 262 Loctite Required
15	UP03895	5	Screw, Thread Forming (10-14 x 7/8) Torque Specs 30-40 In/Lbs; 3.4-4.6 Nm
16	UP03406	4	Taptite, Truss (10-24 x 3/4) Torque Specs 55-60 In/Lbs; 6.2-6.8 Nm

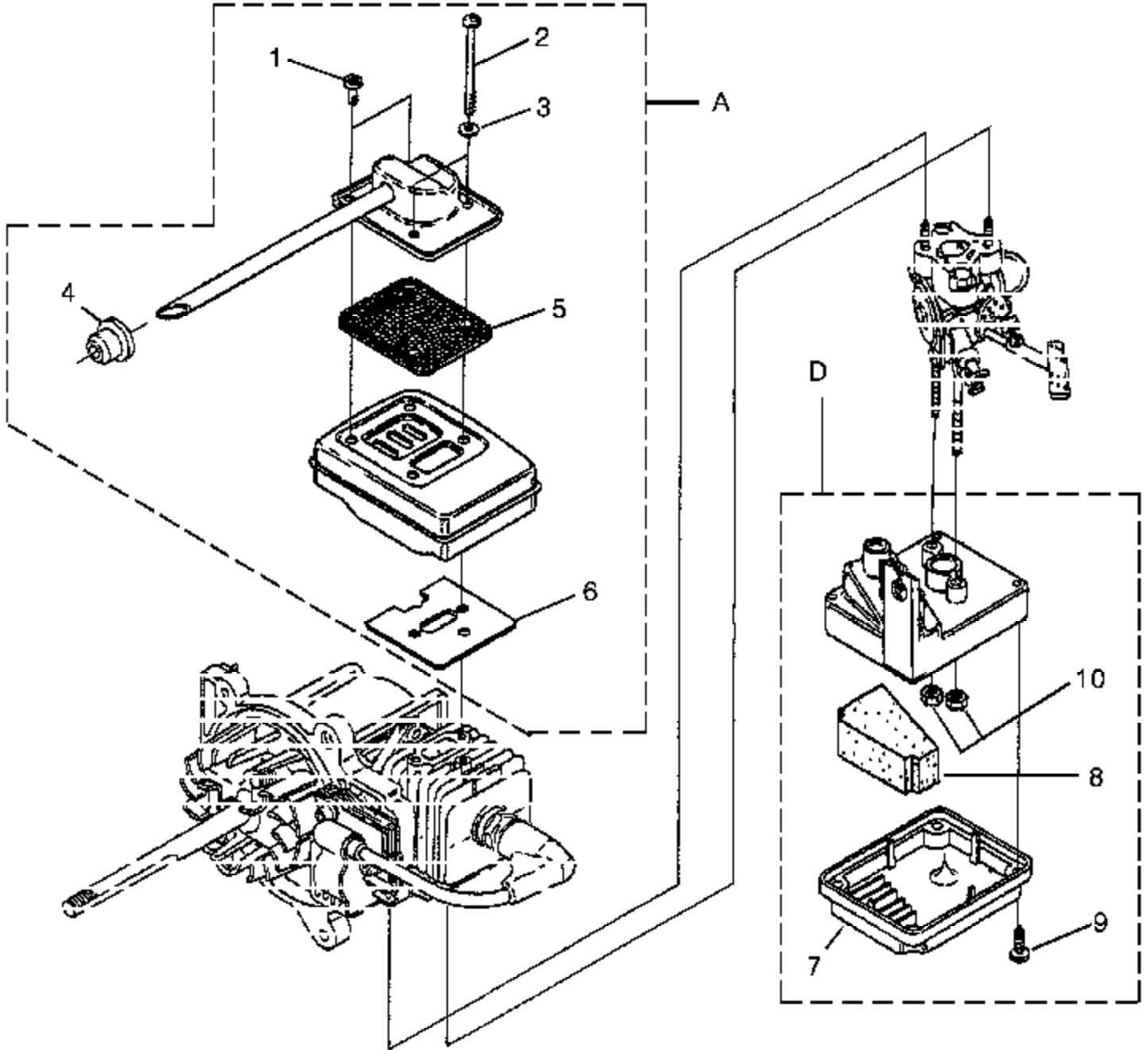


Ref #	Part Number	Qty	Description
	UP06900	1	Handle Assembly
1	UP04320	1	Switch, Rocker(Stop)
2	UP04325	1	Handle Cover
3	UP03898	2	Screw, Thread Forming (8-16 X 1/2) Torque Specs 10-25 In/Lbs; 1.1-2.8 Nm
4	UP03895	1	Screw, Thread Forming (10-14 X 7/8) Torque Specs 30-45 In/Lbs; 3.4-5.1 Nm
5	UP06901	1	Washer, Flat
6	UP04333	1	Kill Switch Lead
7	UP04327	1	Cable, Throttle
8	UP04326	1	Trigger
9			UNKNOWN

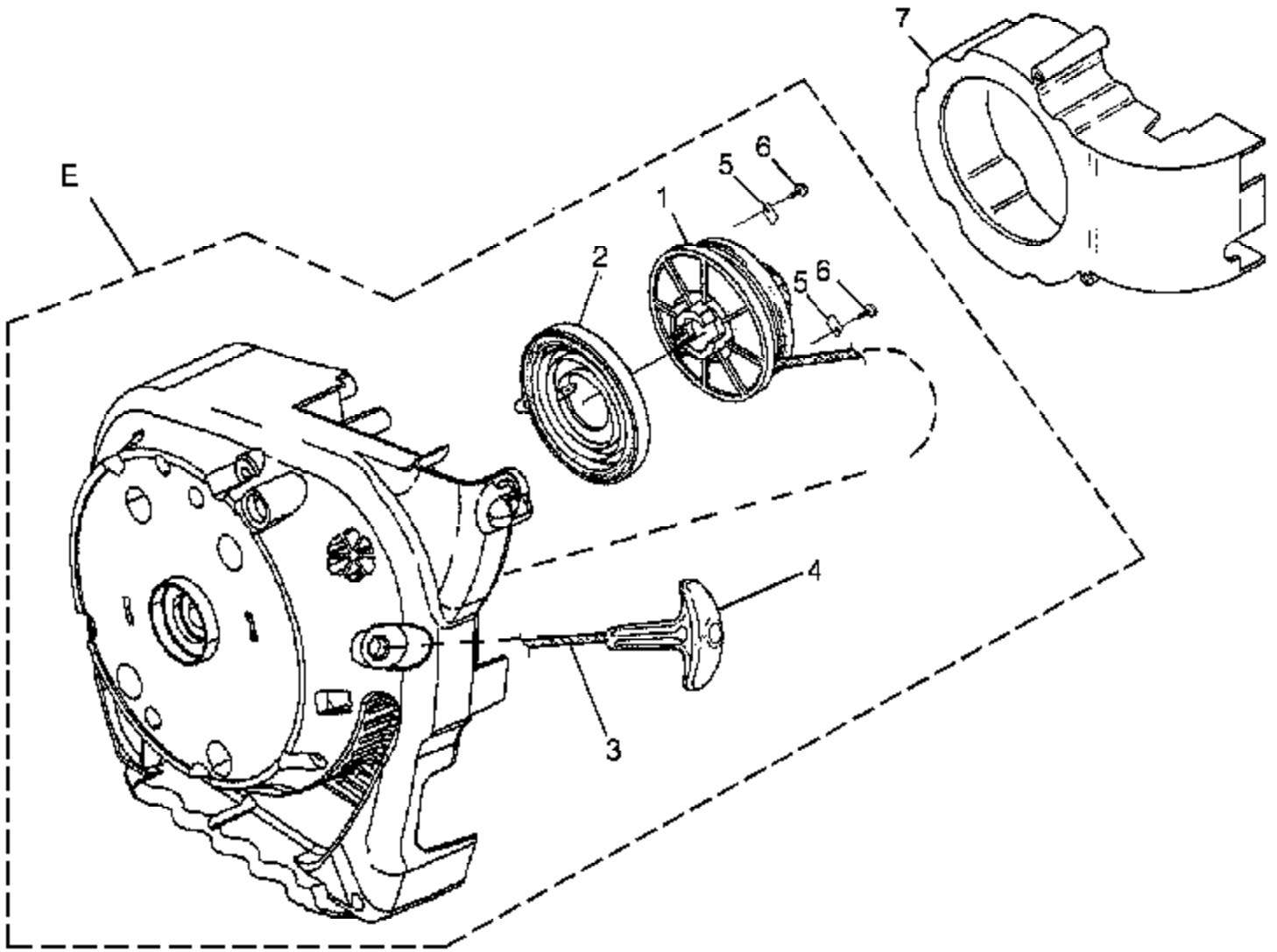




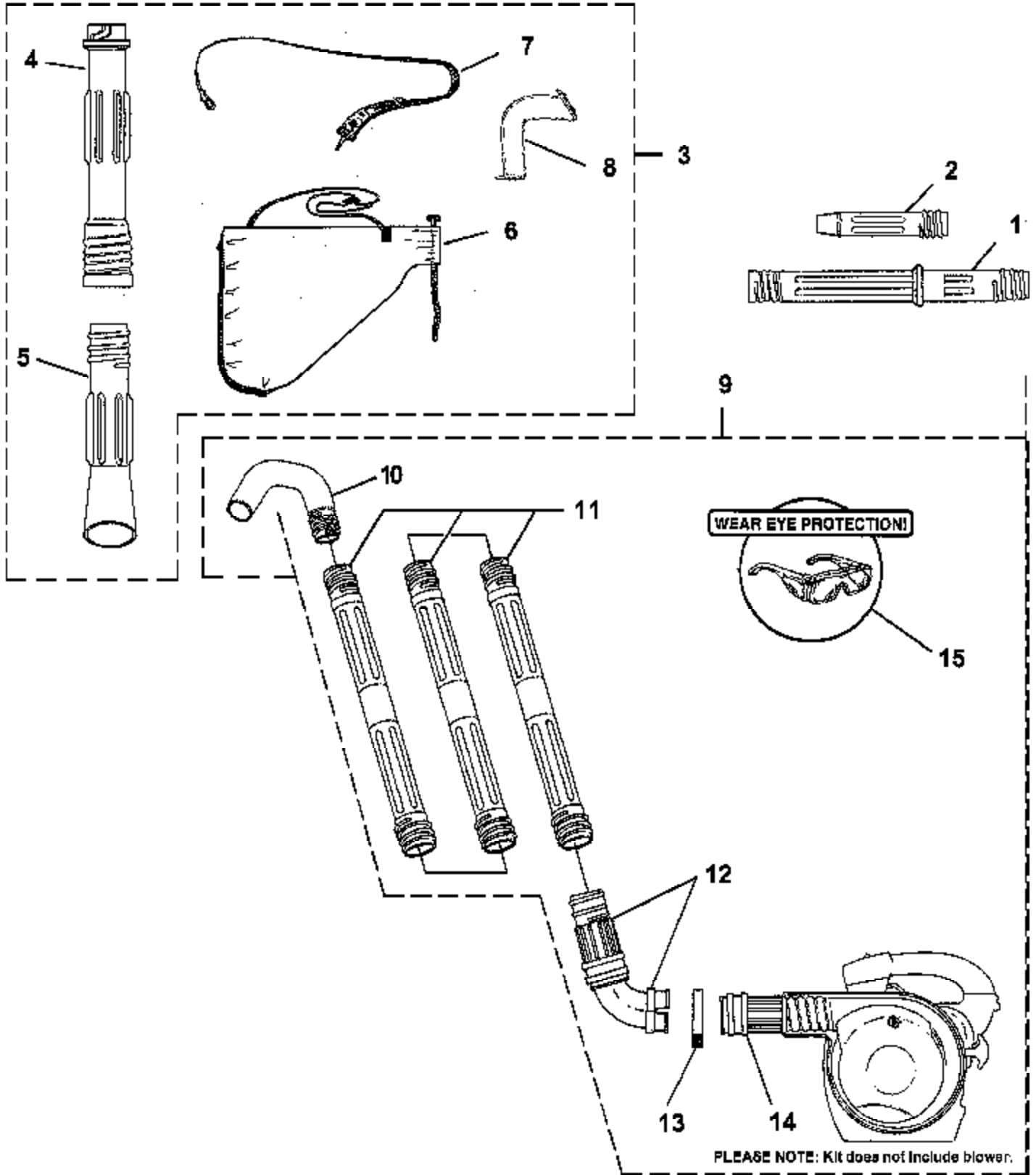
Ref #	Part Number	Qty	Description
1	UP03856	1	Rotor & Starter Pawls
2	UP03855	1	Spacer
3	UP03906	1	Washer, Flat
4	UP03896	2	Screw-Thread Forming (8-32 X 1) Torque Specs 30-40 In/Lbs; 3.4-4.5 Nm; Blue 242 Loctite Required
C	UP03858	1	Ignition Kit
5	UP03868	1	Terminal & Cover
6	UP03883	1	Resistor Spark Plug (RDJ-7Y) Torque Specs 120-180 In/Lbs; 13.6-20.3 Nm



Ref #	Part Number	Qty	Description
A	UP06823	1	Muffler Assembly, Crimped
1	UP04248	2	Screw, Taptite (8-32 x 3/8) Torque Specs 20-30 In/Lbs; 2.3-3.4 Nm
2	UP04249	2	Screw, Torx Truss Hd. (10-24 X 2.188") Torque Specs 50-60 In/Lbs; 5.6-6.8 Nm
3	UP03866	2	Washer, Conical #10
4	UP04321	1	Muffler Grommet
5	UP04316	1	Screen Assy., Spark
6	UP03817	1	Gasket, Muffler Also included with Short Block and Cylinder assemblies.
D	UP06824	1	Air Filter Assembly
7	UP04318	1	Cover, Air Box
8	UP04323	1	Filter Element #1
9	UP03893	4	Screw, Thread Forming (8-16 X .50) Torque Specs 30-40 In/Lbs; 3.4-4.5 Nm
10	UP03885	2	Nut, Lock Hex (10-24) Torque Specs 30-40 In/Lbs; 3.4-4.5 Nm

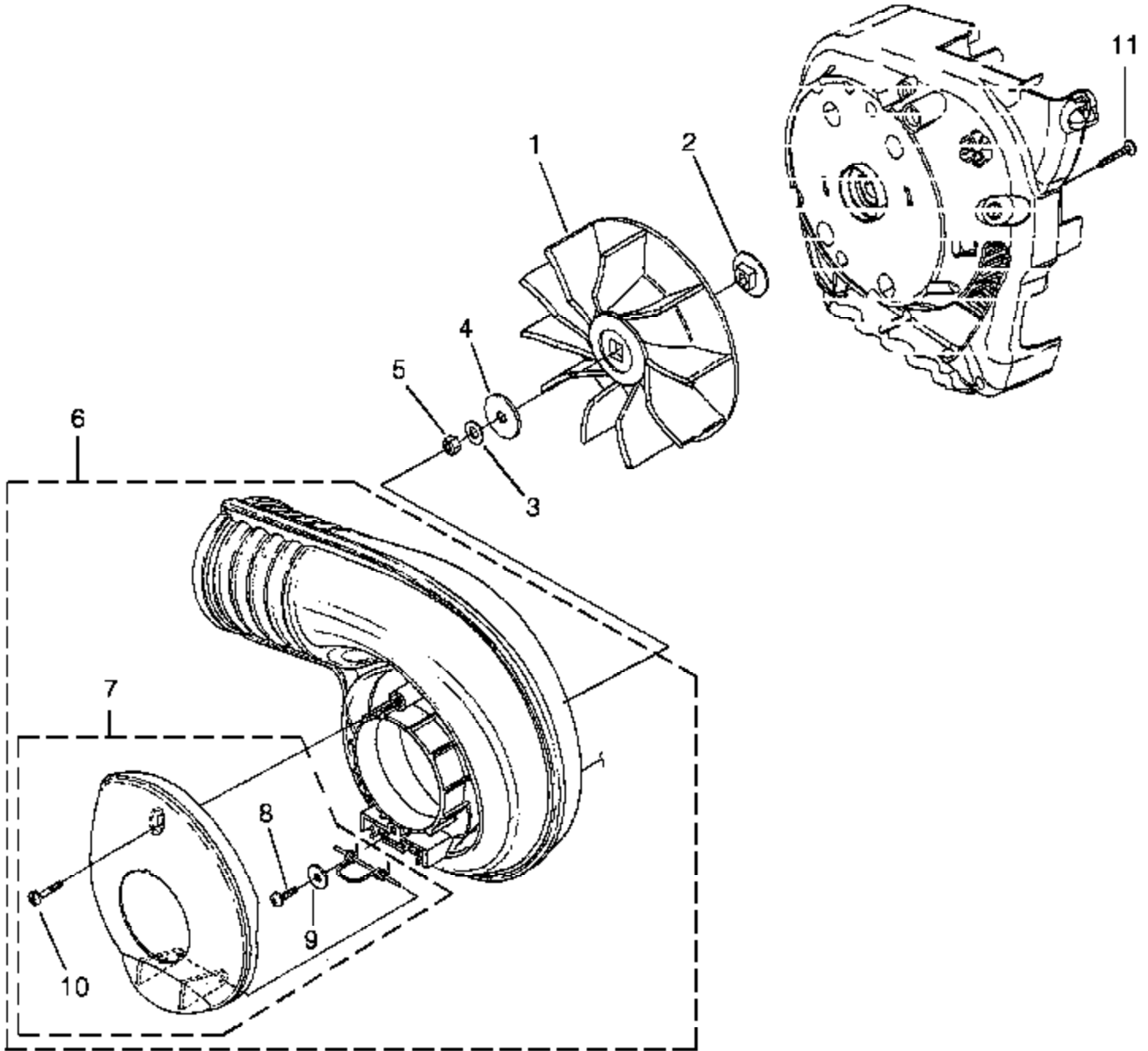


Ref #	Part Number	Qty	Description
E	UP00497	1	Starter (Svc)
1	UP04349	1	Pulley, Starter
2	UP03917	1	Spring & Container
3	UP03912	1	Rope, Starter 42"
4	UP04276	1	Grip, Starter (Black)
5	UP03919	2	Bracket-Retaining
6	UP03897	2	Screw-Plastite (#10-1/2") Torque Specs 30-40 In/Lbs; 3.4-4.5 Nm
7	UP04319	1	Scroll



Ref #	Part Number	Qty	Description
1	UP04317	1	Tube, Blower
2	UP04324	1	Nozzle, Blower
3	A09293		Vacuum Kit
4	UP04328	1	Vac Tube, Upper
5	UP04329	1	Vac Tube, Lower
6	UP04548	1	Bag
7	UP06723	1	Shoulder Strap (Optional for UT08107 after S/N MB0660000)
8	UP06902	1	Air Deflector
9	A02514D	1	Gutter Maintenance Kit
10	UP06830	1	Full Elbow
11	UP05618	3	Straight Tube
12	UP06836	1	Upper Elbow & Swivel Adapter
13	UP03821	1	Large Clamp
14	UP06868	1	Adapter
15	UP06835	1	Safety Glasses - Clear
	18416		Electronic Tachometer Special Tools
	18774		Fuel Mix Tester Special Tools
	23488C		Thread Locking Compound Special Tools
	2498203		T25 Torx Bit 6" Long Special Tools
	94194		Compression Tester Special Tools
	JA313164		Spark Tester Special Tools





Ref #	Part Number	Qty	Description
1	UP04311	1	Fan
2	UP04303	1	Adapter, Fan
3	UP03835	1	Washer, Belleville
4	UP03873	1	Washer, Flat
5	UP03884	1	Nut (3/8-24) Torque Specs 130-150 In/Lbs; 14.7-17.0 Nm
6	UP06899	1	Volute W/Door Assembly
7	UP06898	1	Volute Door
8	UP03897	1	Screw, Thread Forming (10-14 X 1/2) Torque Specs 30-40 In/Lbs; 3.4-4.5 Nm
9	UP03909	1	Washer
10	UP04547	1	Screw, Machine (10-24 X 3/4) Torque Specs 15-20 In/Lbs; 1.7-2.3 Nm
11	UP03895	5	Screw, Plastite (10-14 X 7/8) Torque Specs 35-45 In/Lbs; 4.0-5.0 Nm