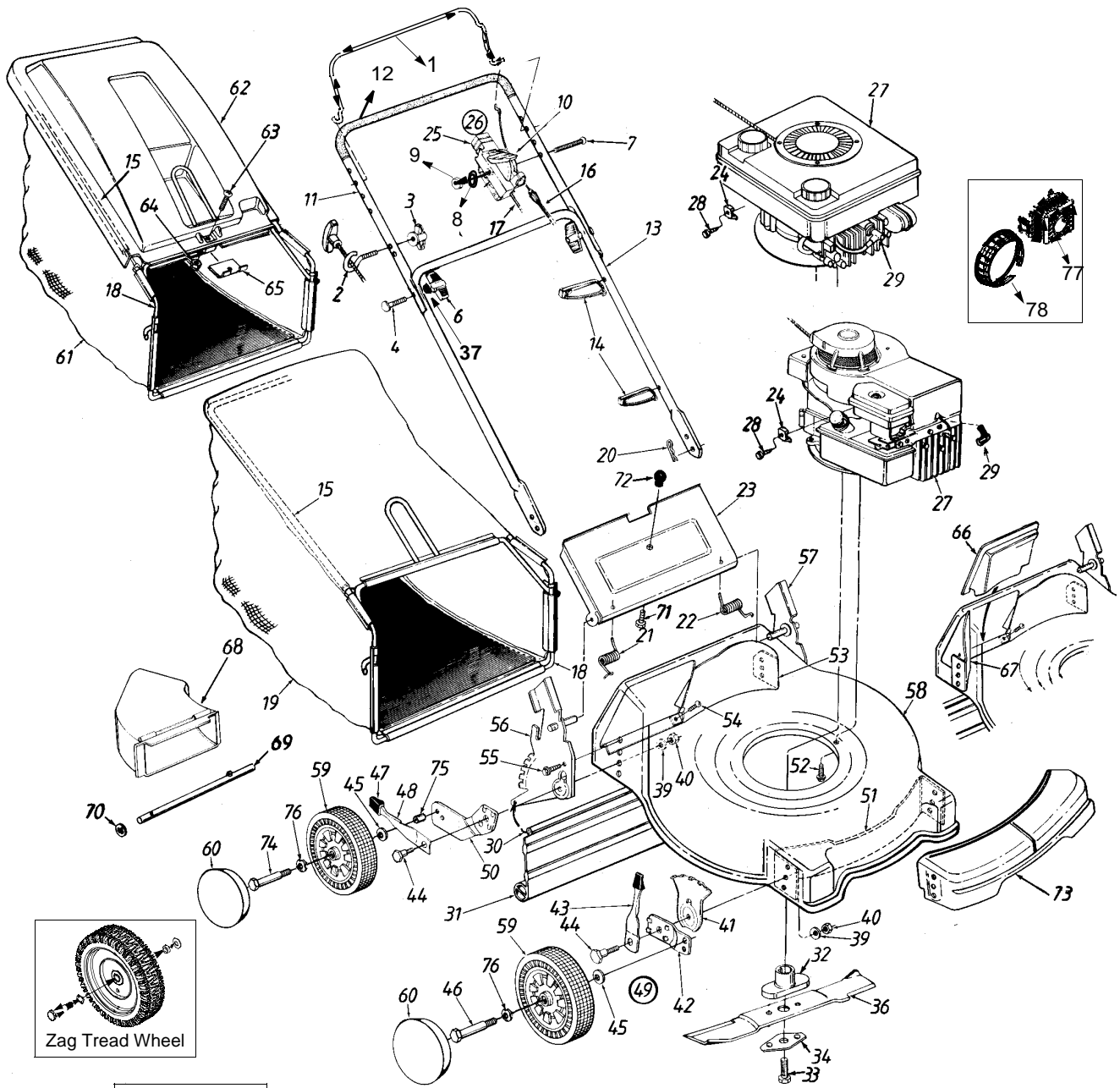


Model Series 410 Thru 429



Wheel Chart

Type of Wheel	Part No.	Tread	Color
Wheels w/o bearings	734-1781, Slot Hub	Bar Tread*	Grey
Wheels w/o bearings	734-1987, 8 x 1.8 Sp. 734-1988, 7 x 1.8	Bar Tread*	Grey
Wheels w/o bearings	634-0020, Disc Hub	Bar Tread*	Grey
Wheel Assembly BB	734-2004A	Zag Tread*	Black

* See Illustration

Model Series 410 Thru 429

Ref No.	Part No.	Description	Ref No.	Part No.	Description
1	747-1161A	Control Handle (Std.)	38	712-0431	Flange L-Nut 3/8-16 Thd.
2	710-1205	Rope Guide	39	736-0356	Bell-Wash. .39" I.D. x 1.38"
3	720-0279	Handle Knob 1/4-20 Thd.	40	712-0798	Hex Nut 3/8-16 Thd.
4	710-1174	Curved Hd. Bolt 5/16-18 x 2" Lg	41	15261A	Height Adj. Plate
6	736-0451	Hand Knob	42	15262B	Pivot Bar
7	710-0605	Oval C-Sunk Mach. Scr. †	43	14832	Spring Lever Ass'y. w/Knob
8	736-0501	Spring Washer .66" I.D. †	44	738-0507B	Shld. Bolt .5" Dia. x .357"
9	712-0324	Hex L-Nut 1/4-20 Thd.	45	736-0105	Bell-Wash. .38" I.D. x .88" O.D.
10	746-0876	Throttle Lever †	46	738-0102	Axle Bolt
11	749-1092A	Upper Handle	47	720-0426	Spring Lever Knob
	749-0705	Upper Handle (Models with Honda engine only)	48	732-0417A	Spring Lever
			49	14578	Height Adj. Assembly Comp. - R.H.
12	720-0295	Foam Grip (Optional)		14579	Height Adj. Assy. Comp. -L.H. ‡
13	749-0928	Lower Handle	50	14765	Pivot Bar R.H.
14	726-0240	Cable Tie		14766	Pivot Bar L.H. ‡
15	764-0310	Rear Catcher Frame	51	782-5002	Front Baffle
16	746-0957	Control Cable- 37.25"	52	710-0654A	Hex L-Wash. Hd. Scr. 3/8-16 x 1"
	746-1130	Control Cable-40"	53	782-5003	Rear Baffle
	746-0554	Control Cable-40.5"	54	710-1017	Torx Mach. AB-Tap Scr. 1/4 x 62"
	746-1137	Control Cable-52"	55	710-0896	Wash. Scr. 1/4 -14 x .625
17	746-1110	Throttle Control Wire - 42" †	56	682-0516A	Handle Bracket Assembly - R.H.
18	764-0311	Front Catcher Frame	57	682-0515A	Handle Bracket Assembly - L.H.
19	764-0309	Grass Bag	58	782-0310A	21" R.D. Deck
	764-0476A	Grass Bag w/Logo	59	(See Wheel Chart)	Wheel Assy. Comp.
20	714-0104	Int. Cotter Pin 5/16" Dia.			
21	732-0678	Door Spring - R.H.	60	731-0981A	Hub Cap - Gray , Rad. Spoke †
22	732-0677	Door Spring - L.H.		720-0249	Hub Cap - Gray, Euro †
23	782-7000	Rear Discharge Door	61	764-0433	Grass Bag
24	751B213146	Cable Clamp (B&S) †	62	731-1322A	Hard Top Cover w/o Logo
	7510007775	Casing Clamp (Tec.) †		731-1876	Hard Top Cover w/Logo
25	646-0876	Throttle Body †	63	710-0286	Pan Hd. Mach. Scr. 1/4-20 x .5" Lg.
26	811-00748	Throttle Box Comp. † (Models with Honda engine only)	64	712-0324	Hex Nylon L-Nut 1/4-20 Thd.
27	—	Engine	65	782-9011	Mounting Bracket
28	710-1237	Hex Wash. Hd. Scr. #10-32 x .62" Lg. (B&S) †	66	782-5007A	Mulching Baffle Plug †
			67	782-5004	Mulching Baffle - R.R. †
29	735-0639	Spark Plug Boot †	68	731-1405	Deflector †
30	732-0700	Wire Rod	69	711-0996	Rod †
31	731-1236	Rear Flap	70	726-0201	Push Speed Nut †
32	753-0588	Blade Adapter Kit (Incl. Ref. 33, 34)	71	710-0192	Truss Scr. #10-24 x .38" Lg.
33	710-1044	Hex Bolt 3/8-24 x 1.5" Lg.	72	720-0275	Knob
34	736-0524A	Blade Bell Support	73	731-1506	Deck: Front Cover †
36	742-0741	21" Mulching Blade	74	738-0213	Rear Axle Bolt †
	742-0641	21" Blade		738-0102	Axle Bolt
37	736-0451	Saddle Wash. .320 I.D. x .93 O.D.	75	750-0535	Spacer †
			76	736-0504	Wave Washer †

† If equipped

‡ Not illustrated