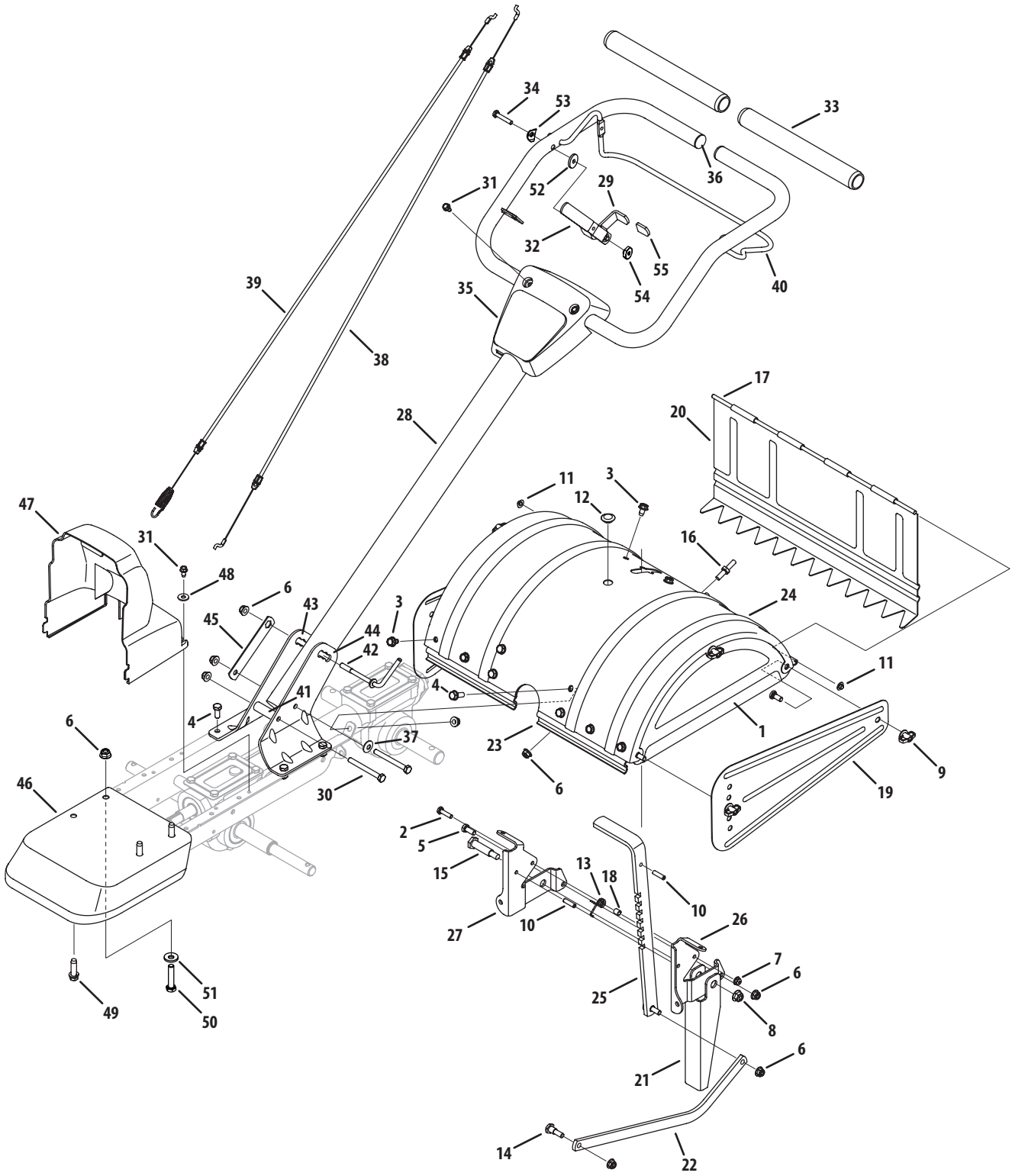


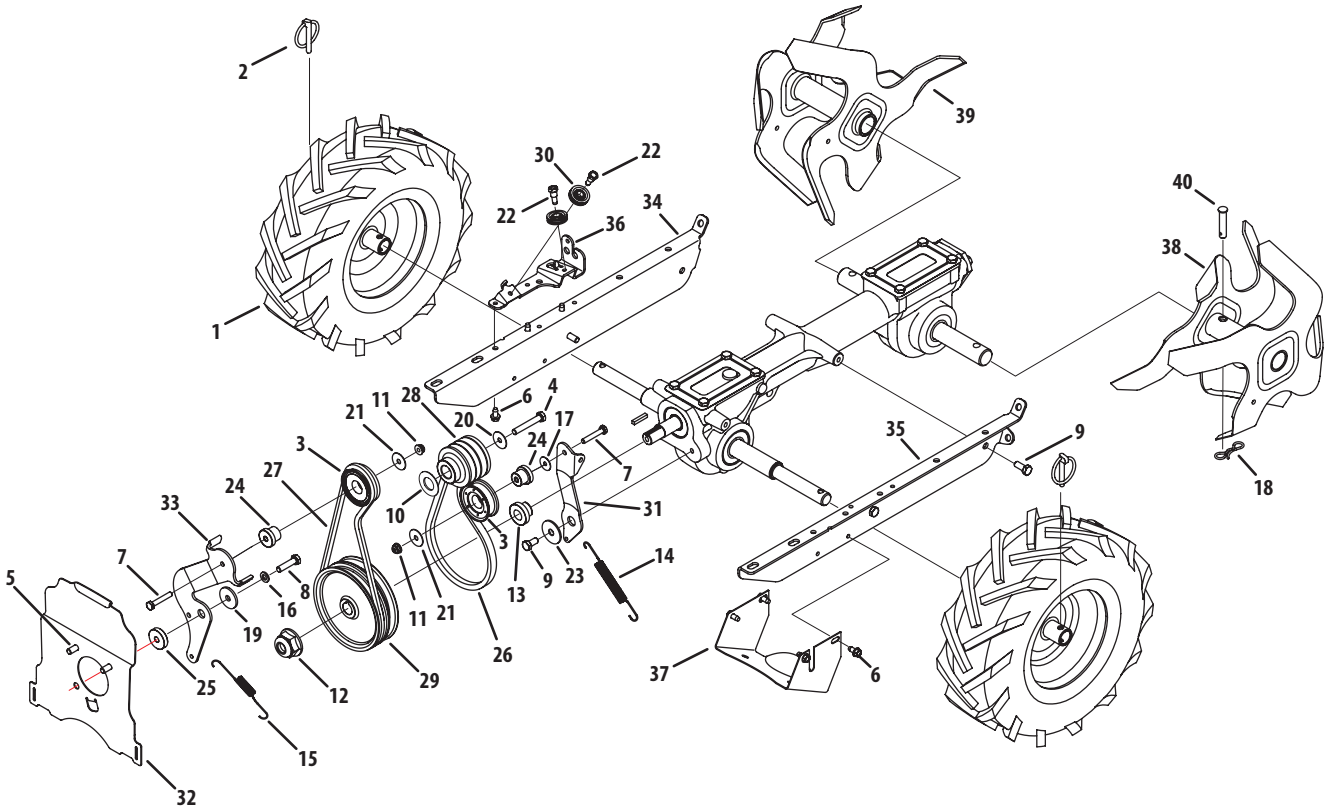
Model Series 400



Ref.	Part Number	Description
1.	686-0044B	End Cover Assembly
2.	710-0597	Hex Head Screw, 1/4-20 x 1
3.	710-0604A	Hex Head Screw, 5/16-18 x .625
4.	710-1238	Hex Head Screw, 5/16-18 x .875
5.	710-3008	Hex Head Screw, 5/16-18 x .75
6.	712-04063	Nylon Hex Lock Nut, 5/16-18
7.	712-04064	Nylon Hex Lock Nut, 1/4-20
8.	712-04065	Flange Lock Nut, 3/8-16
9.	712-0421	Wing Nut, 5/16-18
10.	715-0108	Spirol Pin
11.	926-0106	Cap Nut, 1/4 Rod
12.	731-05512	Hole Plug
13.	732-04320	Torsion Spring
14.	738-04320	Shoulder Screw, .405 x .435 5/16-18
15.	938-0533	Shoulder Screw, .498 x 1.635
16.	938-0849	Stop Screw
17.	747-0432	Tiller Flap Rod
18.	750-05349	Spacer
19..	786-0090A	Side Shield
20.	786-0113A	Rear Tine Shield
21.	786-04092	Reverse Stop Arm
22.	786-04104	Drag Bar
23.	786-04352A	Tine Shield Mounting Bracket
24.	786-04355A	Tine Shield
25.	786-04356	Adjustable Depth Bar
26.	786-04363	Tail Bracket, LH
27.	786-04364	Tail Bracket, RH
28.	649-04098	Upper Handle Assembly

Ref.	Part Number	Description
29.	686-04135	Reverse Handle Assembly
30.	710-0189	Hex Head Screw, 5/16-18 x 3.00
31.	710-0599	Self-Tapping Screw, 1/4-20 x 1/2
32.	731-04735	Handle Select
33.	720-0278A	Foam Handle Grip
34.	710-3288	Hex Head Screw, 1/4-20 x 1.62
35.	731-06253A	Handle Cover
36.	735-04105	Plug End
37.	736-0242	Bell Washer, .340 x .872 x .060
38.	946-04504	Reverse Cable
39.	946-04506	Forward Cable
40.	747-04789	Clutch Bail
41.	750-0885A	Spacer, .322 x .625 x 2.00
42.	786-0340B	Handle Crank
43.	786-04344	Handle Bracket, RH
44.	786-04345	Handle Bracket, LH
45.	786-04358	Retainer Nut Bracket
46.	786-04360	Front Bumper
47.	731-06529	Belt Cover
48.	736-0173	Flat Washer, .28 x .74 x .063
49.	710-0502A	SEMS Screw, 3/8-16
50.	710-0805	Hex Head Screw, 5/16-18 x 1.50
51.	736-04193	Bell Washer, .827 x .331 x .098
52.	936-0176	Flat Washer, .265 x .938 x .120
53.	936-0451	Saddle Washer, .320 x .930 x .060
54.	738-0440	Spacer, .375 x .165
55.	720-04173	Reverse Handle Grip

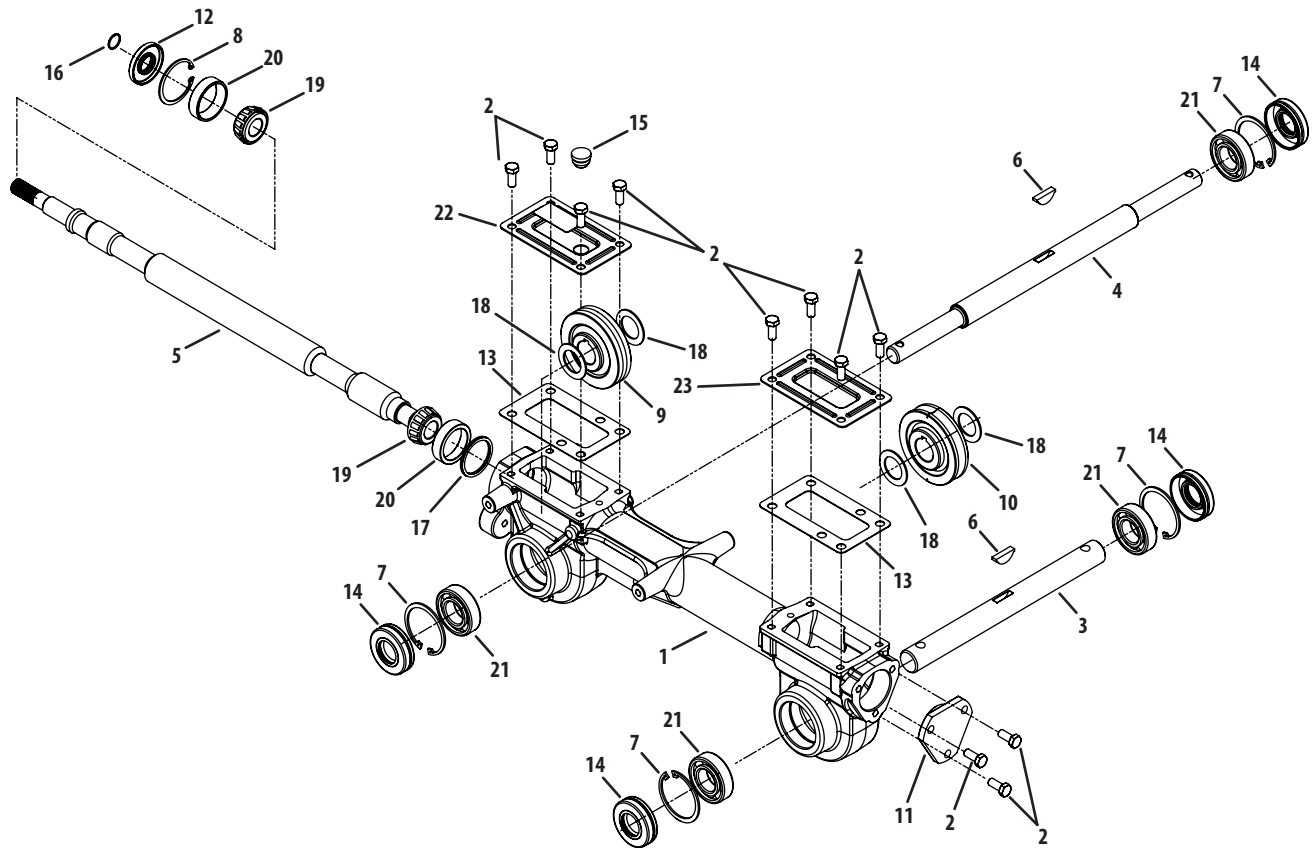
Model Series 400



Ref.	Part Number	Description
1.	934-04232	Complete Whl. Ass., 13 x 5 x 6 (B, C)
2.	714-0143A	Klik Pin
3.	684-04168	Idler Pulley Assembly
4.	710-0331	Hex Head Screw, $\frac{3}{8}$ -24 x 2.25
5.	710-0170	Hex Head Screw, $\frac{5}{16}$ -24 x .625
6.	710-0599	Self Tapping Screw, $\frac{1}{4}$ -20 x .500
7.	710-0606	Hex Head Screw, $\frac{1}{4}$ -20 x 1.50
8.	710-0672	Hex Head Screw, $\frac{5}{16}$ -18 x 1.25
9.	710-1880	Hex Head Screw, $\frac{5}{16}$ -18 x .75, Patch
10.	736-0315	Washer, Flat, .760 x 1.50 x .120
11.	712-04064	Nylon Hex Lock Nut, $\frac{1}{4}$ -20
12.	712-0700	Nut, 9/16-18, Flange Lock
13.	718-04407	Hub, $\frac{5}{8}$ Spline
14.	732-04085	Extension Spring, .480 OD X 5.00 LG
15.	732-04276A	Extension Spring, LT5 PTO
16.	936-0119	Lock Washer, $\frac{5}{16}$
17.	736-0173	Washer, .28 x .74 x .063
18.	714-04043	Cotter Pin, Bow Tie
19.	736-0343	Flat Washer, .330 X 1.25 X .120
20.	936-0452	Bell Washer, .396 x 1.140 x .095

Ref.	Part Number	Description
21.	736-3092	Flat Washer, .265 x 1.0 x .030
22.	738-04425	Shoulder Screw, .342 x .335 $\frac{1}{4}$ -28
23.	748-04087A	Pivot Idler Spacer
24.	750-04571	Shoulder Spacer, .260 x .785 x .538
25.	750-04907	Pivot Idler Spacer
26.	1916657	V-Belt, 4L x 25.375 Long
27.	1916658	V-Belt, 3L x 29.125 Long
28.	756-04198A	Engine Pulley
29.	756-04355	Transmission Pulley
30.	756-0625	Cable Roller
31.	786-04312	Idler Bracket, Forward
32.	786-04343	Cover Plate
33.	786-04346	Idler Bracket, Reverse
34.	786-04416A	Mounting Frame, RH
35.	786-04415B	Mounting Frame, LH
36.	786-04357	Pulley Bracket
37.	786-04371	Pulley Shield
38.	642-04071	Tine Assembly, LH
39.	642-04072	Tine Assembly, RH
40.	911-0415	Clevis Pin, .375 x 1.75

Model Series 400



Ref.	Part Number	Description
	918-04815A	Transmission Assembly
1.	919-04184A	Housing, Transmission
2.	710-3008	Hex Screw, 5/16-18, .75, Gr5
3.	911-04844	Shaft, Tiller
4.	911-04854	Shaft, Wheel
5.	911-05028	Shaft, Worm
6.	714-04059	Key, Hi Pro .25 x 1.062
7.	716-0204	Retaining Ring
8.	716-04102	Retaining Ring, Int
9.	917-04380	Worm Gear, 61t, RH
10.	917-04381	Worm Gear, 30t, LH
11.	918-04435	Bearing Cover
12.	921-04030	Seal, Oil, .750 Shaft x 1.783 Bore
13.	921-04229	Gasket, Gear Housing
14.	721-04232	Seal, Oil, 1.00 Shaft x 2.00 Bore
15.	721-04271	Rubber Plug, Oil
16.	732-0614	Wire Ring
17.	736-04305	Washer, Flat, 1.50 x 1.75 x .062
—	736-04306	Washer, Flat, 1.50 x 1.75 x .005
—	736-04307	Washer, Flat, 1.50 x 1.75 x .03
—	736-04308	Washer, Flat, 1.50 x 1.75 x .010
18.	736-0745	Washer, Flat, 1.010 x 1.56 x .060
19.	941-04298	Cone Bearing
20.	941-04299	Bearing Cup
21.	741-3114	Ball Bearing
22.	786-04366	Cover, Transmission
23.	786-04392	Cover, Transmission

* — The flat washers listed are used as required to obtain .005 to .015 in allowable end play on the drive shaft.