



# Model 377

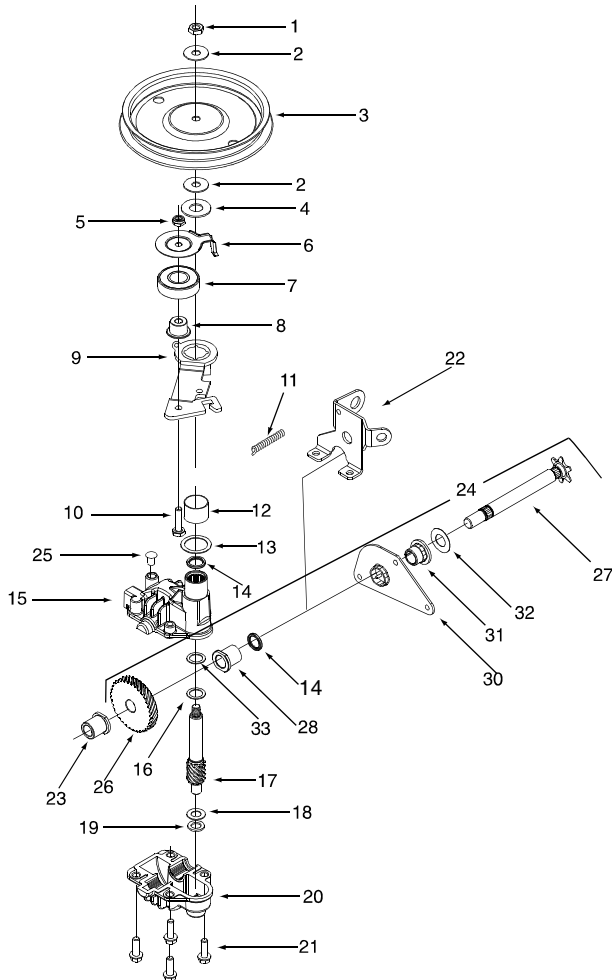
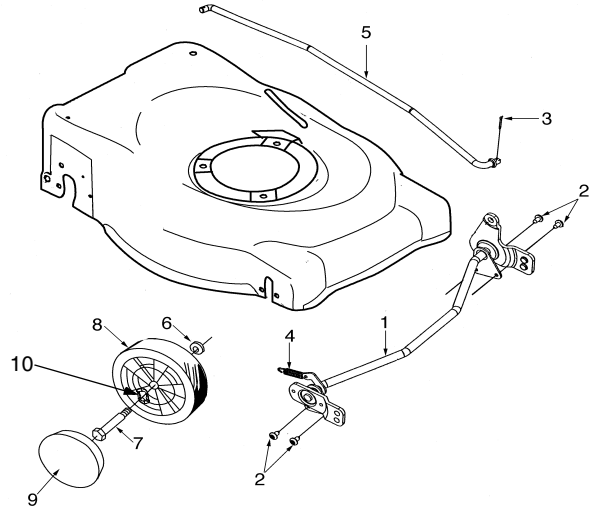
Ref. No.	Part No.	Description	Ref. No.	Part No.	Description
1.	647-0004	Control Handle Ass'y	82.	638-0005	Axle Assy: RR
2.	731-1639	Baffle	83.	682-7518	Axle Assy: Trans.
3.	710-0605	Oval C-Sunk Mach-Screw†	84.	682-7524	Cover Ass'y - Chain
4.	736-0501	Spring Washer.66"ID†	85.	710-0604A	Scr. TT 5/16-18
5.	720-0279	Handle Knob 1/4-20 Thd.	86.	710-0653	Scr. TT 1/4-20
6.	646-0875	Throttle Body†	87.	710-0751	Hx Cap Screw 1/4-20
7.	712-0324	Hex L-Nut 1/4-20	88.	710-0896	Hex Washer Screw 1/4-20 x .625
8.	749-0439D	Upper Handle	89.	710-1315	Scr 3/8 - 16 x 1.25
9.	746-0876	Throttle Lever†	90.	711-0835	Pin - Clv. .500 Dia.x.4.62 Lg.
12.	746-0848	Throttle Control Wire - 47"†	91.	713-0421	Chain:Endless 48:.500P x 22 Lg.
	746-0843	Throttle Control Wire - 55"†	92.	714-0474	Pin-Cotter .125 O.D. x .75
	746-0841	Throttle Control Wire - 60"†	93.	720-0230	Grip-Foam
13.	710-1205	Rope Guide	94.	732-0803A	Spring Lever
14.	732-0700	Wire-47" Lg.	95.	732-0818	Torsion Spring
15.	720-0284	Hand Knob	96.	736-0270	Bell Washer .265 x .75 x .062
16.	746-0556	Control Cable-45"	97.	736-0369	Wash.Flat.508 I.D. x 1.0 O.D.
17.	726-0240	Cable Tie	98.	738-0529	Nut - Shoulder .625 x .165 Lg.
18.	710-1174	Cr.Hd. Bolt 5 / 16-18 x 2" Lg.	99.	741-0324	Bearing-Flg Hex
19.	749-0907B	Lower Handle	100.	741-0522	Bearing-Flg. Hex
20.	811-00185	Throttle Assy. (Incl. 3,4,6,7,9)†	101.	741-0978	Bearing-Sleeve
21.	710-1237	Hex Self-Tap Scr. #10-32 x.62"†	102.	748-0318	Ratchet Wheel
	710-0871	Hex Sems Scr. #10-32 x.3"†	103.	750-0807	Spacer - .385 x .625 x .700
22.	735-0639	Spark Plug Boot†	104.	750-1056	Spacer-Shld. .385 I.D.x .715 Lg.
23.	751B213146	Cable Clamp†	105.	750-1075	Spacer Slv. .520 I.D. x .950 Lg.
24.	710-1220	Screw H.L. 12-24	106.	782-0566B	Pivot Arm
25.	710-0351	Screw Mach. B Tapp.	107.	782-0568	Spring Bracket
28.	731-1714A	Belt Cover	108.	746-0713	S.P. Cable 52.5"
35.	714-0104	Int. Cotter Pin 5/15" Dia.	109.	731-1059	Mounting Cap
37.	747-0922	Pivot Rod	110.	731-1057	Control Cover - Upper
38.	750-1068	Spacer .385 I.D.	111.	731-1058	Control Cover - Lower
39.	732-04074	Torsion Spring L.H.	112.	731-0620	Lever
44.	782-3029	Handle Brkt. Ass'y - L.H.	113.	710-1667A	Screw #10-16 x.625
45.	710-0653	Screw, Tap 1/4-20	114.	712-0414	Weld Top L. 1/4-20
47.	712-0400	U-Nut	115.	16855	Pawl Plate
48.	782-3030	Handle Brkt. Ass'y - R.H.	116.	748-0188B	Pawl L.H. (Not Shown)
49.	710-1348	Screw AB 1/4-20		748-0381	Pawl R.H.
52.	710-0654A	Hex L-Wash. Hd. Scr. 3/8-16 x 1"	117.	738-0137A	Shldr. Scr. .340x.285
53.	682-0075A	21" Deck	118.	10622B	Spring, Ratchet
56.	731-1236	Rear Flap 17.77 Lg.	119.	731-0981A	Hub Cap
57.	782-7599B	Rear Chute Door	120.	731-1685	Mulch Plug
58.	782-9050	Grassbag Mtg. Brkt.†	121.	731-1461	Chute Deflector †
59.	731-0068	Hardtop Bag Cover†	122.	747-0958	Chute Mounting Rod †
61.	747-0919	Catcher Frame	123.	712-0324	Hex-L-Nut 1/4-20 thd.†
62.	664-0080	Grass Bag - Black	124.	710-0924	Mach. Scr. 1/4-20 †
72.	736-0524A	Blade Bell Support	125.	720-0294	Foam Grip†
73.	742-0741	21" Mulching Blade w/Star	126.	754-0271	Belt
74.	748-0377C	Blade Adapter	128.	782-7018	Pulley Cover
	753-0609	Blade Adapter Kit w/Star	129.	710-1026	Scr. TT1/4-20:1.750 Hx IndWash
75.	710-1257	Hex Bolt 3/8-24 x 2.5 Lg.	130.	736-0329	Lockwasher 1/4" Reg.
76.	748-0358	Spacer	131.	736-3020	Fl. Wash. .271 x .630 x .065
77.	736-0514	Fl. Wash. .885 x 1.85 x .06	132.	712-0287	Nut 1/4-20
78.	736-0513	Spr. Wash. .890 x .7x .04	136.	710-1270	Scr. 1/4-20:1.31 Lg.
79.	756-0962	Pulley Half - Upper	137.	746-0883	Housing (w/o Throttle)†
80.	756-0979	Pulley Half - Lower	138.	710-0896	Hex Washer Screw 1/4-20 x.625†
81.	734-1979	Wheel Assembly	139.	736-0451	Saddle Washer

†If Equipped

# Model 377

## Front Axle Assembly & Height Adjuster

Ref. No.	Part No.	Description
1.	611-0060	Axle Ass'y, Frt.
2.	710-1348	AB Pan Scr. 1/4-14 x .50 Lg.
3.	714-0104	Cotter Pin .072 x 1.12 Lg.
4.	732-0820	Ext. Spring
5.	747-0920A	Adj. Rod
6.	736-0105	Bell Washer
7.	738-0102	Shl. Bolt.498 x 1.445 3/8-16
8.	734-1978	Wheel Ass'y - Complete
9.	731-0981A	Hub Cap
10.	736-0504	Wave Washer



Ref. No.	Part No.	Description
1.	712-3025	Hx. Jam Nut 5/16-24
2.	736-0425	Bell Wash. .325 x .930 x .045
3.	756-0656	Pulley
4.	736-3084	Fl. Wash. .510 x 1.120 x .060
5.	712-0896	Hx. Jam Nut 1/4-28
6.	782-7598	Belt Keeper
7.	741-0124	Bearing
8.	750-1050	Flange Spacer
9.	682-0027A	Idler Bracket Ass'y.
10.	710-0299	Hx. Cap Scr. 1/4-28 x 1.00 Gr. 5
11.	732-0849A	Torsion Spring
12.	741-0682A	Bearing Sleeve
13.	736-0570	Fl. Wash. .885 x 1.145 x .030
14.	721-0329	Oil Seal
15.	618-0253	Upper Housing Ass'y.
16.	736-0616	Fl. Wash. .504 x .700 x .030
17.	717-1487	Pinion Shaft 10 T.
18.	736-0314	Thr. Wash. 3/8 x .70 x .030
19.	736-0569	Thr. Wash. .388 x .625 x .062
20.	618-0252	Lower Housing Ass'y.
21.	710-0642	Hx. Scr. 1/2-20 x .75
22.	782-7601A	Cable Bracket
23.	741-0674	Bearing
24.	611-0066	Shaft Ass'y.
25.	721-0325	Plug
26.	717-1469	Gear 34 T.
27.	711-1168	Output Shaft 6 T.
28.	741-0673	Flange Bearing
30.	782-7595	Pivot Bracket
31.	741-0324	Flange Bearing
32.	736-0369	Wash. Fl. .508 I.D. x 1.00 O.D. x .020
33.	741-0690	Thrust Bearing
-	618-0263A	Transmission Complete