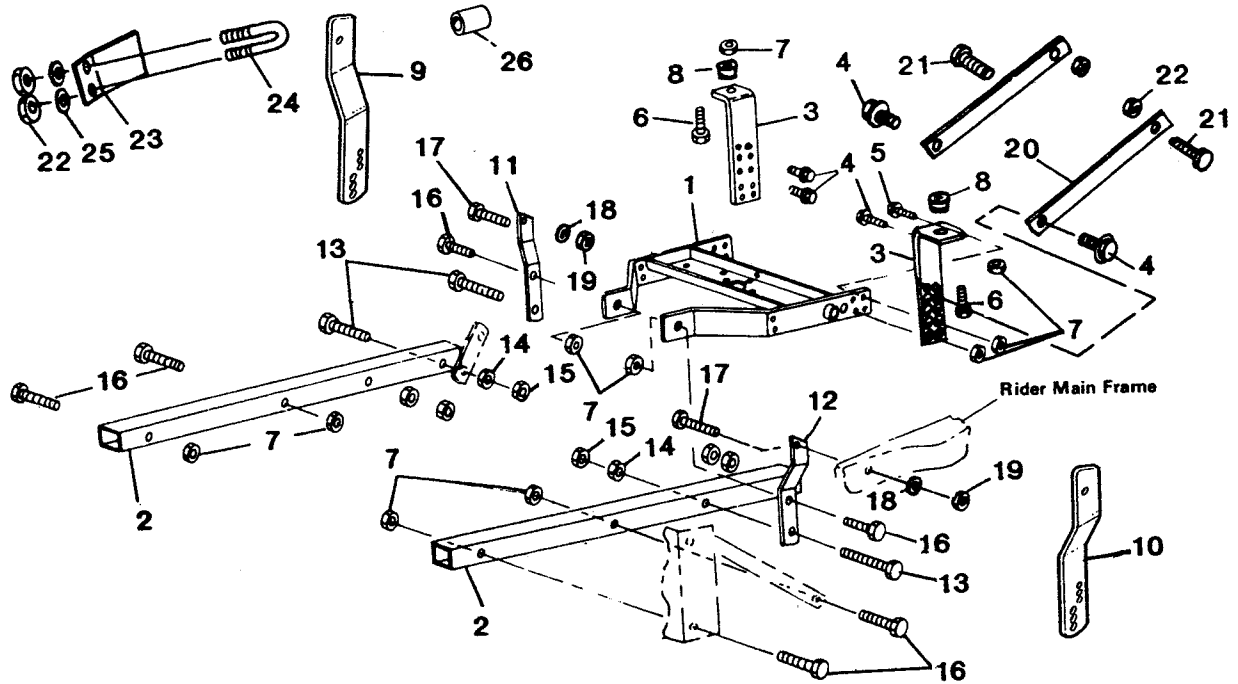


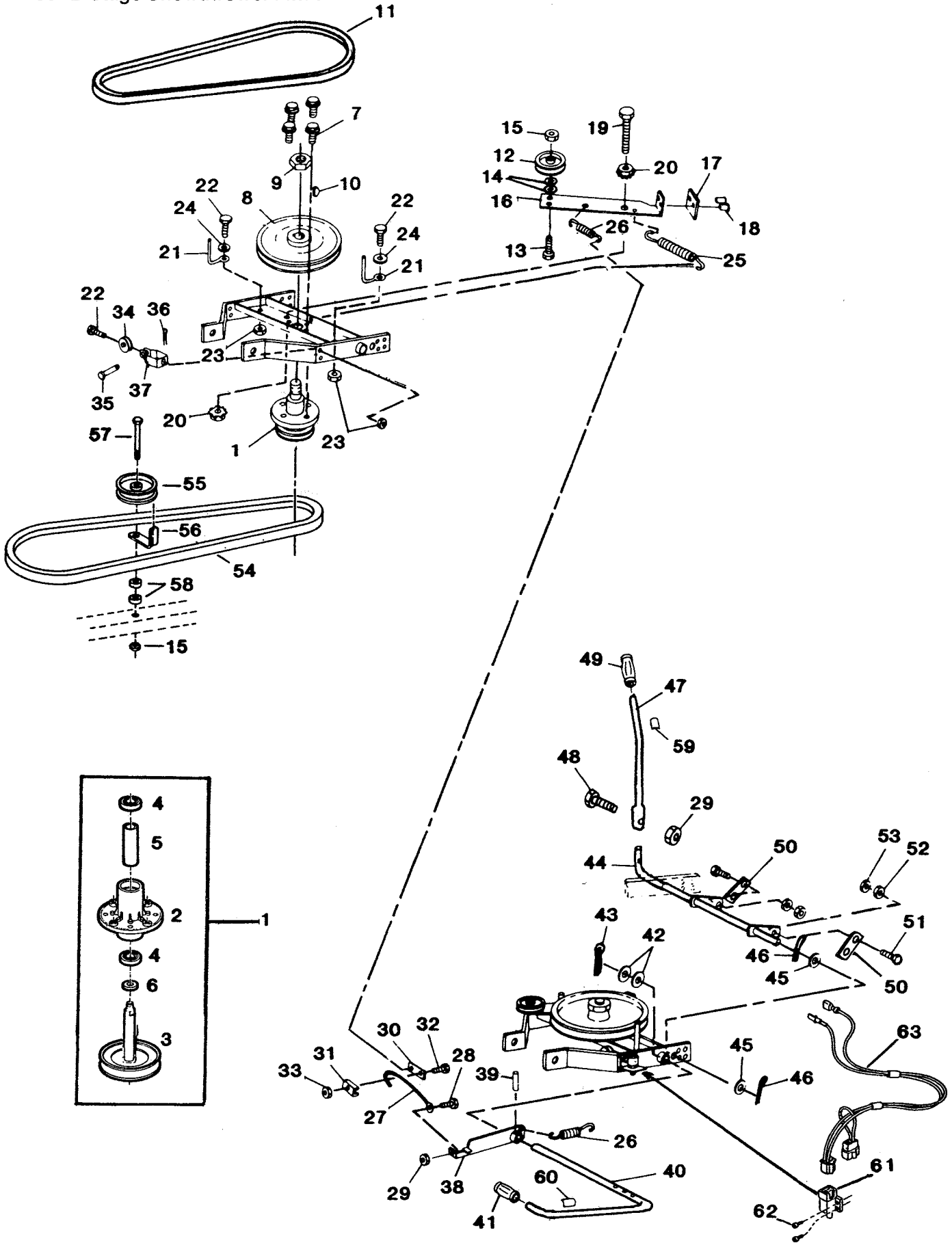
Model: 36SNOBLO-K
36" 2-Stage Snowthrower Attachment



Index		
No.	Part No.	Description
1	017749	Frame - spindle support
2	017764	Tube - lift
3	017772	Hanger - rear
4	157891	Bolt - hex tap 3/8-16 x 1 flange
5	158014	Bolt - hex tap 3/8-16 x 1-1/4 flange
6	457176	Bolt - hex 3/8-16 x 1-1/4
7	310011	Nut - hex 3/8-16 center lock
8	174086	Spacer - rear hanger
9	016964	Hanger - front RH (7 hole)
10	016972	Hanger - front LH (7 hole)
11	016949	Hanger - front RH (3 hole)
12	016931	Hanger - front LH (3 hole)
13	162586	Bolt - hex 1/2-20 x 2-1/2

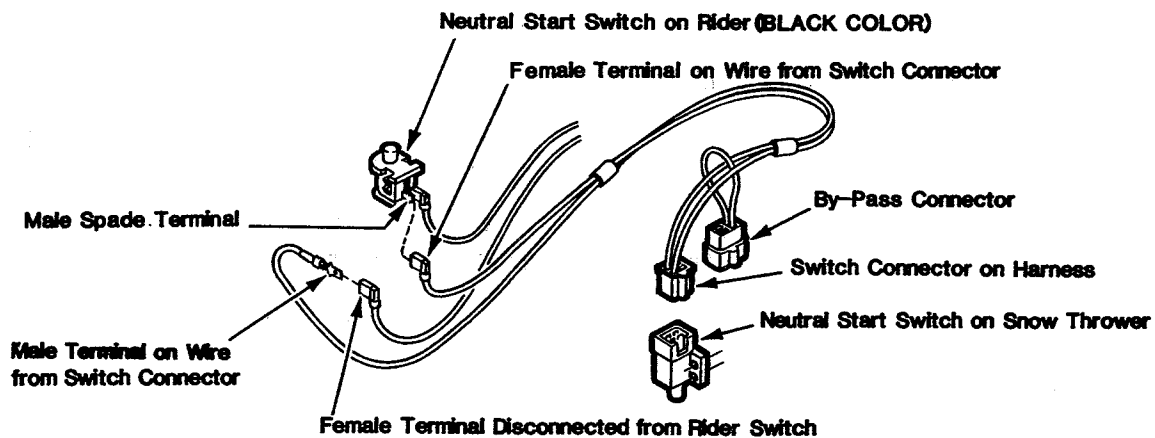
Index		
No.	Part No.	Description
14	452904	Nut - hex 1/2-20
15	627034	Nut - hex jam 1/2-20
16	312355	Bolt - hex 3/8-16 x 2
17	162578	Bolt - hex 7/16-14 x 1
18	311068	Washer - split lock 7/16
19	162602	Nut - hex 7/16-14
20	016915	Brace - frame
21	157941	Bolt - hex 5/16-18 x 7/8
22	616342	Nut - hex 5/16-18 center lock
23	176040	Deflector - exhaust
24	163337	U-bolt - deflector
25	163329	Spacer - deflector
26	176867	Spacer - axle pivot

Model: 36SNOBLO-K
36" 2-Stage Snowthrower Attachment



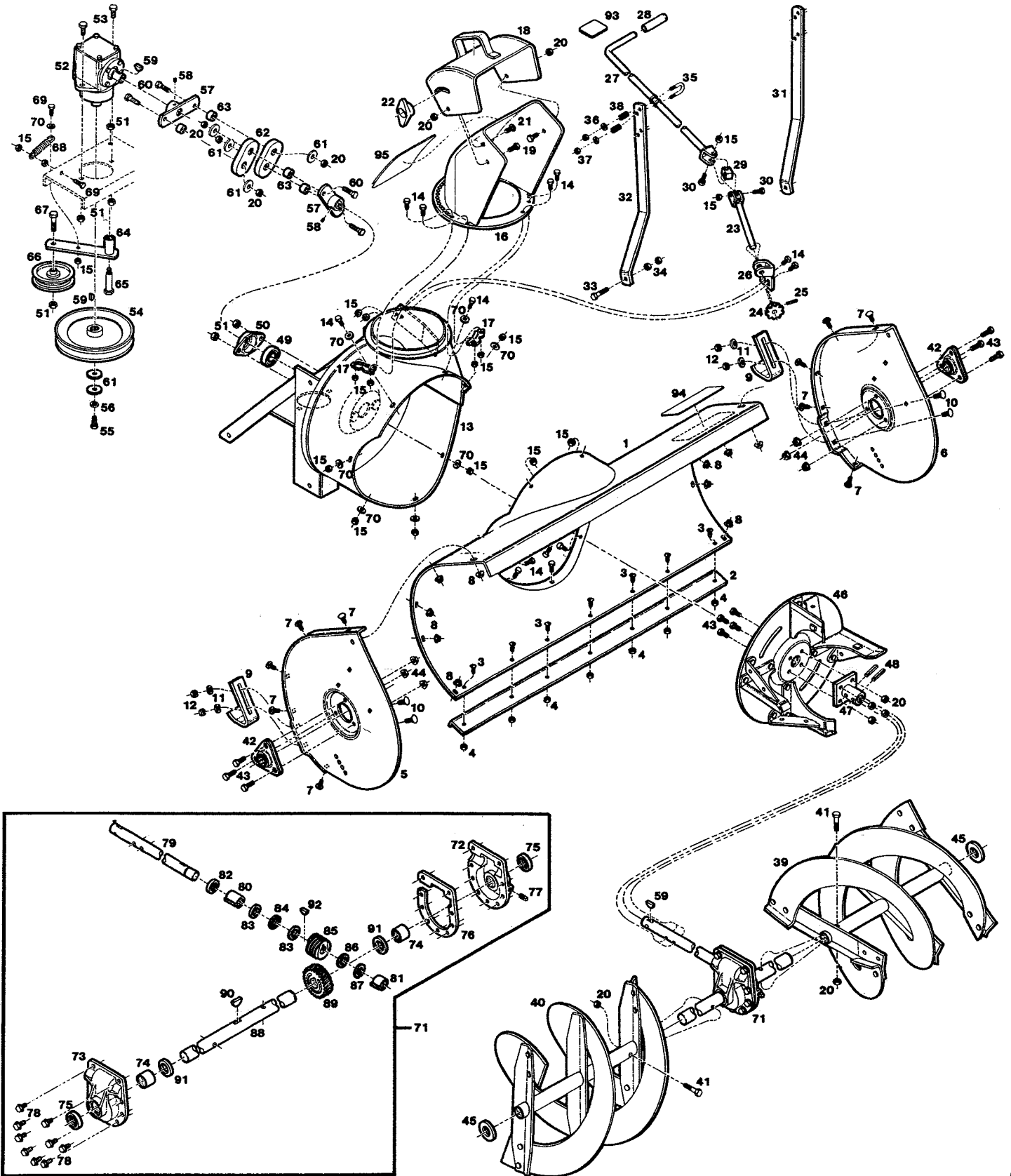
PARTS LISTS - 36" SNOW THROWER ATTACHMENT

Index			Index		
No.	Part No.	Description	No.	Part No.	Description
1	178608	Spindle assembly w/pulley Includes next 5 parts	32	162214	Screw - hex #10-32 x 1/2
2	137786	Housing - bearings	33	162222	Nut - hex lock #10-32
3	175703	Shaft - spindle w/pulley	34	112177	Pulley - cable
4	095406	Bearing - spindle shaft	35	158204	Pin - cable pulley 3/8 x 1
5	163212	Spacer - bearings	36	715029	Pin - cotter 3/32 x 3/4
6	163204	Spacer - pulley	37	014563	Bracket - cable pulley
7	159830	Bolt - hex tap 5/16-18 x 7/8 flange	38	017806	Arm - clutch engaging
8	017780	Pulley - spindle drive	39	162610	Pin - spiral 1/4 x 1
9	163196	Nut - hex jam 5/8-18	40	017814	Pedal - clutch
10	615534	Key - pulley, woodruff #9	41	113472	Grip - clutch pedal
11	137711	Belt - drive, from engine 52-3/8 in.	42	311282	Washer - flat 21/32 1D
12	137505	Pulley - idler	43	715011	Hairpin cotter
13	312322	Bolt - hex 3/8-16 x 1-3/4	44	017822	Cross shaft - lift
14	158345	Washer - flat 3/8	45	158063	Washer - flat 3/4 1D
15	310011	Nut - hex 3/8-16 ctr lock	46	163238	Pin - cotter 1/4 x 1-1/4 locking
16	178590	Arm - idler pulley w/brake pad Includes next two parts	47	016956	Lever - lift
17	137802	Pad - brake	48	157735	Bolt - hex 1/4-20 x 1-3/8
18	163220	Rivet - brake pad	49	751032	Grip - lever
19	159020	Bolt - hex 3/8-16 x 1-1/2	50	018853	Link - lift
20	451500	Nut - hex keps 3/8-16	51	163246	Bolt - hex 1/2-20 x 1-3/4
21	175752	Guide - belt	52	452904	Nut - hex 1/2-20
22	450346	Bolt - hex 5/16-18 x 3/4	53	627034	Nut - hex jam 1/2-20
23	616342	Nut - hex 5/16-18 center lock	54	136176	Belt - gear box drive
24	715185	Washer - flat 5/16	55	098079	Pulley - belt guide
25	162461	Spring - brake engaging	56	097105	Retainer - belt
26	099846	Spring - clutch	57	163345	Bolt - hex 3/8-16 x 3-3/4
27	051946	Cable - clutch engaging	58	174086	Spacer - pulley
28	449587	Bolt - hex 1/4-20 x 5/8	59	009233	Decal - lift handle
29	616375	Nut - hex 1/4-20 center lock	60	680736	Decal - clutch pedal
30	017798	Strap - cable	61	134825	Switch - neutral start
31	150318	Clamp - cable	62	151118	Screw - hex tap #10-24 x 1/2
			63	138073	Harness - wire



NEUTRAL START SWITCH WIRING SCHEMATIC

Model: 36SNOBLO-K
36" 2-Stage Snowthrower Attachment



PARTS LISTS - 36" SNOW THROWER ATTACHMENT

Index			Index		
No.	Part No.	Description	No.	Part No.	Description
1	016832	Housing - auger w/scraper blade	47	017863	Hub - impeller
2	017848	Blade - scraper	48	314088	Pin - roll 1/4 x 1-1/4
3	150953	Screw - slotted 1/4-20 x 1/2 (replaces original rivets)	49	137679	Bearing - impeller
4	155242	Nut - hex jam lock 1/4-20	50	137661	Retainer - bearing
5	016808	End plate - auger housing RH	51	310011	Nut - hex 3/8-16 center lock
6	016816	End plate - auger housing LH	52	137703*	Gear box (Tecumseh/Peerless Model 2690-P91)
7	150011	Bolt - carriage 1/4-20 x 5/8	53	158642	Bolt - hex 3/8-16 x 1
8	715078	Nut - hex 1/4-20 flange lock	54	017871	Pulley - gear box drive
9	016790	Skid - auger housing	55	157941	Bolt - hex 5/16-18 x 7/8
10	313502	Bolt - carriage 5/16-18 x 1	56	311118	Washer - split lock 5/16
11	158469	Washer - flat 3/8	57	175141	Hub - drive coupler
12	150136	Nut - hex 5/16-18 keps	58	162644	Set screw 1/4-20 x 3/8
13	016857	Housing - impeller	59	162636	Key - woodruff #61
14	457044	Bolt - hex 1/4-20 x 1/2	60	615831	Bolt - hex 5/16-18 x 1-1/4
15	616375	Nut - hex 1/4-20 center lock	61	159194	Washer - flat
16	017012	Chute - discharge	62	137471	Pad - coupler
17	175950	Clip - chute retainer	63	137489	Bushing - pad
18	017020	Deflector - snow	64	016840	Arm - idler
19	312082	Bolt - hex 5/16-18 x 3/4	65	157461	Bolt - shoulder 1/2-13 x 2-1/4
20	616342	Nut - hex 5/16-18 center lock	66	137505	Pulley - idler
21	163311	Bolt - carriage 5/16-18 x 3/4	67	457234	Bolt - hex 3/8-16 x 1-5/8
22	672907	Knob - deflector retaining	68	162461	Spring - idler tension
23	175919	Crank - chute control, lower	69	159004	Bolt - hex 1/4-20 x 3/4
24	175943	Sprocket - control crank	70	615690	Washer - flat 1/4
25	715193	Pin-roll 3/16 x 1	71	137521	Gear case assembly - auger drive Includes items 72 thru 92
26	175885	Bracket - control crank	72	137604	Case - gear w/brg (74) and seal (75) LH
27	177048	Crank - chute control, upper	73	137638	Case - gear w/brg (74) and seal (75) RH
28	137133	Grip - crank handle	74	137620	Bearing - output shaft
29	175935	Block - crank connector	75	137539	Seal - oil
30	158972	Bolt - hex 1/4-20 x 1	76	137570	Gasket - gear case
31	016824	Support - upper crank (small bend)	77	615500	Plug - pipe 1/4
32	016923	Support - upper crank (large bend)	78	159228	Bolt - hex tap 5/16-18 x 3/4
33	380402	Bolt - hex 5/16-18 x 1-1/2	79	175455	Shaft - input 3/4 x 17
34	310045	Nut - hex 5/16-18	80	137596	Bearing - input shaft, rear
35	162180	U-bolt, upper crank	81	137588	Bearing - input shaft, front
36	715136	Washer - flat #10	82	530337	Seal - oil
37	162222	Nut - hex lock #10-32	83	162537	Washer - thrust
38	162206	Spring - U-bolt	84	137547	Bearing - thrust
39	016873	Auger assembly - LH	85	137562	Gear - worm
40	016865	Auger assembly - RH	86	158162	Washer - flat, special
41	615864	Bolt - hex 5/16-18 x 1-3/4	87	162503	Ring - retaining
--	137828	Shear bolt - package of 2-615864 and 2-616342	88	175463	Shaft - output (auger) 1 x 38-1/2
42	137687	Bearing - auger shaft	89	137554	Gear - drive, bronze
43	158998	Bolt - hex 5/16-18 x 3/4	90	162511	Key - hi pro #708
44	159236	Nut - hex 5/16-18 ctr lock	91	162545	Washer - thrust
45	162479	Washer - flat 1" 1D	92	615534	Key - Woodruff #9
--	016899	Impeller w/hub Includes 20, 43, 46 and 47	93	009209	Decal - chute crank operation
46	017855	Impeller assembly	94	677682	Decal - DANGER, auger house
			95	677690	Decal - DANGER, discharge chute
			-		Parts Bag 1
			-		Parts Bag 2
			-		Parts Bag 3

*Contact Tecumseh/Peerless authorized service dealer for parts and warranty.