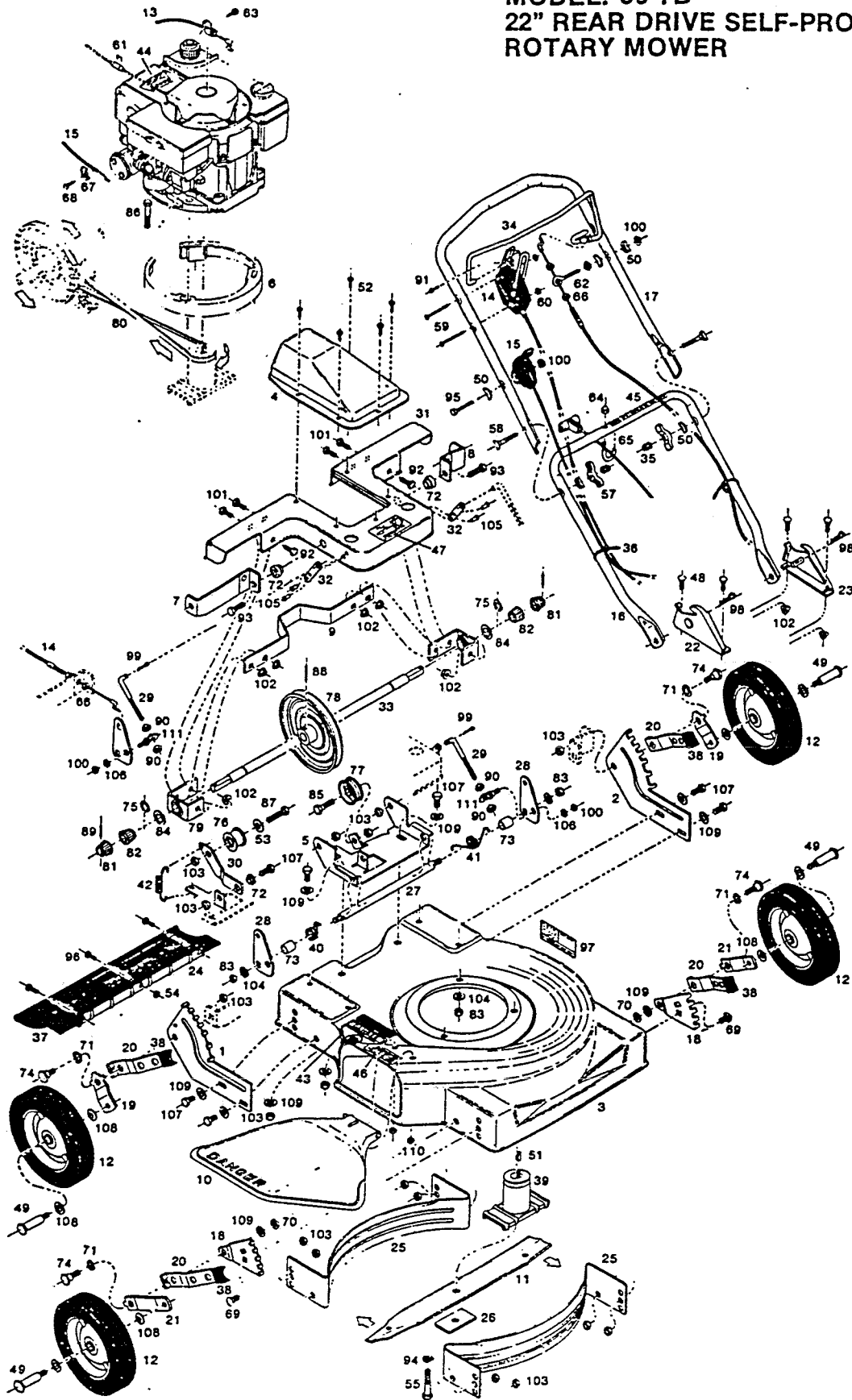


MODEL: 36B
20" REAR DRIVE SELF-PROPELLING
ROTARY MOWER
MODEL: 36-7B
22" REAR DRIVE SELF-PROPELLED
ROTARY MOWER



MODEL: 36B
20" REAR DRIVE SELF-PROPELLED
ROTARY MOWER
MODEL: 36-7B
22" REAR DRIVE SELF-PROPELLED
ROTARY MOWER
 Grass Catcher Model GC-12

INDEX NO.	PART NO.	DESCRIPTION	INDEX NO.	PART NO.	DESCRIPTION
1	027888	Back Plate - Height Adjuster RH Rear	56	151449	Washer - Wheel Retaining
2	027896	Back Plate - Height Adjuster LH Rear	57	151795	Wing Nut 5/16-18
3	028571	Deck 20" Rear SP Model 36B	58	151936	Bolt - Curved Head - 5/16-18 x 2-1/4
	028563	Deck 22" Rear SP Model 36-7B	59	151944	Screw - Oval Head Machine #10-24 x 2
4	027912	Pulley Cover	60	151985	Nut #10-24 Hex
5	027920	Mounting Bracket - Drive Cover	61	152066	Staple - Rope Stop
6	028100	Spacer - Engine	62	152140	Eyebolt - Cable Mounting
7	028217	Mounting Bracket - Cable RH	63	152157	Bolt - Hex Head #10-32 x 1/4
8	028225	Mounting Bracket - Cable LH	64	152207	Locknut 1/4-20 Acorn
9	028233	Bracket - Cover - Stiffener	65	152215	Rope Guide
10	028266	Chute Deflector Assembly*	66	152223	Nut 5/16-24 Hex Jam
11	030403	Blade 20" Offset Model 36B	67	152231	Cable Clamp
	030429	Blade 22" Offset Model 36-7B	68	152249	Bolt - Hex Washer Head #10-32 x 3/8
12	041020	Wheel 8 x 1.75 Soft Slick	69	152405	Bolt - Carriage 3/8-16 x 3/4
13	050344	Control - Engine/Blade*	70	152413	Washer - Plastic - Height Adjuster
14	050526	Control - Drive	71	152421	Washer - Spring - Height Adjuster
15	050617	Control - Throttle	72	152447	Bushing - Idler - Cover
16	071050	Handle - Lower	73	152546	Spacer - Linkage Shaft
17	071522	Handle - Upper 20" Model 36B	74	152587	Shoulder Bolt - Height Adjuster
	071530	Handle - Upper Coated 22" Model 36-7B	75	152710	Snap Ring - 5/8
18	090589	Back Plate - Height Adjuster	76	170456	Pulley - Idler
19	090605	Wheel Lever - Rear - Height Adjuster	77	170530	Pulley - Fixed
20	090613	Setting Lever - Height Adjuster	78	170712	Pulley - Shaft
21	090712	Wheel Lever - Front - Height Adjuster	79	170720	Bearing - Bronze
22	104661	Handle Bracket - Right Hand	80	170738	Belt - Drive - 20" Model 36B
23	104679	Handle Bracket - Left Hand		170746	Belt - Drive - 22" Model 36-7B
24	105767	Mounting Bracket - Trailing Shield*	81	170753	Drive Roller - Half - Slotted
25	105791	Baffle - Front/Rear*	82	170779	Drive Roller - Half
26	106005	Blade Washer - 3"	83	310151	Locknut 5/16-18 Nylock
27	106195	Shaft - Drive Linkage	84	311324	Washer - 5/8 Thrust
28	106229	End Plate - Drive Linkage	85	312272	Bolt - Hex Head 3/8-16 x 1-1/2
29	106252	Adjuster Rod	86	312306	Bolt - Hex Head 5/16-18 x 2-1/2
30	106286	Bracket - Idler	87	312322	Bolt - Hex Head 3/8-16 x 1-3/4
31	106294	Drive Cover	88	314070	Roll Pin 1/8 x 1-1/8
32	106302	Bracket - Cover Linkage	89	314112	Roll Rin 1/8 x 3/4
33	106310	Drive Shaft	90	452425	Nut 5/16-18 Hex
34	106658	Control - Engine/Blade Cross Bar*	91	456897	Bolt - Hex Head Self Tap #10-24 x 3/8
35	110064	Bolt Cap	92	457044	Bolt - Hex Head - 1/4-20 x 1/2
36	110379	Cable Tie	93	457178	Bolt - Hex Head - 3/8-16 x 1-1/4
37	111252	Trailing Shield - Plastic*	94	461475	Lockwasher - 3/8 Extra Duty
38	111260	Plastic Tip - Height Adjuster	95	525196	Bolt - Hex Head 1/4-20 x 1-3/4
39	133157	Pulley - Blade Adapter	96	525337	Bolt - Hex Head #10-24 x 1/2
40	133181	Spring - Torsion Right Hand	97	714170	Decal - Rating Plate
41	133199	Spring - Torsion Left Hand	98	715011	Hitch Pin #3
42	133223	Spring - Idler Return	99	715029	Cotter Pin 3/32 x 3/4
43	144063	Decal C.P.S.C. - Danger	100	715037	Locknut 1/4-20 Keps
44	144204	Decal - Blade Warning	101	715045	Bolt - Hex Head - 1/4-20 x 3/4
45	144899	Decal - Starting Instructions	102	715078	Locknut 1/4-20 Flanged Whiz
46	145425	Decal - Danger Install Chute Deflector	103	715086	Locknut 3/8-16 Top
47	145482	Decal - Belt Warning	104	715185	Washer 5/16 Flat
48	150011	Bolt - Carriage 1/4-20 x 5/8	105	715243	Pop Rivet 3/16 x 3/8
49	150060	Shoulder Bolt - Wheel	106	715300	Washer 1/4 Flat
50	150201	Washer - 5/16 Curved	107	715326	Bolt - Hex Head - 3/8-16 x 1
51	150276	Woodruff Key #6	108	715409	Washer - Spring - Wheel
52	150623	Screw - Hex Head Sheet Metal #10 x 5/8	109	715417	Washer 3/8 SAE
53	150771	Washer 7/8 x 13/32	110	715508	Locknut 1/4-20 Top
54	150946	Locknut #10-24 Hex Washer Head	111	728295	Pivot Stud
55	150987	Bolt - Blade - 3/8-24 x 2-1/4 Gr 5	112	106872	Footguard
			113	715490	Locknut 5/16-18

NOTE: PARTS ARE RIGHT OR LEFT HAND AS VIEWED FROM OPERATOR POSITION. APPROXIMATE CUTTING