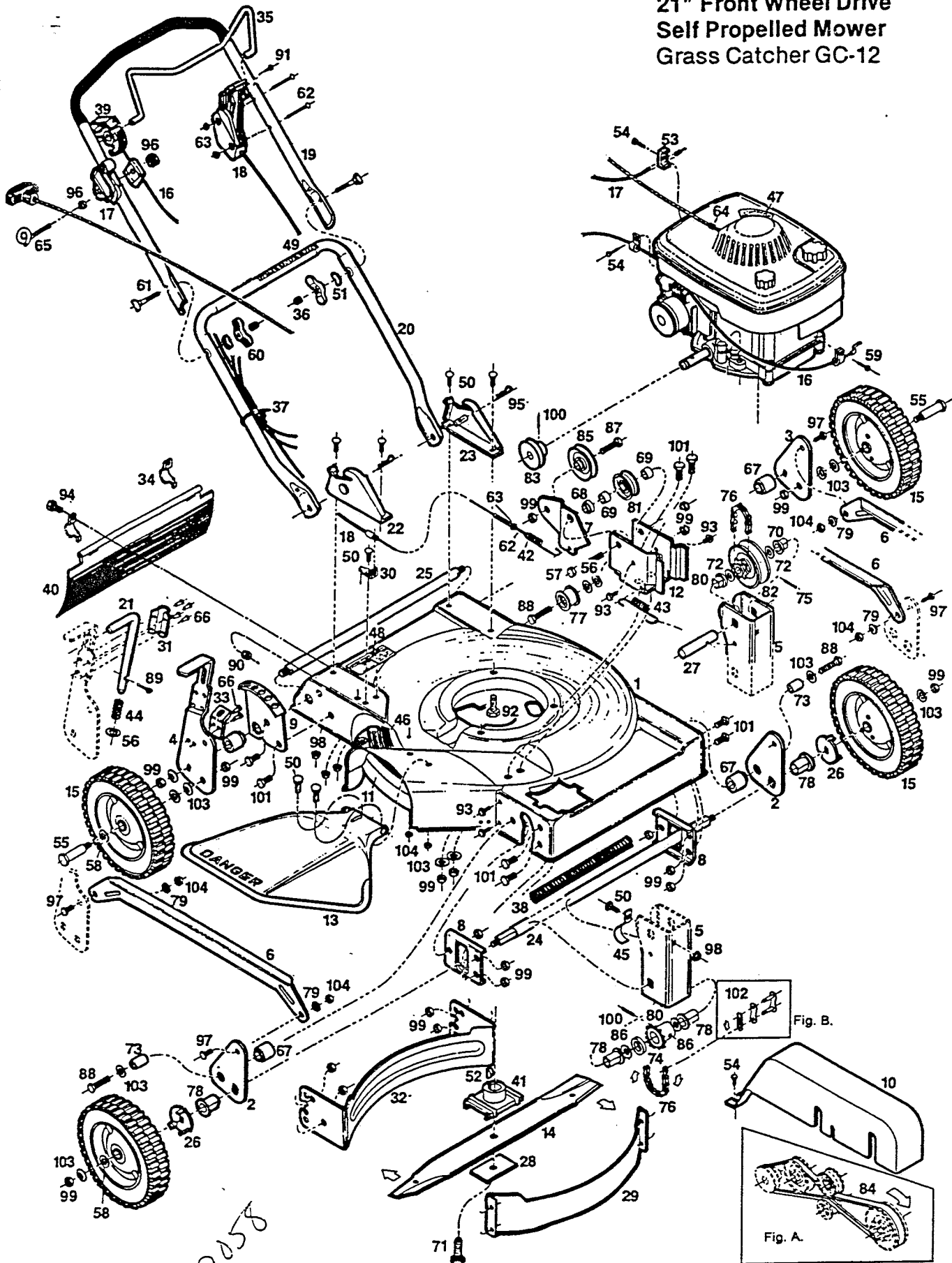


Model 35 E
 21" Front Wheel Drive
 Self Propelled Mower
 Grass Catcher GC-12



Model 35E
21" Front Wheel Drive SP-Rotary

PART LIST

IndexPart No. No.	Description	IndexPart No. No.	Description		
1	028969	Deck 21" Front Drive	53	150318	Cable Clamp
2	027730	Wheel Lever - Front	54	150623	Screw - Self Tap #10x $\frac{3}{8}$
3	027748	Wheel Lever - L.H. Rear	55	150730	Bolt - Wheel
4	027755	Setting Lever	56	150771	Washer - Flat 3/8
5	027763	Bracket - Drive Axle	57	151266	Bolt - Hex Head $\frac{3}{8}$ -16x3
6	027797	Tie Bar	58	151449	Washer - Wheel Retaining
7	027789	Bracket - Idler	59	151613	Bolt - Hex Head SEMS #10-32x $\frac{3}{8}$
8	027813	Deck Stiffener	60	151795	Nut - Wing 5/16-18
9	027821	Back Plate	61	151936	Bolt - Curved Head 5/16-18x2 $\frac{1}{4}$
10	027847	Drive Guard*	62	151944	Screw - Machine #10-24x2
11	028191	Blade Guard	63	151985	Nut - Hex #10-24
12	028845	Bracket - Deck	64	152074	Rope Stop
13	028886	Chute Deflector*	65	152629	Rope Guide
14	030338	Blade 21"	66	154070	Rivet 3/16 pop
15	041004	Wheel - 8"	67	152439	Spacer - Wheel Lever
16	051029	Control - Zone Start*	68	152447	Bushing - Idler Bracket
17	051250	Control - Throttle	69	152454	Spacer
18	050773	Control - Drive	70	152488	Bushing $\frac{1}{2}$ "
19	071175	Handle - Upper	71	150862	Bolt - Blade
20	071928	Handle - Lower	72	152553	Washer - Thrust $\frac{1}{2}$ "
21	090670	Setting Pin	73	152645	Spacer
22	104661	Handle Bracket - Right Hand	74	152702	Spacer - Sprocket
23	104679	Handle Bracket - Left Hand	75	151142	Rollpin $\frac{1}{8}$ x1"
24	105841	Drive Shaft	76	170076	Chain-#48-28 Links/w Master
25	105866	Rear Shaft	77	170456	Small Idler
26	105890	Drive Disc	78	170472	Bushing $\frac{3}{8}$ "
27	105908	Jack Shaft	79	170639	Spacer
28	106005	Blade Washer	80	170761	Sprocket Axle
29	106021	Baffle - Front	81	170530	Idler Pulley
30	106617	Cable Mtg. Bracket	82	170662	Sprocket/Pulley
31	106724	Pin Retg. Bracket	83	170670	Drive Pulley
32	106757	Baffle - Rear	84	170696	'V' Belt-3L 35.5
33	108985	Bracket Retaining	85	305367	Idler Pulley
34	106914	Clip - Trailing Shield	86	311324	Washer - Thrust $\frac{5}{8}$ "
35	109447	Control - Engine/Blade Crossbar*	87	312272	Screw - Hex Head $\frac{3}{8}$ -16x1 $\frac{1}{2}$
36	110064	Plastic Boltcap	88	312355	Screw - Hex Head $\frac{3}{8}$ -16x2
37	110379	Cable Tie	89	317016	Cotter Pin $\frac{1}{8}$ x1
38	111385	Shaft Cover	90	452318	Nut - #10-24 HX Nylon Insert
39	111526	Cable Actuator*	91	152181	Screw - Bail Retaining
40	111617	Trailing Shield*	92	457168	Bolt - $\frac{3}{8}$ -16x $\frac{1}{2}$ TDFM
41	126466	Blade Adapter	93	457499	Bolt - Self Tap $\frac{1}{4}$ -20x $\frac{1}{2}$
42	132951	Spring	94	458687	Bolt - Hex Head #10-24x $\frac{1}{2}$
43	133116	Spring	95	715011	Hitch Pin #3
44	133124	Spring	96	715037	Locknut - $\frac{1}{4}$ -20-Keps
45	133132	Chain Tensioner	97	715045	Screw - Hex Head $\frac{1}{4}$ -20x $\frac{3}{4}$
46	144063	Decal - C.P.S.C. Danger	98	715078	Locknut - $\frac{1}{4}$ -20 Flanged Whiz
47	001206	Decal - Blade Warning	99	715086	Locknut - $\frac{3}{8}$ -16 Top
48	714170	Decal - Model Number	100	715193	Rollpin 3/16x1
49	144899	Decal - Starting Instructions	101	715201	Bolt - Hex Head $\frac{3}{8}$ -16x $\frac{3}{4}$
50	150011	Bolt - Carriage $\frac{1}{4}$ -20x $\frac{3}{8}$	102	126607	Chain Master Link #48
51	150201	Curved Washer 5/16	103	715417	Washer - $\frac{3}{8}$ SAE
52	150276	Woodruff Key #6	104	715508	Locknut - $\frac{1}{4}$ -20 Top