

Bolens[®]

Parts Catalog

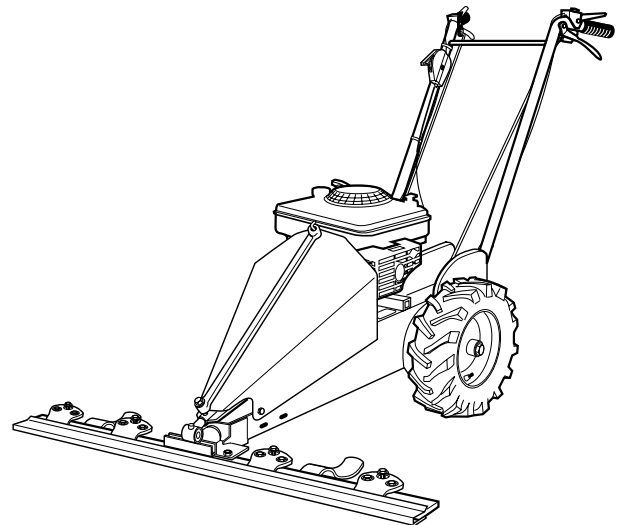
Sickle Bar Mower

Model

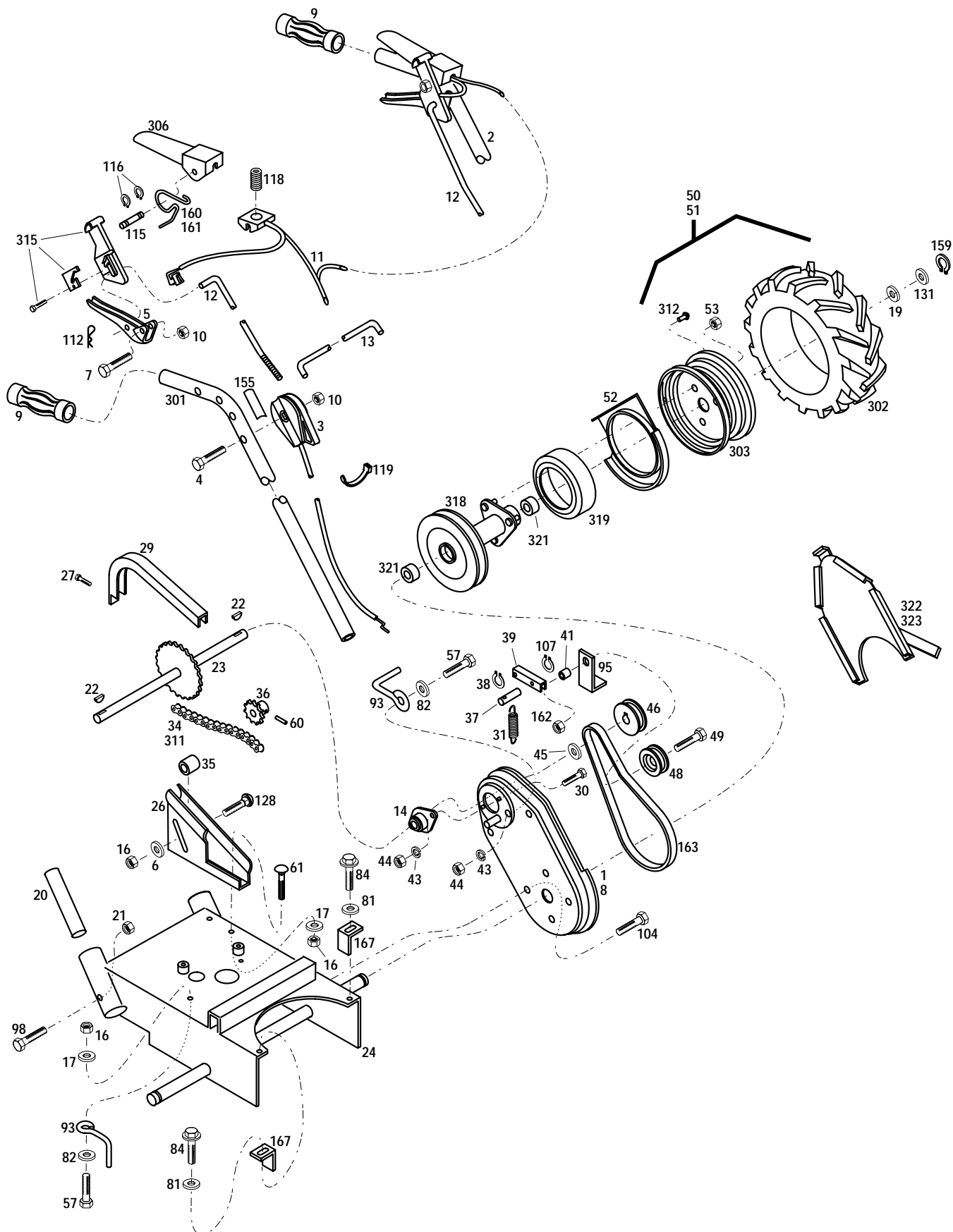
34369

Serial Numbers

343691500101 – 343691599999



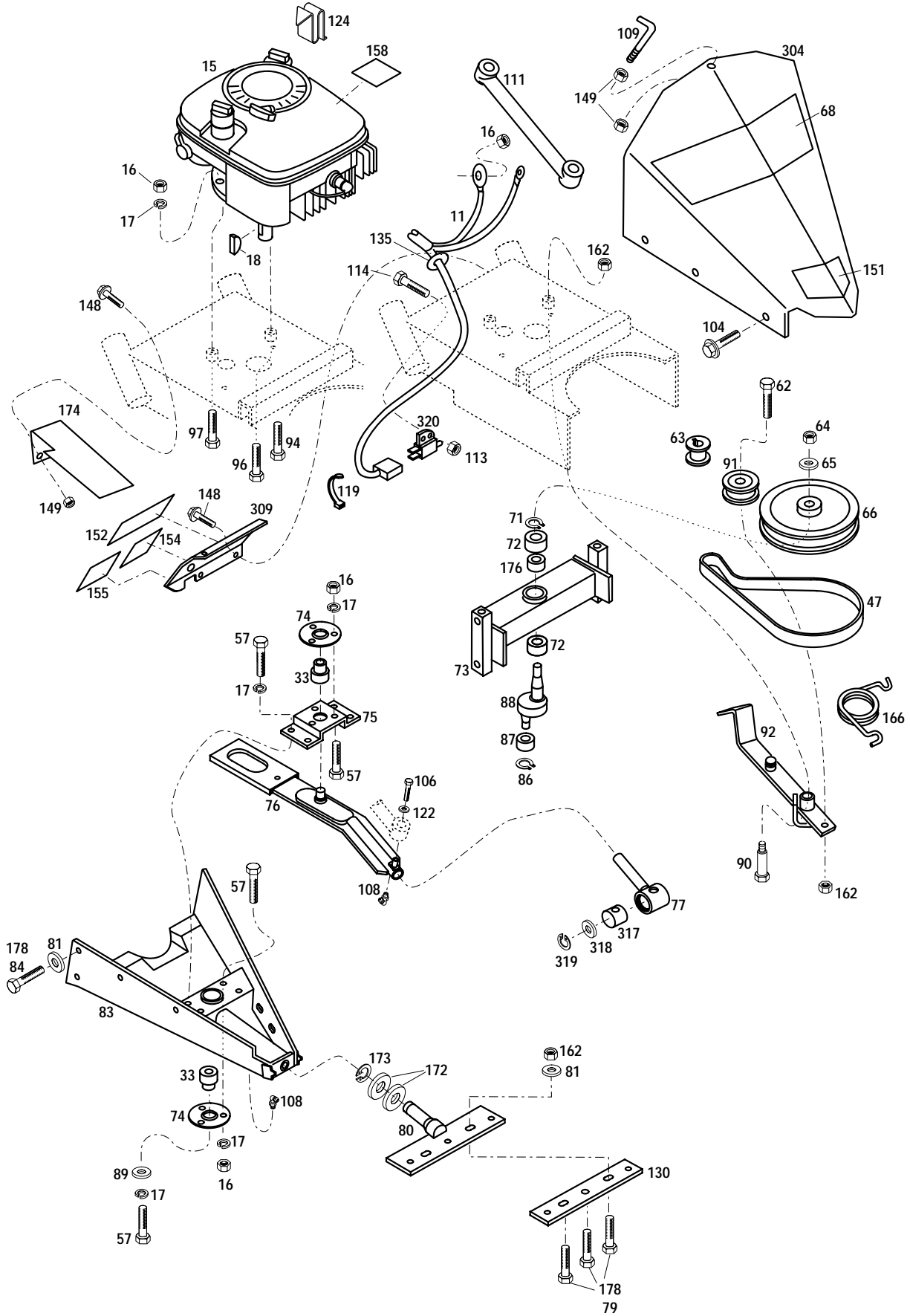
BOLENS® Sickle Bar Mower



Ref. #	Part #	Description	Qty.	Ref. #	Part #	Description	Qty.
1	1767711010	Left Wheel Drive Housing	1	52	1769972010	Belt Seal.....	2
2	1765981001	Left Handlebar	1	53	1764070	Top Locknut, 3/8-24	6
3	1767717	Throttle	1	57	1100044	Hex Head Capscrew, 5/16-18 x 3/4.....	3
4	1100807	Hex Head Capscrew, 1/4-20 x 2.....	1	60	1120210	Roll Pin, 3/16 x 1	1
5	1766603	Wheel Clutch Lever	2	61	1186469	Carriage Bolt, 5/16-18 x 3/4.....	2
6	1107382	Flat Washer, 5/16.....	1	81	1773272	Flat Washer (hardened), 5/16	2
7	1100811	Hex Head Capscrew, 1/4-20 x 1-1/2	4	82	1100255	Flat Washer, 5/16.....	5
8	1767712010	Right Wheel Drive Housing.....	1	84	1773423	Hex Head Capscrew, 3/8-16 x 3/4, Grade 8 .	2
9	9126	Handle Grip.....	2	93	1768516	Belt Guide	3
10	1110106	Center Locknut, 1/4-20	3	95	1764121001	Belt Guide	2
11	1768430	Operator Interlock Harness (Incl. Refs. 315 & 325, and 320 from page 5).....	1	98	1111607	Hex Head Capscrew, 5/16-18 x 2-1/4, Grade 5	2
12	1768426	Wheel Clutch Rod	2	104	1740496	Self-Tapping Screw, 5/16-18 x 5/8	6
13	1766608	Handlebar Bridge	1	107	1185219	Retaining Ring, 1/2	2
14	1767552	Flange Bearing	2	112	1717897	Hair Pin.....	2
16	1186230	Hex Nut, 5/16-18	4	115	1765993	Pivot Pin, 1/4	2
17	1110645	Lockwasher, 5/16	4	116	1766992	Crescent Ring	4
19	1107387	Flat Washer, 3/4	2	118	1765923	Compression Spring	2
20	1766611	Shock Absorber	2	119	1735531	Cable Tie	6
21	1732499	Top Locknut, 5/16-18	2	128	1186102	Carriage Bolt, 5/16-18 x 1-1/4	1
22	1104436	Woodruff Key, #9, 3/16 x 3/4.....	3	131	1701447	Shim Washer	2
23	1767545	Counter Shaft.....	1	155	1904304	Decal, Throttle.....	1
24	1773216010	Engine Deck	1	159	1185388	Retaining Ring	2
26	1766890010	Chain Idler Bracket.....	1	160	1767128	Left Control Return Spring.....	1
27	1186009	Hex Head Screw, #10-24 x 1/2	1	161	1767129	Right Control Return Spring	1
29	1766622010	Chain Cover	1	162	1110108	Center Locknut, 3/8-16	2
30	1766623	Carriage Bolt, 1/4-20 x 1/2.....	4	163	1766808	V-Belt	2
31	1766624	Wheel Clutch Spring	2	167	1773460	Belt Guide	2
34	1766627	Chain (Incl. Ref. 311).....	1	301	1767159	Right Handlebar Assembly (Incl. Ref. 155).....	1
35	1766628	Chain Idler	1	302	1767718	Tire, 13 x 5 x 6, Traction Lug.....	2
36	1766629	Sprocket, 12T	1	303	1770455	Wheel Rim Assembly	2
37	1766630	Idler Arm Pivot.....	2	306	1767160	Operator Presence Control Lever Assembly (Incl. Ref. 117).....	2
38	1185257	Snap Ring, 3/8, "E" Type	2	311	1730343	Chain Connector Link.....	2
39	1766631	Wheel Clutch Idler Arm.....	2	312	1718086	Valve Stem.....	2
41	1766714	Wheel Idler Spacer.....	2	315	1768429	Thumb Latch Assembly	2
43	1100241	Lockwasher, 1/4	4	318	1770461	Drive Hub/Pulley (Incl. Ref. 321)	2
44	1186229	Hex Nut, 1/4-20	4	319	1770466	Spacer Tube.....	2
45	1769982	Spacer.....	2	321	1766810	Bearing	4
46	1766636	Counter Shaft Pulley	2	322	1770490	Right Belt Cover Assembly.....	1
48	1710566	Idler Pulley.....	2	323	1770495	Left Belt Cover Assembly.....	1
49	1100049	Hex Head Capscrew, 3/8-16 x 2-1/4	2	325	1767256	Cable Tie.....	3
50	1773411	Left Wheel Assembly (Incl. Refs. 302, 303 & 312).....	1				
51	1773410	Right Wheel Assembly (Incl. Refs. 302, 303 & 312).....	1				

N/I Not included with unit, order separately.

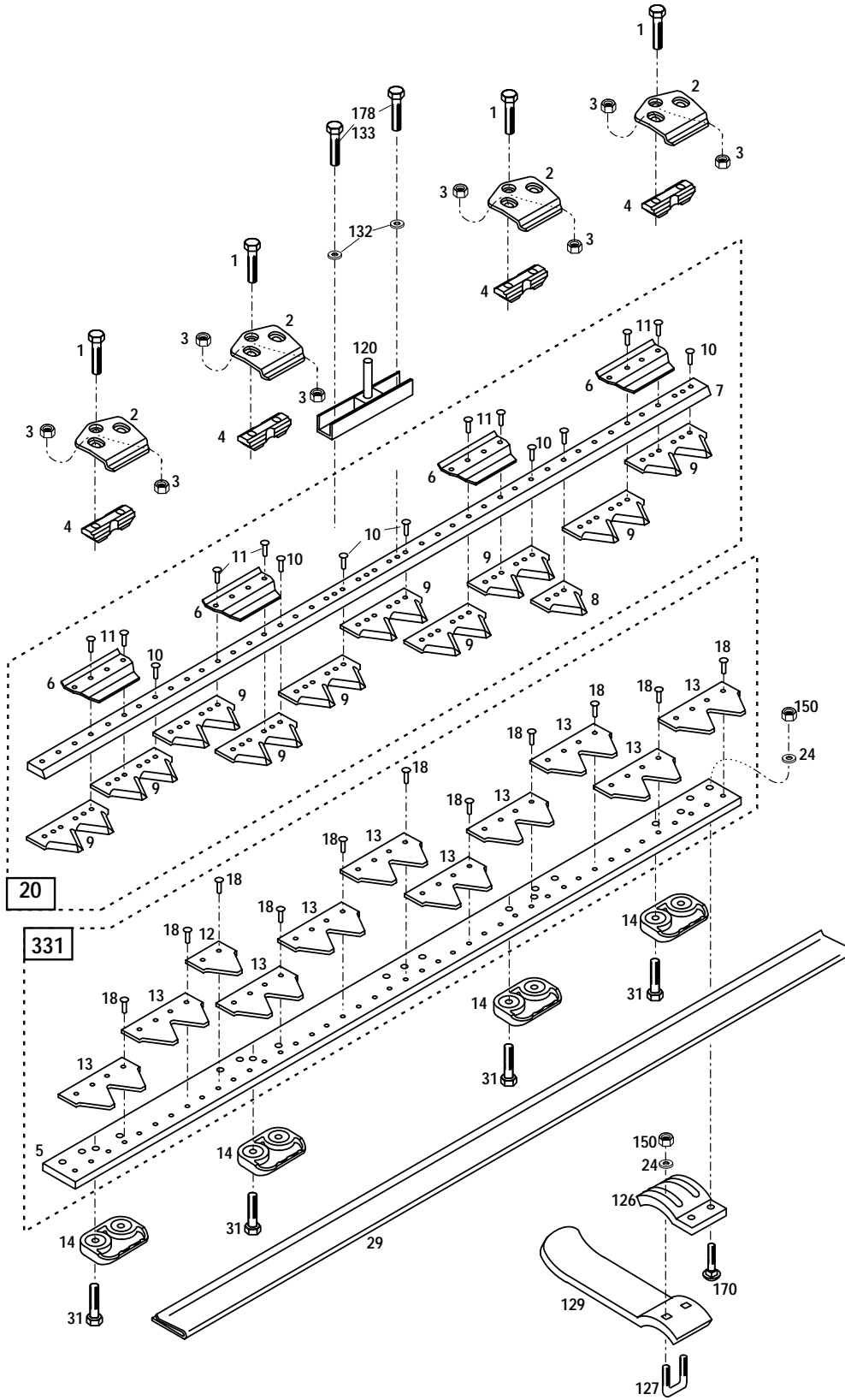
BOLENS® Sickle Bar Mower



Ref #	Part #	Description	Qty.	Ref #	Part #	Description	Qty.
11	1768430	Operator Interlock Harness (Incl. Ref. No. 320, and 315 & 325 from page 3).....	1	96	1111613	Hex Head Capscrew, 5/16-18 x 4, Grade 5...	1
15	*	Engine.....	1	97	1111611	Hex Head Capscrew, 5/16-18 x 3-1/2	1
16	1186230	Hex Nut, 5/16-18	10	104	1740496	Self-Tapping Screw, 5/16-18 x 5/8	6
17	1110645	Lockwasher, 5/16	15	106	1100806	Hex Head Capscrew, 1/4-20 x 1-1/4	1
18	1100275	Woodruff Key, #6, 5/32 x 5/8.....	1	108	1767609	Grease Fitting, 1/4-28 x 90°	2
33	1766626	Bearing Insert	2	109	1766704	Upper Hook, 1/4-20	1
47	1767142	V-Belt.....	1	111	1766805	Bungi Strap, 14-1/2"	1
57	1100044	Hex Head Capscrew, 5/16-18 x 3/4.....	13	113	1185985	Hex Nut, #10-24.....	2
62	1100047	Hex Head Capscrew, 3/8-16 x 1-1/2	1	114	1758070	Truss Hd. Screw, #10-24 x 5/8	2
63	1766650	Engine Pulley	1	119	1735531	Cable Tie	2
64	1186216	Hex Nut, 5/8-18	1	122	1100254	Flat Washer, 1/4.....	1
65	1107386	Flat Washer, 5/8.....	1	124	1766558	Engine Cable Clip	1
66	1766651	Eccentric Pulley	1	130	1767687001	Doubler Bracket	1
68	1918314	Decal, Logo.....	1	135	1766947	Grommet.....	2
71	1185102	Retaining Ring	1	148	1724492	Self-Tapping Fl. Screw, 1/4-20 x 1/2.....	3
72	1766657	Ball Bearing.....	2	149	1186389	Flange Lock Nut, 1/4-20.....	3
73	1773137001	Housing Assembly	1	151	1739687	Decal, Danger	1
74	1766664	Bearing Retainer	2	152	1917178	Decal, Warning	1
75	1766665	Upper Pivot Bearing Support	1	154	1916421	Decal, Pinch Point.....	1
76	1773565	Eccentric Arm Assembly.....	1	155	1916420	Decal, Read Manual	1
77	1773412	Pitman Arm Assembly	1	158	1916419	Decal, Hot Surface	1
79	1773452	Hex Head Capscrew, 3/8-16 x 1-1/4, Grade 8	3	162	1110108	Center Lock Nut, 3/8-16.....	5
80	1772711001	Attachment Mounting Bracket Assembly	1	166	1705792	Torsion Spring.....	1
81	1773272	Flat Washer (hardened), 5/16	8	172	1773451	Flat Washer	1
83	1773218010	Front Housing Assembly.....	1	173	1118813	Retaining Ring	1
84	1773423	Hex Head Capscrew, 3/8-16 x 3/4, Grade 8 .	6	174	1773528001	Switch Cover.....	1
86	1118809	Retaining Ring	1	176	1773530	Spacer.....	1
87	1766795	Eccentric Bearing.....	1	178	1757032	Loctite® Thread Compound	1
88	1766895	Eccentric Shaft.....	1	304	1766652010	Fender.....	1
89	1729245	Flat Washer, 5/16.....	1	309	1767155	Keyswitch Plate (Incl. Ref. 152)	1
90	1736221	Shoulder Screw	1	317	1772940	Pitman Bearing	1
91	1713803	Idler Pulley.....	1	318	1715301	Thrust Washer	1
92	1767715001	Knife Clutch Arm.....	1	319	1767593	Retaining Ring	1
94	1111610	Hex Head Capscrew, 5/16-18 x 3.....	1	320	1751340	Switch.....	1

* Purchase engine parts from your local authorized engine Dealer. Refer to engine for type and code.
A/R As Required.

BOLENS® Sickle Bar Mower



* Items not Included in Cutter Bar Assemblies 1765990, 1766743 & 1766744

Cutter Bar Assembly
38" (1766743)

MODEL 34369

**Note: Other Cutter Bar Lengths
available include:**

34" (1765990)

42" (1766744)

Ref #	Part #	Description	Qty.	Ref #	Part #	Description	Qty.
1	1860218	Hex Head Screw, M8 x 30.....	4	24	1107382	Flat Washer, 5/16.....	4
2	1766746	Hold-Down Clip	4	29	1766777	Blade Guard, 34"	1
3	1766747	Lock Nut, M8	12		1766934	Blade Guard, 38"	1
4	1766748	Knife Guide	4		1766935	Blade Guard, 42"	1
5	1765991	34" Ledger Plate Bar	1	31	1766768	Hex Head Screw, M8 x 45.....	8
	1766753	38" Ledger Plate Bar	1	120	1773057	Knife Head Bracket	1
	1766754	42" Ledger Plate Bar	1	126	1766770001	Shoe Holder.....	2
6	1766755	Wear Plate	4	127	1767071	U-Bolt	2
7	1766929	34" Blade Knife Bar	1	129	1766773001	Shoe	2
	1766756	38" Blade Knife Bar	1	132	1773271	Flat Washer (hardened), 5/16	2
	1766757	42" Blade Knife Bar	1	133	1773424	Hex Head Capscrew, M8 x 12	2
8	1766758	Blade (single).....	1	150	1110107	Center Locknut, 5/16-18	8
9	1767069	Blade (double) 34"	8	170	1186100	Carriage Bolt, 5/16-18 x 1, Gr. 5	4
	1767069	Blade (double) 38"	9	178	1757032	Loctite® Thread Compound	A/R
	1767069	Blade (double) 42"	10	331	1770597	34" Ledger Plate Assembly	1
10	1768294	Rivet Kit, 5 x 17 (bag of 12).....	A/R		1770598	38" Ledger Plate Assembly	1
11	1768295	Rivet Kit, 5 x 20 (bag of 12).....	A/R		1770599	42" Ledger Plate Assembly	1
12	1766764	Ledger Plate (single).....	A/R				
13	1766765	Ledger Plate (double)	A/R				
14	1766767	Runner.....	4				
18	1768296	Ledger Rivet, 6 x 20 (bag of 12)	A/R				
20	1765992	34" Blade Assembly (Incl. Refs. 6, 7, 8, 9, 10 & 11)	1				
	1766762	38" Blade Assembly (Incl. Refs. 6, 7, 8, 9, 10 & 11)	1				
	1766763	42" Blade Assembly (Incl. Refs. 6, 7, 8, 9, 10 & 11)	1				

N/I Not included with unit, order separately.

A/R As Required.

Parts Ordering Information

If you need service or parts:

For service assistance or parts, contact your local authorized dealer.

Your local dealer or service department will need to know the identification numbers of your unit to provide the most efficient service. See below for how to record the identification numbers.

If you need engine service or parts:

For engine service or parts, contact your local authorized engine dealer. Look in the yellow pages of the phone book under "Engines-Gasoline" for the name of your nearest authorized engine dealer. An authorized engine dealer can handle all parts, repairs, and warranty service concerning the engine.

Note:

All genuine replacement parts must conform to our rigid quality specifications. Although some replacement parts we provide may vary slightly in shape, color or texture from the original parts, any variations will not affect the fit or performance of these parts on your unit.

When ordering parts for your unit, provide the following:

1. Serial number and model number of the unit.
2. Part number of part needed.
3. Part description.
4. Quantity needed.

WARNING

WE URGE USING ONLY GENUINE REPLACEMENT PARTS, WHICH MEET ALL THE LATEST REQUIREMENTS. REPLACEMENT PARTS MANUFACTURED BY OTHERS COULD PRESENT SAFETY HAZARDS, EVEN THOUGH THEY MAY FIT ON THIS UNIT!

IMPORTANT:

Left and right sides of the unit are determined by standing behind the unit, in the operator's position, and facing the direction of forward travel.

NOTICE:

We reserve the right to change specifications, add improvements or discontinue the manufacture of any of our equipment without notice or obligation to purchasers of our equipment.

Identification Numbers

Record the Model and Serial Numbers.

When ordering any parts from us or the local servicing dealer, provide the information on the model/serial number decal. For your convenience and ready reference, record this information in the spaces provided below.

Model Number: _____

Serial Number: _____

Date of Delivery: _____

For customer assistance, contact your nearest authorized dealer or:

GARDEN WAY INCORPORATED • 1 Garden Way • Troy, New York 12180
Customer Service: 1-800-437-8686 • Technical Service: 1-800-520-5520 • Parts Service: 1-800-648-6776
• FAX: (518) 233-4622

Outside the United States and Canada:

Customer Service: (518) 233-4807 • Technical Service: (518) 233-4808 • Parts Service: (518) 233-4806 • FAX (518) 233-4622