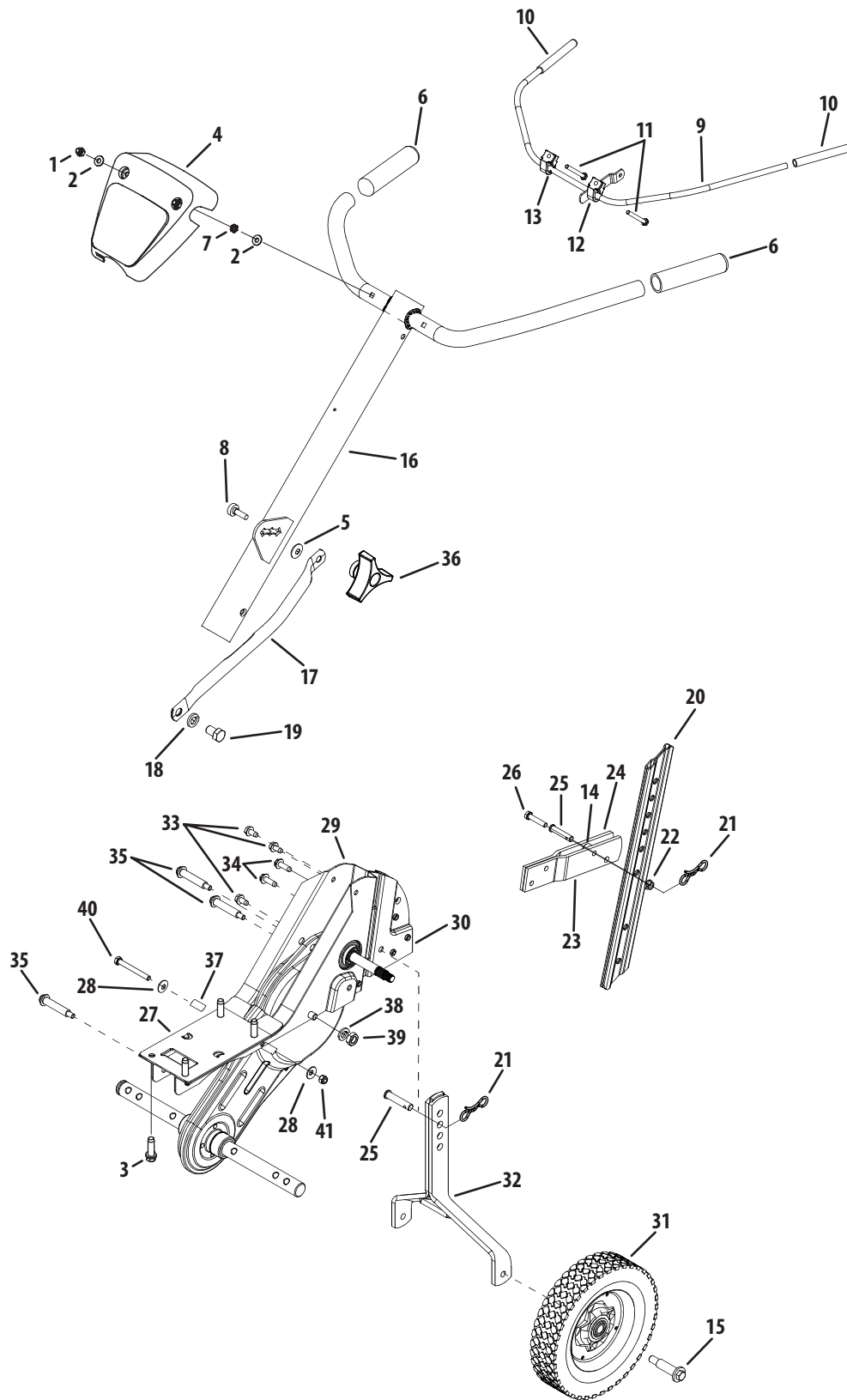


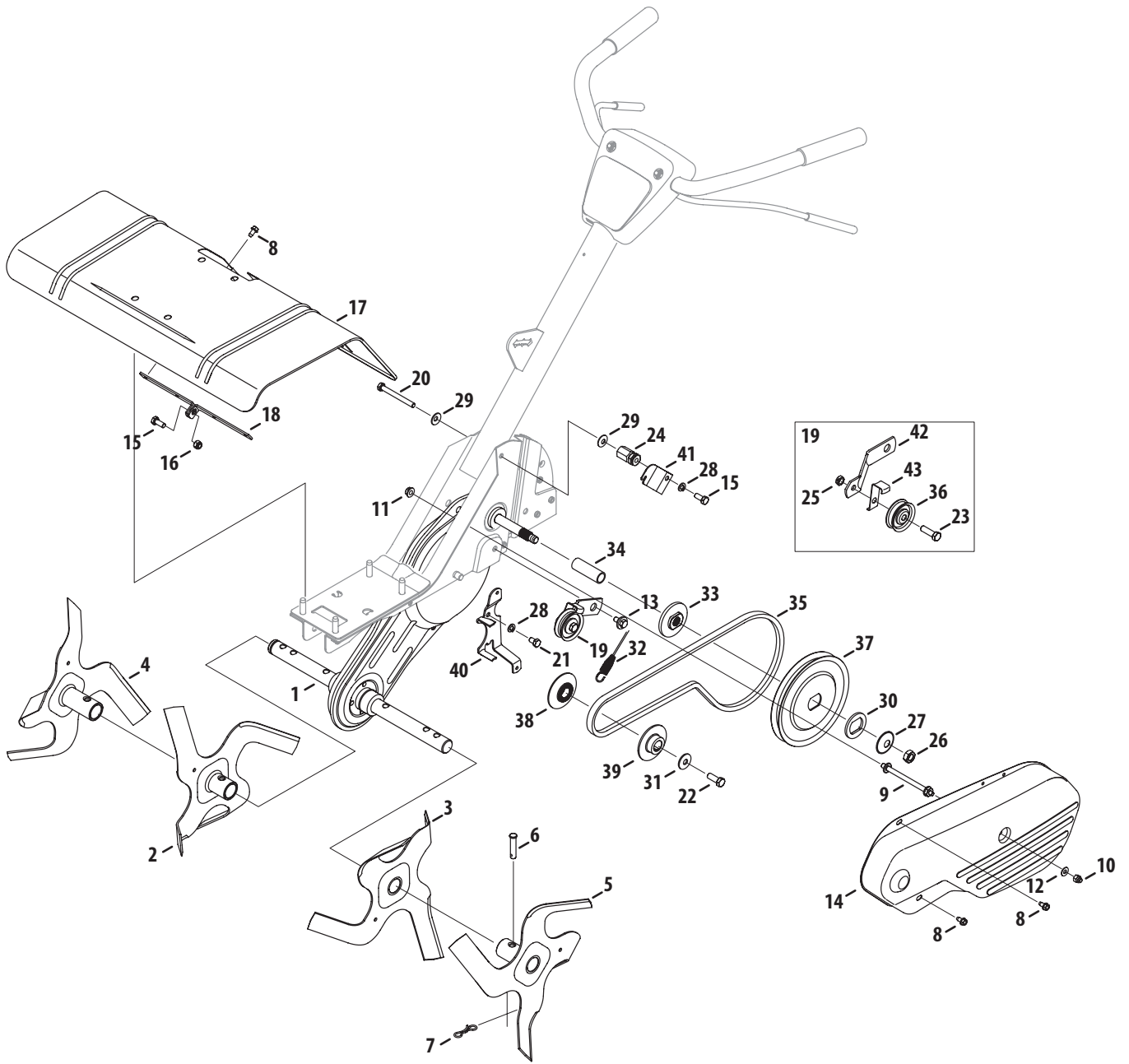
Model Series 340



Ref.	Part Number	Description
1.	912-0442	Acorn Lock Nut, 1/4-20
2.	936-3020	Flat Washer, .271" x.630"
3.	710-0502A	Screw, 3/8-16 x 1.250
4.	731-06253A	Handle Cover
5.	736-0242	Bell Washer, .34"
6.	720-0274	Handle Grip
7.	912-0298	Jam Nut, 1/4-20
8.	710-1236	Carriage Bolt, 5/16-18 x 1
9.	686-0083	Clutch Handle Assembly
10.	720-0269	Clutch Grip
11.	710-0641	Hex Bolt, 1/4-20 x 2.25"
12.	931-1645B	Clutch Handle Holder
13.	936-0140	Flat Washer, .385" x .62"
14.	750-0890	Spacer
15.	738-0929	Shoulder Screw, .496 x 1.445
16.	649-04040	Handle Assembly Complete
17.	749-1401A	Handle Brace
18.	936-0921	Lock Washer, 1/2
19.	710-3194	Hex Bolt, 1/2-20
20.	786-0005	Depth Bar
21.	714-04043	Cotter Pin, Bow Tie

Ref.	Part Number	Description
22.	712-04063	Hex Flange L-Nut, 5/16-18
23.	786-0003	Tail Piece Bracket, Left
24.	786-0004	Tail Piece Bracket, Right
25.	911-0415	Clevis Pin
26.	710-0805	Hex Bolt, 5/16-18 x 1.5"
27.	786-0145A	Engine Plate
28.	736-0242	Bell Washer, .340" x .872"
29.	786-0138A	Frame, RH
30.	786-0139A	Frame, LH
31.	734-04538	Wheel, 8 x 1.75
32.	686-0081A	Wheel Hanger Bracket Assembly
33.	710-0604A	Hex Washer Screw, 5/16-18 x .62"
34.	710-0602	Hex Washer TT-Tap Screw
35.	738-0934	Shoulder Bolt, 5/16-18
36.	720-0195	Hand Knob
37.	750-0470	Spacer
38.	936-0171	Lock Washer, 7/16
39.	912-0240	Jam Nut, 7/16-20
40.	710-0176	Hex Bolt, 5/16-18 x 2.75"
41.	912-0429	Nylon Hex Nut, 5/16-18

Model Series 340



Ref.	Part Number	Description
1.	986-0091	Chain Case Assembly
2.	642-04104	Inner Tine Assembly, RH
3.	642-04103	Inner Tine Assembly, LH
4.	642-04106	Outer Tine Assembly, RH
5.	642-04105	Outer Tine Assembly, LH
6.	911-0415	Clevis Pin, .375 x 1.75
7.	714-04043	Bow Tie Cotter Pin
8.	710-0599	Screw, 1/4-20 x 0.500
9.	711-0919	Bolt, Belt Cover
10.	712-0392	Nut, 1/4-28, Lock
11.	712-3004A	Nut, 5/16-18, Flange Lock
12.	936-3020	Flat Washer, .271 x .630 x .065
13.	738-0930	Shoulder Screw, .560 x .165 5/16-18
14.	786-0056	Belt Cover
15.	710-3008	Hex Head Screw, 5/16-18 x .75
16.	712-04063	Nut, 5/16-18, Flange Lock
17.	786-0043A	Tine Shield
18.	786-0053	Bracket, Tine Shield
19.	686-0088	Idler Bracket Assembly
20.	710-0189	Hex Head Screw, 5/16-18 x 3.00
21.	710-0237	Hex Head Screw, 5/16-24 x .625
22.	710-1039	Hex Head Screw, 3/8-24 x 1.00

Ref.	Part Number	Description
23.	710-3005	Hex Head Screw, 3/8-16 x 1.25
24.	711-1036A	Hex Nut, 5/16-18
25.	712-0266A	Jamlock Nut, 3/8-16
26.	712-3029	Nut, 1/2-20, Jam
27.	736-0112	Washer, .531 x 1.62 x .045
28.	936-0119	Lock Washer, 5/16
29.	736-0242	Bell Washer, .340 x .872 x .060
30.	736-0312	Flat Washer, 1.26 x 1.87 x .150
31.	936-0452	Bell Washer, .396 x 1.140 x .095
32.	946-0918	Forward Clutch Cable
33.	948-0350	Pulley Adaptor
34.	950-0892	Spacer, .64 ID x 2.4
35.	954-0428	Belt, 4L x 41.9 LG
36.	756-0313	Pulley 1.88 OD
37.	756-0585	Pulley 6.00 OD
38.	756-0971	Inner Engine Pulley
39.	756-0972	Outer Engine Pulley
40.	786-0039B	Belt Keeper Bracket
41.	786-0129	Cable Guide Bracket
42.	786-0144	Idler Bracket
43.	786-0149	Belt Keeper