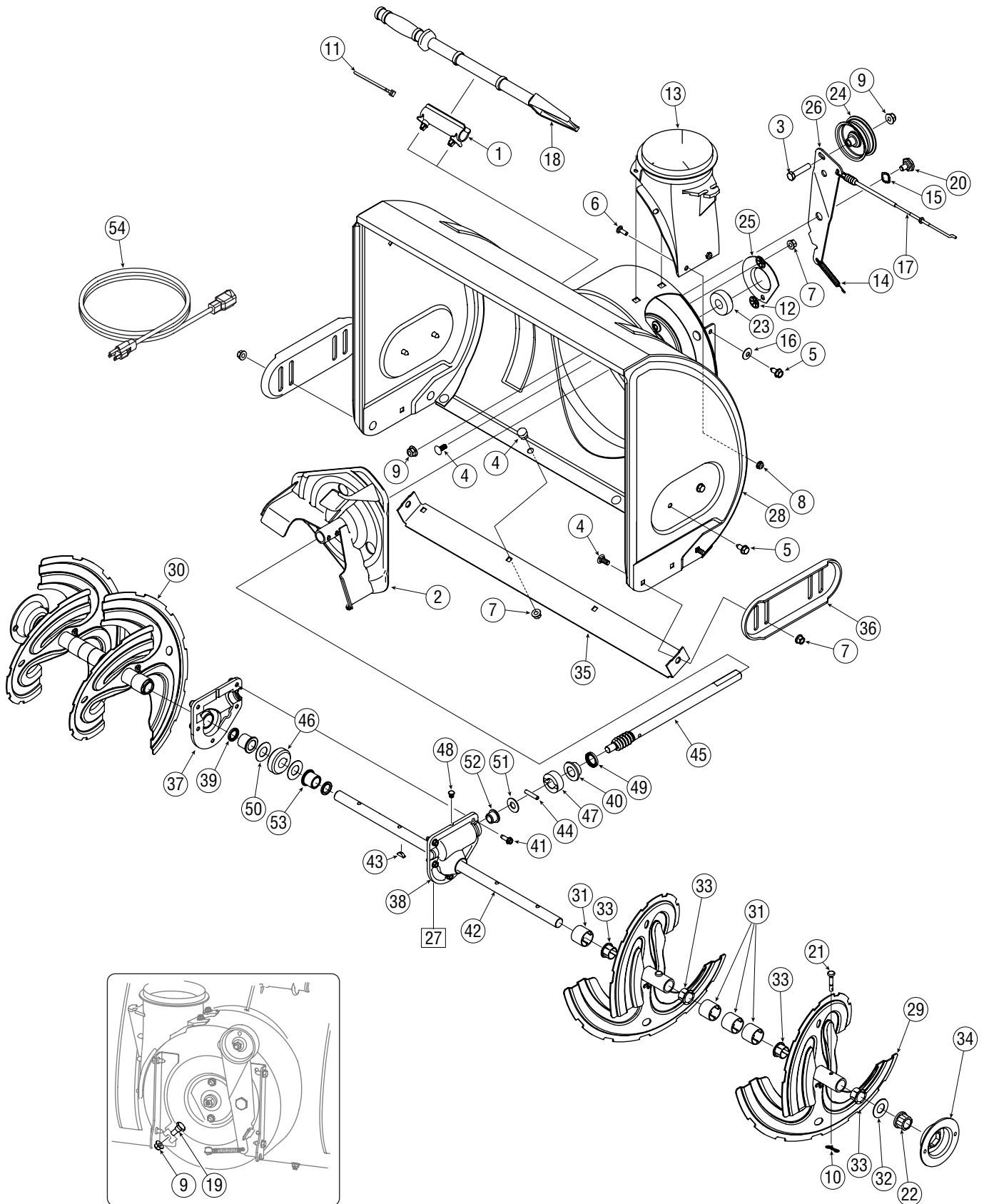


PARTS LIST

Craftsman Snow Thrower Model 247.881900



PARTS LIST

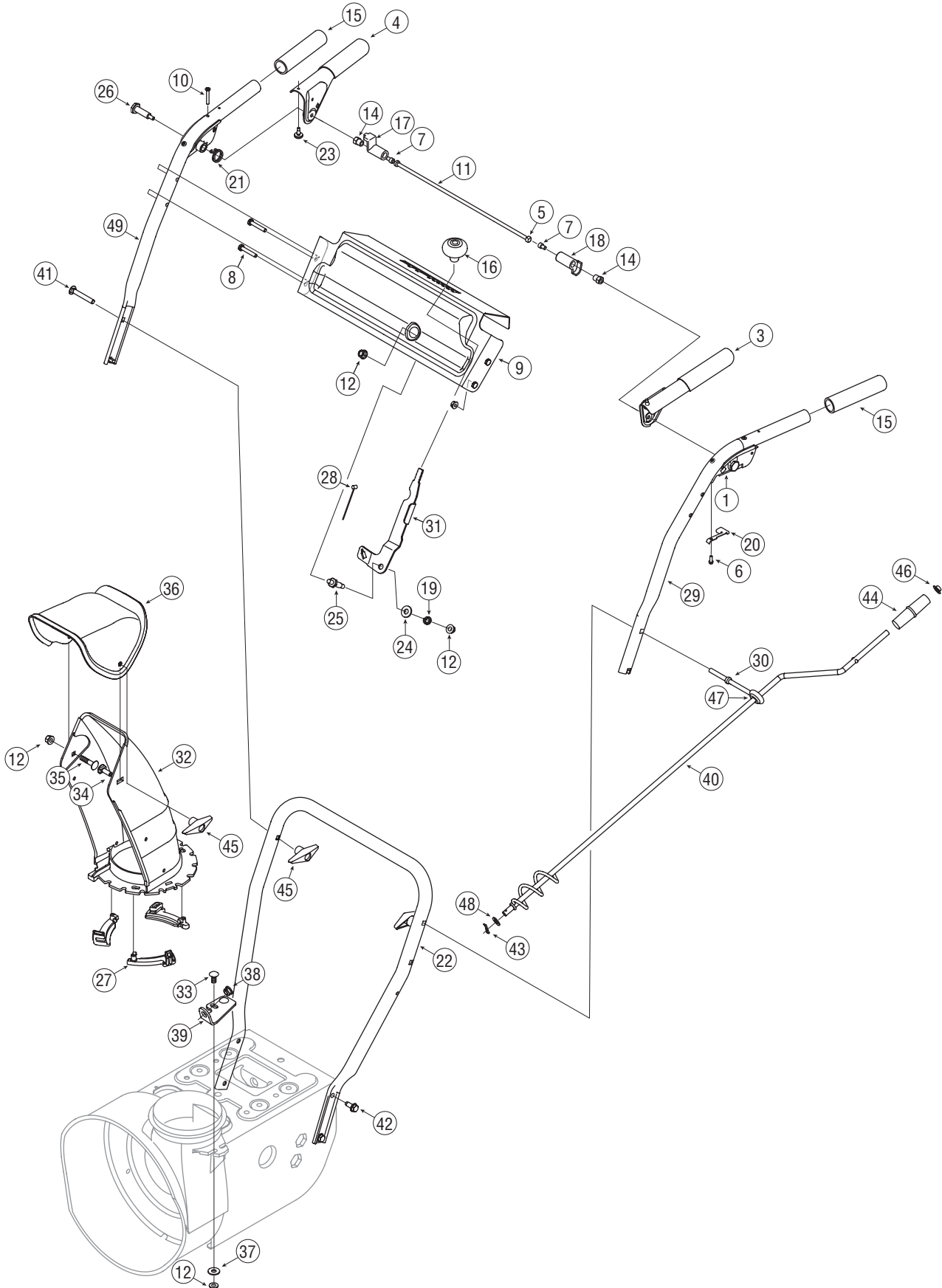
Craftsman Snow Thrower Model 247.881900

| Ref. No. | Part No. | Description |
|----------|------------|-------------------------------------|
| 1. | 731-2635 | Snow Removal Tool Mount |
| 2. | 684-04057A | Impeller Assembly, 12" Dia. |
| 3. | 710-0347 | Hex Screw, 3/8-16, 1.75, Gr5 |
| 4. | 710-0451 | Bolt, Carriage, 5/16-18, .750 Gr1 |
| 5. | 710-04484 | Screw, 5/16-18, 0.750 |
| 6. | 710-0703 | Screw, Carriage, 1/4-20, .750, Gr5 |
| 7. | 712-04063 | Nut, Flange Lock, 5/16-18, Nylon |
| 8. | 712-04064 | Nut, Flange Lock, 1/4-20, Nylon |
| 9. | 712-04065 | Nut, Flange Lock, 3/8-16, Nylon |
| 10. | 714-04040 | Cotter Pin, Bow-tie |
| 11. | 725-0157 | Cable, Tie, 3/16 x .05 x 7.4 |
| 12. | 726-04012 | Nut, Push-on, .25 Dia |
| 13. | 731-04705 | Chute, Adapter 5" Dia |
| 14. | 732-04460 | Spring, Extension, .38 OD x 4.59 |
| 15. | 736-0174 | Washer, Wave, .625 x .885 x .015 |
| 16. | 736-0242 | Washer, Bell, .340 x .872 x .060 |
| 17. | 746-04230 | Clutch Cable, Auger, 47.23" |
| 18. | 731-2643 | Snow Removal Tool |
| 19. | 738-0143 | Screw, Shoulder, .498 x .34, 3/8-16 |
| 20. | 738-0281 | Screw, Shoulder, .625 x .17, 3/8-16 |
| 21. | 738-04124A | Shear Pin, .25 x 1.50 |
| 22. | 741-0245 | Bearing, Hex Flange x .75 ID |
| 23. | 741-0309 | Bearing, Ball, .75 ID x 1.85 OD |
| 24. | 756-0981B | Flat Pulley, Idler, 2.75 OD |
| 25. | 790-00075 | Housing, Bearing, 1.85 ID |
| 26. | 790-00080A | Bracket, Auger Idler w/ Brake |
| 27. | 618-04173A | Gearbox Assembly, Auger, 28" |

| Ref. No. | Part No. | Description |
|----------|------------|------------------------------------|
| 28. | 684-04268 | Housing Assembly, Auger 28" |
| 29. | 684-04107 | Spiral Assembly, LH |
| 30. | 684-04108 | Spiral Assembly, RH |
| 31. | 731-04870 | Spacer, 1.25 OD x .75 ID x 1.00 |
| 32. | 736-0188 | Washer, Flat, .76 x 1.49 x .06 |
| 33. | 741-0493A | Bushing, Flange, .80 ID x .91 OD |
| 34. | 790-00087A | Housing, 1" Hex Bearing |
| 35. | 790-00118 | Shave Plate, 2.25 x 27.66 |
| 36. | 790-00091 | Slide Shoe |
| 37. | 618-0123A | Housing, Auger, RH Reduced |
| 38. | 618-0124A | Housing, Auger, LH Reduced |
| 39. | 721-0338 | Seal, Oil, .750 x 1.00 x .125 |
| 40. | 741-0662 | Bearing, Flange, .75 x 1.0 x .59 |
| 41. | 710-0642 | Screw, Self-tapping, 1/4-20, 0.750 |
| 42. | 711-04283 | Axle, Auger, 28" |
| 43. | 714-0161 | Key, Hi-pro 3/16 x 5/8 |
| 44. | 715-04021 | Pin, Dowel, .25 OD x 1.2 |
| 45. | 717-04126 | Shaft, Worm .75 OD |
| 46. | 717-0528A | Gear, Worm 20T |
| 47. | 718-04071 | Collar, Thrust |
| 48. | 721-0325 | Plug, 1/4 x .437 |
| 49. | 721-0327 | Seal, Oil, .75 x 1 x .131 |
| 50. | 736-0351 | Washer, Flat, .760 ID x 1.5 OD |
| 51. | 736-3084 | Washer, Flat, .51 x 1.12 |
| 52. | 741-0663 | Bearing, Flange, .75 x 1.0 x .925 |
| 53. | 741-0661A | Bearing, Flange, .75 x 1.00 x .975 |
| 54. | 629-0071 | Extention Cord, 110V |

PARTS LIST

Craftsman Snow Thrower Model 247.881900



PARTS LIST

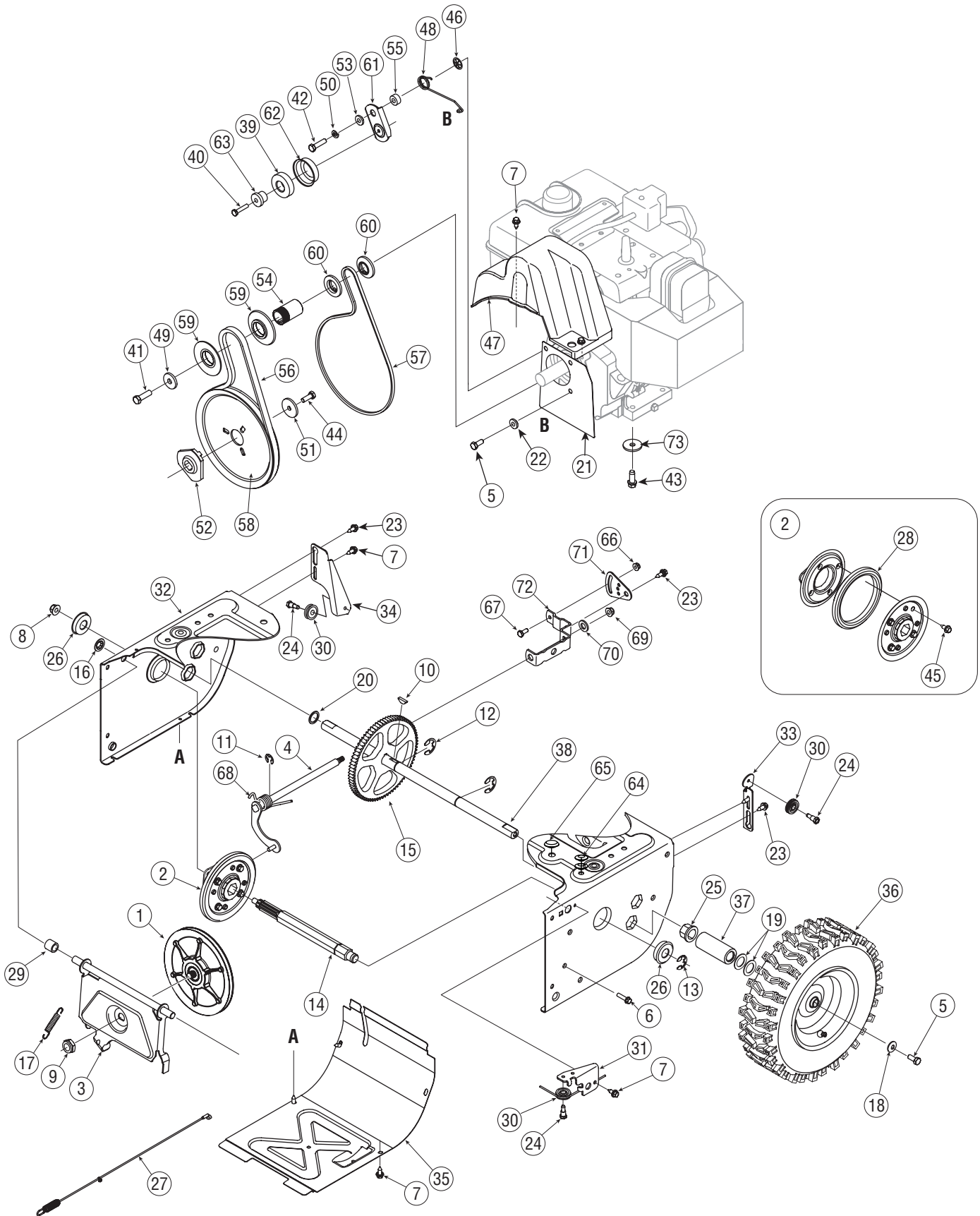
Craftsman Snow Thrower Model 247.881900

| Ref. No. | Part No. | Description |
|----------|------------|------------------------------------|
| 1. | 631-04133A | Handle Assembly, Clutch Lock, LH |
| 2. | 631-04134B | Handle Assembly, Clutch Lock, RH |
| 3. | 684-04111B | Handle Ass'y, Engage, Black, LH |
| 4. | 684-04112B | Handle Ass'y, Engage, Black, RH |
| 5. | 750-04831 | Spcr., .254 x .442 x .625 Lg. |
| 6. | 710-04326 | Screw, #8-16 x .50 |
| 7. | 710-04354 | Screw, 1/4-20, .375 |
| 8. | 710-0606 | Hex Screw, 1/4-20, 1.50, Gr5 |
| 9. | 790-00219 | Panel, Handle, (no cutout) |
| 10. | 710-1233 | Screw, Machine, #10-24, 1.375 |
| 11. | 711-04725 | Pivot Rod |
| 12. | 712-04063 | Nut, Flange Lock, 5/16-18, Nylon |
| 13. | 712-04064 | Nut, Flange Lock, 1/4-20, Nylon |
| 14. | 712-04081A | Nut, Hex, 1/4-20, Shoulder |
| 15. | 720-0274 | Grip, 1.0 ID x 5.0 |
| 16. | 720-04039 | Knob, Shift, Black |
| 17. | 731-04894C | Lock Plate |
| 18. | 731-04896B | Cam, Clutch Lock |
| 19. | 732-0193 | Spring, .39 x .60 x .88 |
| 20. | 732-04219A | Spring, Clutch Lock |
| 21. | 732-04238 | Spring, Torsion, 0.8156 ID x .3038 |
| 22. | 749-04138A | Handle, Lower |
| 23. | 735-0199A | Bumper, Rubber, .62 OD x .22 |
| 24. | 736-0262 | Washer, Flat, .385 x .870 x .092 |
| 25. | 738-04118 | Bolt, Shoulder, 5/16-18 x 0.905 |

| Ref. No. | Part No. | Description |
|----------|------------|------------------------------------|
| 26. | 738-04122 | Screw, Shoulder, .43 x 1.3, 1/4-20 |
| 27. | 731-04869 | Chute, Flange Keeper |
| 28. | 746-04397 | Cable, Speed Selector |
| 29. | 749-04142A | Handle, Upper, LH |
| 30. | 747-04263 | Eye Bolt, Chute Crank |
| 31. | 790-00313 | Shift Lever |
| 32. | 731-04912B | Chute, Lower, 5.0 Dia. |
| 33. | 710-0276 | Bolt, Carriage, 5/16-18, 1.0 |
| 34. | 710-04071 | Bolt, Carriage, 5/16-18, 1.0 |
| 35. | 710-0451 | Bolt, Carriage, 5/16-18, .750 |
| 36. | 731-04426A | Chute, Upper, w/ Label |
| 37. | 736-0159 | Washer, .349 x .879 x .063 |
| 38. | 741-0475 | Bushing, Plastic, .380 |
| 39. | 784-5647 | Bracket, Chute Crank |
| 40. | 684-04104 | Crank Assembly, Chute |
| 41. | 710-0449 | Screw, Carriage, 5/16-18, 2.25 |
| 42. | 710-04484 | Screw, 5/16-18, 2.25, Gr5 |
| 43. | 714-0104 | Pin, Cotter, .072 x 1.13 |
| 44. | 720-0201A | Crank Knob, 1.0 Dia. x 3.2, Black |
| 45. | 720-0284 | Knob, 5/16-18, Black |
| 46. | 726-0100 | Cap, Push, 3/8 Rod |
| 47. | 735-0234 | Grommet, .44 ID x .94 OD x .50 |
| 48. | 736-0185 | Washer, Flat, .375 x .738 x .063 |
| 49. | 749-04141A | Handle, Upper, RH |
| | | |

PARTS LIST

Craftsman Snow Thrower Model 247.881900



PARTS LIST

Craftsman Snow Thrower Model 247.881900

| Ref. No. | Part No. | Description |
|----------|------------|-------------------------------------|
| 1. | 656-04025A | Disc Assembly, Friction Wheel |
| 2. | 684-04153 | Friction Wheel Assembly, 5.5 OD |
| 3. | 684-04154 | Support Bracket, Friction Wheel |
| 4. | 684-04156A | Shift Assembly, Rod |
| 5. | 710-0627 | Hex Screw, 5/16-24, .750, Gr5 |
| 6. | 710-0788 | Screw, 1/4-20, 1.000 |
| 7. | 710-1652 | Screw, 1/4-20 x .625 |
| 8. | 712-04065 | Nut, Flange Lock, 3/8-16, Nylon |
| 9. | 712-0413 | Nut, Jam Lock, 5/8-18, Gr5, Nylon |
| 10. | 714-0126 | Key, Hi Pro, 3/16 x 3/4 Dia. |
| 11. | 716-0104 | E-ring, .500 Dia. |
| 12. | 716-0136 | E-ring, Retaining, .875 Dia. |
| 13. | 716-0231 | E-ring, .750 Dia. |
| 14. | 717-04209A | Hex Shaft, .8125, 7-Tooth |
| 15. | 717-04230 | Gear, 80-Tooth |
| 16. | 726-0221 | Speed Nut, .500 |
| 17. | 732-0264 | Extension Spring |
| 18. | 736-0242 | Washer, Bell, .340 x .872 x .060 |
| 19. | 736-0287 | Washer, Flat, .793 x 1.24 x .060 |
| 20. | 736-04161 | Washer, Flat, .75 x 1.00 x .060 |
| 21. | 790-00289A | Plt., Cvr. |
| 22. | 748-0234 | Shoulder Spacer |
| 23. | 738-04184A | Screw, Shoulder, .37 x .105, 1/4-20 |
| 24. | 738-0924A | Screw, 1/4-28, .375 |
| 25. | 741-0245 | Bearing, Hex Flange x .75 ID |
| 26. | 741-0563 | Bearing, Ball, 17 x 40 x 12 |
| 27. | 746-04229 | Clutch Cable, Wheel, 44.95" |
| 28. | 735-04054 | Rubber, Friction Wheel, 5.5 OD |
| 29. | 748-0190 | Spacer, .508 ID x .75 OD x .68 |
| 30. | 756-0625 | Roller, Cable |
| 31. | 790-00096 | Front Guide Bracket, Auger Cable |
| 32. | 790-00180A | Frame |
| 33. | 790-00206A | Guide Bracket, Auger Cable |
| 34. | 790-00207A | Guide Bracket, Drive Cable |
| 35. | 790-00316 | Cover, Frame |
| 36. | 634-04147A | LH Wheel Assembly, 15 x 5 x 6 |
| | 634-04148A | RH Wheel Assembly, 15 x 5 x 6 |

| Ref. No. | Part No. | Description |
|----------|------------|-------------------------------------|
| 37. | 731-04873 | Spacer, 1.25 x .75 x 3.0 |
| 38. | 738-04168 | Axle, .75 x 22" |
| 39. | 741-0919 | Ball Bearing |
| 40. | 710-0809 | Hex Screw, 1/4-20, 1.25, Gr5 |
| 41. | 710-0191 | Hex Screw, 3/8-24, 1.25, Gr8 |
| 42. | 710-0672 | Hex Screw, 5/16-24, 1.25, Gr5 |
| 43. | 710-0654A | Screw, Sems, 3/8-16, 1.00 |
| 44. | 710-1245B | Hex Screw, 5/16-24, .875, Gr8 |
| 45. | 710-0896 | Screw, 1/4-20 x .625 |
| 46. | 726-04012 | Nut, Push-on, .25 Dia. |
| 47. | 731-04792A | Cover, Belt |
| 48. | 732-04308A | Spring, Torsion, .850 ID x .354 |
| 49. | 736-0247 | Washer, Flat, .406 x 1.25 x .157 |
| 50. | 736-0119 | Washer, Lock .3125 |
| 51. | 736-0505 | Washer, Flat, .34 x 1.50 x .150 |
| 52. | 748-04053A | Pulley, Adapter, .75 Dia. |
| 53. | 748-04112A | Spacer, Shoulder, .317 x .50 x .102 |
| 54. | 750-04303 | Spacer, .875 ID x 1.185 OD |
| 55. | 750-04477 | Spacer, .340 x .750 x .360 |
| 56. | 754-04050 | Belt, Auger Drive |
| 57. | 754-0367 | Belt, Wheel Drive |
| 58. | 756-04109 | Pulley, Auger Drive, 8.1 x .5 |
| 59. | 756-04113 | Pulley, Half, V x 2.600 OD |
| 60. | 756-04252 | Pulley, Half, 3/8-V x 1.7160 OD |
| 61. | 790-00208A | Idler Bracket, Wheel Drive |
| 62. | 790-00230 | Sleeve, Bearing Idler |
| 63. | 750-04571 | Spacer, Shoulder, .26 x .79 x .538 |
| 64. | 735-04099 | Plug, 3/8 ID |
| 65. | 735-04100 | Plug, 1/2 ID |
| 66. | 712-04064 | Nut, Flange Lock, 1/4-20, Nylon |
| 67. | 710-0751 | Hex Screw, 1/4-20, .620, Gr5 |
| 68. | 732-04311 | Spring, Torsion, .750 ID x .968 |
| 69. | 712-04063 | Nut, Flange Lock, 5/16-18, Nylon |
| 70. | 736-3015 | Wash., Flat, .469 x .875 x .105 |
| 71. | 790-00217A | Pivot Bracket, Speed Selector |
| 72. | 790-00218A | Shift Bracket, Speed Selector |
| 73. | 736-0320 | Wash., Flat, .38 x 1.38 |

PARTS LIST

Craftsman Engine Model LH318SA-156587 For Snow Thrower Model 247.881900

| Ref. No. | Part No. | Description |
|----------|----------|--|
| 1. | 35385 | Cylinder |
| 2. | 27652 | Dowel Pin |
| 3. | 650820 | Screw, 1/4-20 x 0.5" |
| 5. | 30969 | Extension Cap |
| 14. | 28277 | Washer |
| 15. | 30699C | Governor Rod |
| 15B. | 650494 | Screw, 6-40 x 5/16" |
| 16. | 33454A | Governor Lever |
| 17. | 29916 | Governor Lever Clamp |
| 18. | 651028 | Screw, T-15, 8-32 x 7/16" |
| 19. | 34663 | Speed Control Spring |
| 20. | 35319 | Oil Seal |
| 25. | 37853 | Blower Housing Baffle |
| 26. | 650561 | Screw, 1/4-20 x 19/32" |
| 28. | 30322 | Lock Nut, 8-32 |
| 30. | 35980A | Crankshaft |
| 35. | 29826 | Screw, 10-32 x 3/4" |
| 36. | 29918 | Lock Washer |
| 37. | 29216 | Lock Nut, 10-32 |
| 38. | 29642 | Retaining Ring |
| 40. | 40011 | Piston, Pin & Ring Set (Std.) |
| 40. | 40012 | Piston, Pin & Ring Set (.010" OS) |
| 41. | 40009 | Piston, Pin & Ring Set (Std. incl. 43) |
| 41. | 40010 | Piston, Pin & Ring Set (.010" OS incl. 43) |
| 42. | 40013 | Ring Set (Std.) |
| 42. | 40014 | Ring Set (.010" OS) |
| 43. | 27888 | Piston Pin Retaining Ring |
| 45. | 36897 | Connecting Rod Assembly (incl. 47 & 49) |
| 47. | 651033 | Connecting Rod Bolt |
| 48. | 34034 | Valve Lifter |
| 49. | 36896 | Oil Dipper |
| 50. | 36655 | Camshaft (MCR) |
| 60. | 33273A | Blower Housing Extension |
| 65. | 650128 | Screw, 10-24 x 1/2" |
| 69. | 37342 | Cylinder Cover Gasket |
| 70. | 35445B | Cylinder Cover (Incl. 71,75,76,80-84) |
| 71. | 35377 | Crankshaft Bushing |
| 72. | 27642 | Oil Drain Plug |
| 75. | 35319 | Oil Seal |
| 76. | 28926 | Camshaft Seal |

| Ref. No. | Part No. | Description |
|----------|----------|-----------------------------------|
| 80. | 37587 | Governor Shaft |
| 81. | 651080 | Washer |
| 82. | 37588 | Governor Gear Ass'y. (Incl. 81) |
| 83. | 30588A | Governor Spool |
| 84. | 29193 | Retaining Ring |
| 86. | 650833 | Screw, 1/4-20 x 1-3/16" |
| 87. | 650832 | Screw, 1/4-20 x 1-11/16" |
| 89. | 32589 | Flywheel Key |
| 90. | 611093 | Flywheel (W/Ring Gear) |
| 92. | 650880 | Lock Washer |
| 93. | 650881 | Flywheel Nut |
| 100. | 35135A | Solid State Ignition (Incl. 101) |
| 101. | 610118 | Spark Plug Cover |
| 102. | 651024 | Solid State Mounting Stud |
| 103. | 651007 | Screw, T-15, 10-24 x 15/16" |
| 110. | 35187 | Ground Wire |
| 110A. | 37047 | Ground Wire |
| 119. | 36448 | Cylinder Head Gasket |
| 120. | 36449 | Cylinder Head |
| 125. | 27878A | Exhaust Valve (Std.incl. 151) |
| 125. | 27880A | Exhaust Valve (1/32" OS incl.151) |
| 126. | 34035 | Intake Valve (Std.) (Incl. 151) |
| 127. | 650691 | Washer |
| 130. | 6021A | Screw, 5/16-18 x 1-1/2" |
| 130A. | 650727 | Screw, 5/16-18 x 1-25/32" |
| 130B. | 651055 | Screw, 5/16-18 x 39/64" |
| 135. | 35395 | Resistor Spark Plug (RJ19LM) |
| 139. | 33369 | Governor Gear Bracket |
| 140. | 650836 | Screw, 10-24 x 1/2" |
| 149. | 27882 | Valve Spring Cap |
| 149A. | 35862 | Valve Spring Cap |
| 150. | 27881 | Valve Spring |
| 151. | 32581 | Valve Spring Keeper |
| 169. | 27896A | Valve Cover Gasket |
| 170. | 28423 | Breather Body |
| 171. | 28424 | Breather Element |
| 172. | 28425 | Valve Cover |
| 173. | 35350 | Breather Tube |
| 174. | 650128 | Screw, 10-24 x 1/2" |
| 178. | 29752 | Nut & Lock Washer, 1/4-28 |

PARTS LIST

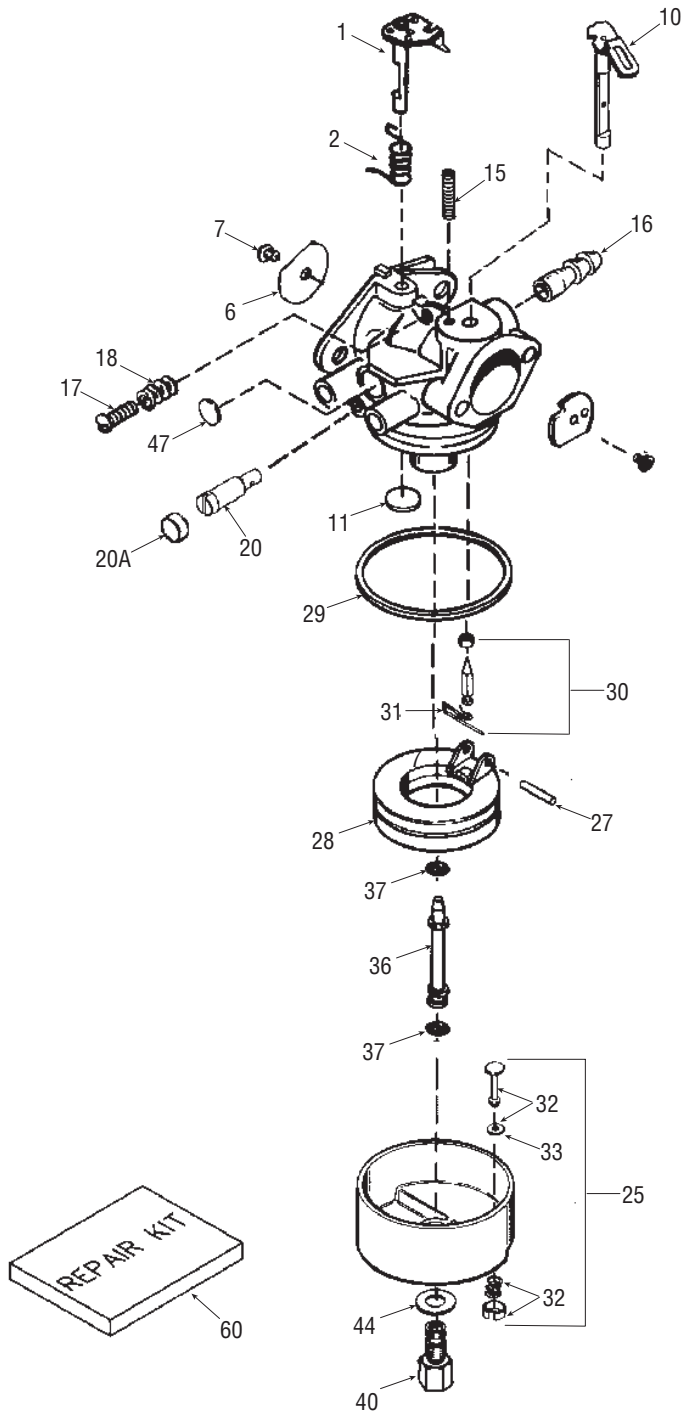
Craftsman Engine Model LH318SA-156587 For Snow Thrower Model 247.881900

| Ref. No. | Part No. | Description |
|----------|----------|--|
| 182. | 30088A | Screw, 1/4-28 x 1" |
| 183. | 34587A | Choke Bracket |
| 184. | 33263 | Carburetor To Intake Pipe Gasket |
| 185. | 33877 | Intake Pipe |
| 186. | 34667 | Governor Link |
| 186B. | 36652 | Choke Spring |
| 200. | 34677 | Control Bracket (Incl. 19, 203, 204 & 206) |
| 203. | 31342 | Compression Spring |
| 204. | 651029 | Screw, T-10, 5-40 x 7/16" |
| 206. | 610973 | Terminal |
| 207. | 33878 | Throttle Link |
| 209. | 650821 | Screw, 10-32 x 1/2" |
| 215. | 35440 | Control Knob |
| 219. | 34586 | Choke Rod |
| 220. | 35438 | Choke Knob |
| 222. | 28820 | Screw, 10-32 x 1/2" |
| 223. | 650378 | Screw, T-30, 5/16-18 x 1-3/32" |
| 224. | 27915A | Intake Pipe Gasket |
| 260. | 35447A | Blower Housing |
| 261. | 650788 | Screw, 5/16-18 x 3/4" |
| 262. | 651084 | Screw, 5/16-18 x 9/16" |
| 264A. | 650802 | Screw, 1/4-20 x 5/8" |
| 265. | 33272D | Cylinder Head Cover (Black) |
| 275. | 35056 | Muffler |
| 276. | 31588 | Locking Plate |
| 277. | 651002 | Screw, 5/16-18 x 4-3/16" |
| 281. | 33013 | Starter Bubble Cover |
| 282. | 650760 | Screw, 8-32 x 3/8" |
| 285. | 35985B | Starter Cup |
| 287. | 29752 | Nut & Lock Washer, 1/4-28 |
| 291. | 30962 | Fuel Line |
| 292. | 26460 | Fuel Line Clamp |
| 298. | 650665 | Screw, 1/4-15 x 7/8" |

| Ref. No. | Part No. | Description |
|----------|----------|---|
| 300. | 34186A | Fuel Tank (Incl. 292 & 301) |
| 301. | 35355 | Fuel Cap |
| 311. | 35942 | Oil Fill Plug |
| 314. | 650873 | Screw, 1/4-20 x 3/4" |
| 315. | 611111 | Alternator Coil (18 Watt) (Incl. 322 & 323) |
| 322. | 611117 | Connector Body |
| 323. | 611118 | Terminal |
| 325. | 29443 | Wire Clip |
| 328. | 35062 | Ignition Keys |
| 329. | 610973 | Terminal |
| 335. | 36547 | Carburetor Cover |
| 336. | 650765 | Screw, 10-32 x 1/2" |
| 338. | 28942 | Screw, 10-32 x 3/8" |
| 340. | 34154 | Fuel Tank Bracket |
| 341. | 34155 | Fuel Tank Bracket |
| 342. | 650561 | Screw, 1/4-20 x 19/32" |
| 343. | 35079A | Key Switch Bracket (Incl. 343A) |
| 343A. | 651060 | Screw, 10-32 x 23/64" |
| 350. | 570682A | Primer Ass'y. |
| 351. | 32180C | Primer Line |
| 355. | 590574 | Starter Handle |
| 364. | 37659 | Carburetor Cover Bracket |
| 365. | 650767 | Screw, 8-32 x 27/64" |
| 370C. | 36501 | Primer Decal |
| 370H. | 35077 | Choke Decal |
| 370I. | 37119 | Warning Decal |
| 370K. | 36695 | Starter Decal |
| 380. | 640052 | Carburetor (Incl. 184) |
| 390. | 590749 | Rewind Starter |
| 396. | 33329E | Electric Starter Motor (Optional) |
| 400. | 36450C | Gasket Set |
| 420. | 730226A | SAE 5W30, 4-Cycle Engine Oil (Quart) |
| | | |

PARTS LIST

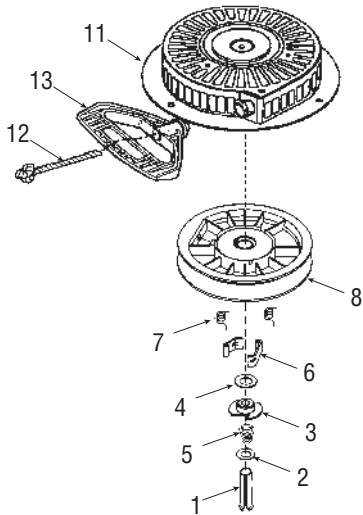
Craftsman Engine Model LH318SA-156587 For Snow Thrower Model 247.881900



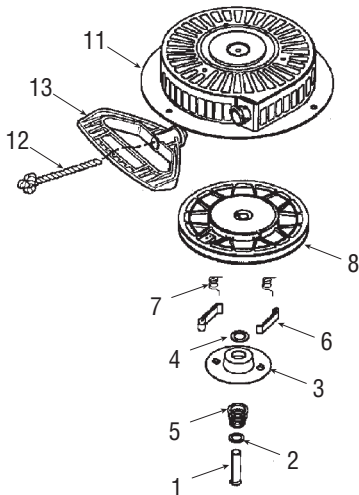
| Ref. No. | Part No. | Description |
|----------|----------|---------------------------------------|
| 0 | 640052 | Carburetor |
| 1 | 631776A | Throttle Shaft & Lever Assembly |
| 2 | 631970 | Throttle Return Spring |
| 6 | 631778 | Throttle Shutter |
| 7 | 650506 | Shutter Screw |
| 10 | 632112 | Choke Shaft & Lever Assembly |
| 14 | 632174 | Choke Shutter |
| 15 | 630735 | Choke Positioning Spring |
| 16 | 632164 | Fuel Fitting |
| 17 | 650417 | Throttle Crack Screw/Idle Speed Screw |
| 18 | 630766 | Tension Spring |
| 20 | 640016 | Idle Restrictor Screw |
| 20A | 640053 | Idle Restrictor Screw Cap |
| 25 | 631951 | Float Bowl Ass'y (Incl. 32 & 33) |
| 27 | 631024 | Float Shaft |
| 28 | 632765 | Float |
| 29 | 631028 | Float Bowl "O" Ring |
| 30 | 631021 | Inlet Needle, Seat & Clip (Incl. 31) |
| 31 | 631022 | Spring Clip |
| 32 | 27136A | Bowl Drain Assembly |
| 33 | 27554 | Drain Plunger Gasket |
| 36 | 640005 | Main Nozzle Tube |
| 37 | 632547 | "O" Ring, Main Nozzle Tube |
| 40 | 640055 | High Speed Bowl Nut |
| 44 | 27110 | Bowl Nut Washer |
| 47 | 630748 | Welch Plug, Idle Mixture Well |
| 48 | 631027 | Welch Plug, Atmospheric Vent |
| 60 | 632760 | Repair Kit |

PARTS LIST

Craftsman Engine Model LH318SA-156587 For Snow Thrower Model 247.881900



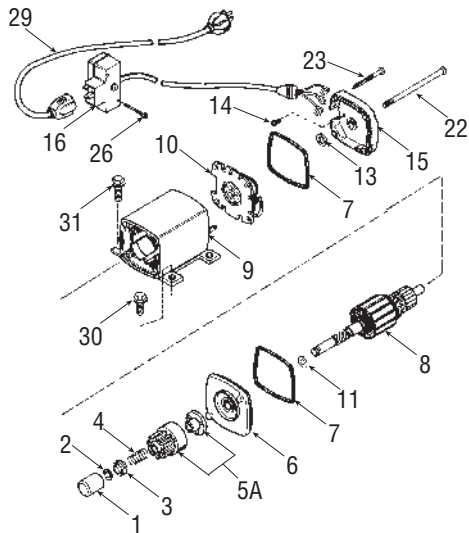
| Ref. No. | Part No. | Description |
|----------|----------|--|
| 0 | 590749 | Rewind Starter |
| 1 | 590599A | Spring Pin (Incl. 4) |
| 2 | 590600 | Washer |
| 3 | 590679 | Retainer |
| 4 | 590601 | Washer |
| 5 | 590678 | Brake Spring |
| 6 | 590680 | Starter Dog |
| 7 | 590412 | Dog Spring |
| 8 | 590682 | Pulley & Rewind Spring Assembly |
| 11 | 590750A | Starter Housing Assembly |
| 12 | 590535 | Starter Rope (Length 98" x 9/64" dia.) |
| 13 | 590574 | Mitten Grip Handle (optional) |



| Ref. No. | Part No. | Description |
|----------|----------|--|
| 0 | 590733 | Rewind Starter |
| 1 | 590599A | Spring Pin (Incl. 4) |
| 2 | 590600 | Washer |
| 3 | 590696 | Retainer |
| 4 | 590601 | Washer |
| 5 | 590697 | Brake Spring |
| 6 | 590698 | Starter Dog |
| 7 | 590699 | Dog Spring |
| 8 | 590709 | Pulley & Rewind Spring Assembly |
| 11 | 590734A | Starter Housing Assembly |
| 12 | 590535 | Starter Rope (Length 98" x 9/64" dia.) |
| 13 | 590574 | Mitten Grip Handle (optional) |

PARTS LIST

Craftsman Engine Model LH318SA-156587 For Snow Thrower Model 247.881900



| Ref. No. | Part No. | Description |
|----------|----------|--------------------------------------|
| 0 | 33329E | Electric Starter 110 Volt (optional) |
| 1 | 33451 | Dust Cover |
| 2 | 33842 | Retainer Ring |
| 3 | 33430 | Spring Retainer |
| 4 | 33431 | Anti-Drift Spring |
| 5A | 37050 | Gear & Nut (Incl. 2) |
| 6 | 35449 | Drive End Cap Assembly |
| 7 | 35450 | "O" Ring |
| 8 | 35915 | Armature |
| 9 | 35451B | Housing Assembly |
| 10 | 35452A | Brush Card Assembly |
| 11 | 35911 | Thrust Washer |
| 13 | 590500 | Thrust Washer |
| 14 | 33441 | Ground Screw |
| 15 | 35453 | Commutator End Cap Assembly |
| 16 | 35454 | Switch Box Ass'y. |
| 22 | 35455 | Case Bolt |
| 23 | 35456 | Ground Screw |
| 26 | 650819 | Screw, 6-32 X 2-1/2" |
| 26 | 651032 | Screw, 12-16 x 5/8" |
| 29 | 32450B | Extension Cord (10'6") |
| 30 | 30063 | Screw, Torx T-30, 1/4-20 X 1/2" |
| 31 | 650820 | Screw, 1/4-20 X 1/2" |