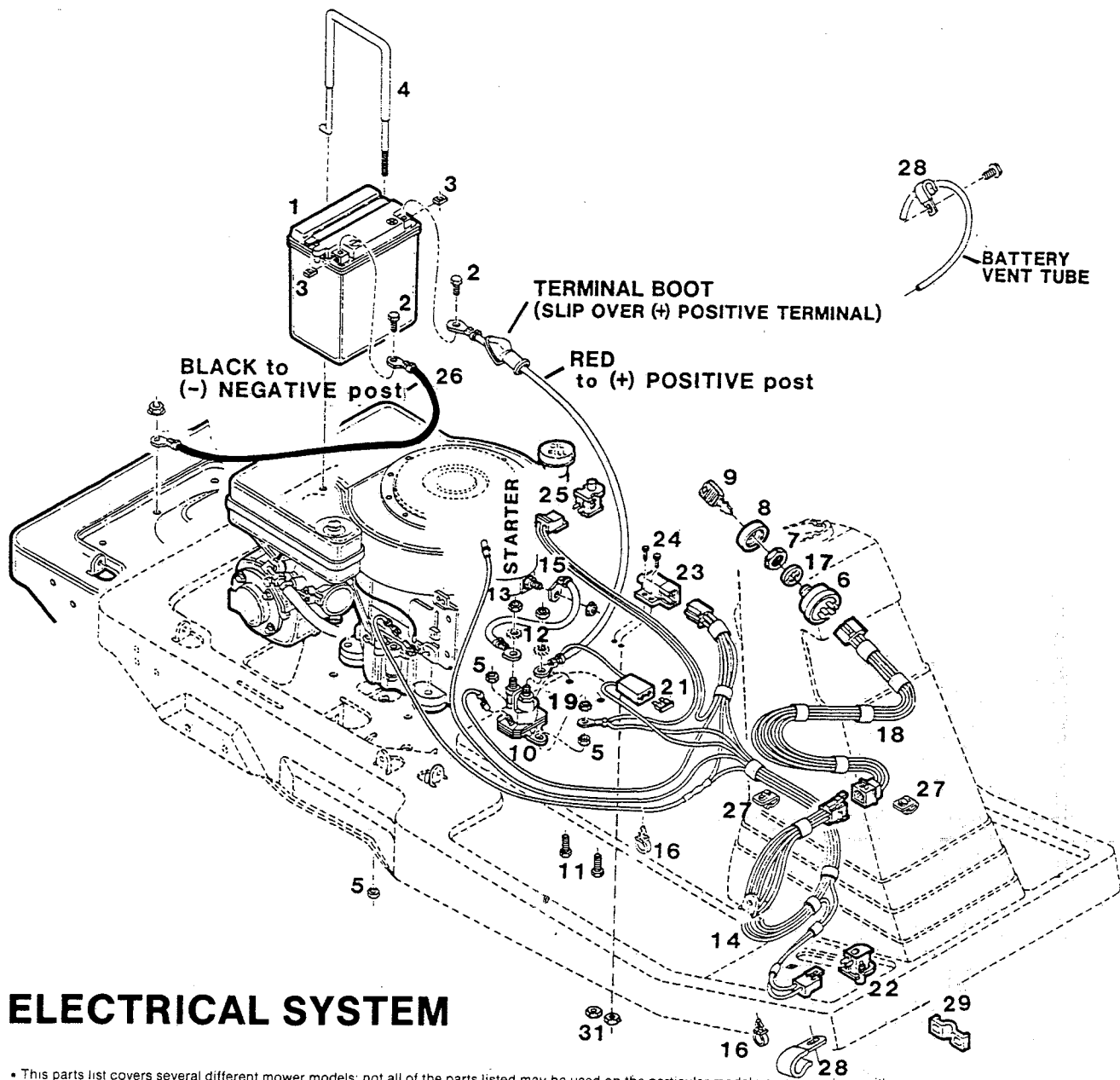


MODEL 310K
8 HP 30" Cut Rear Engine Riding Mower



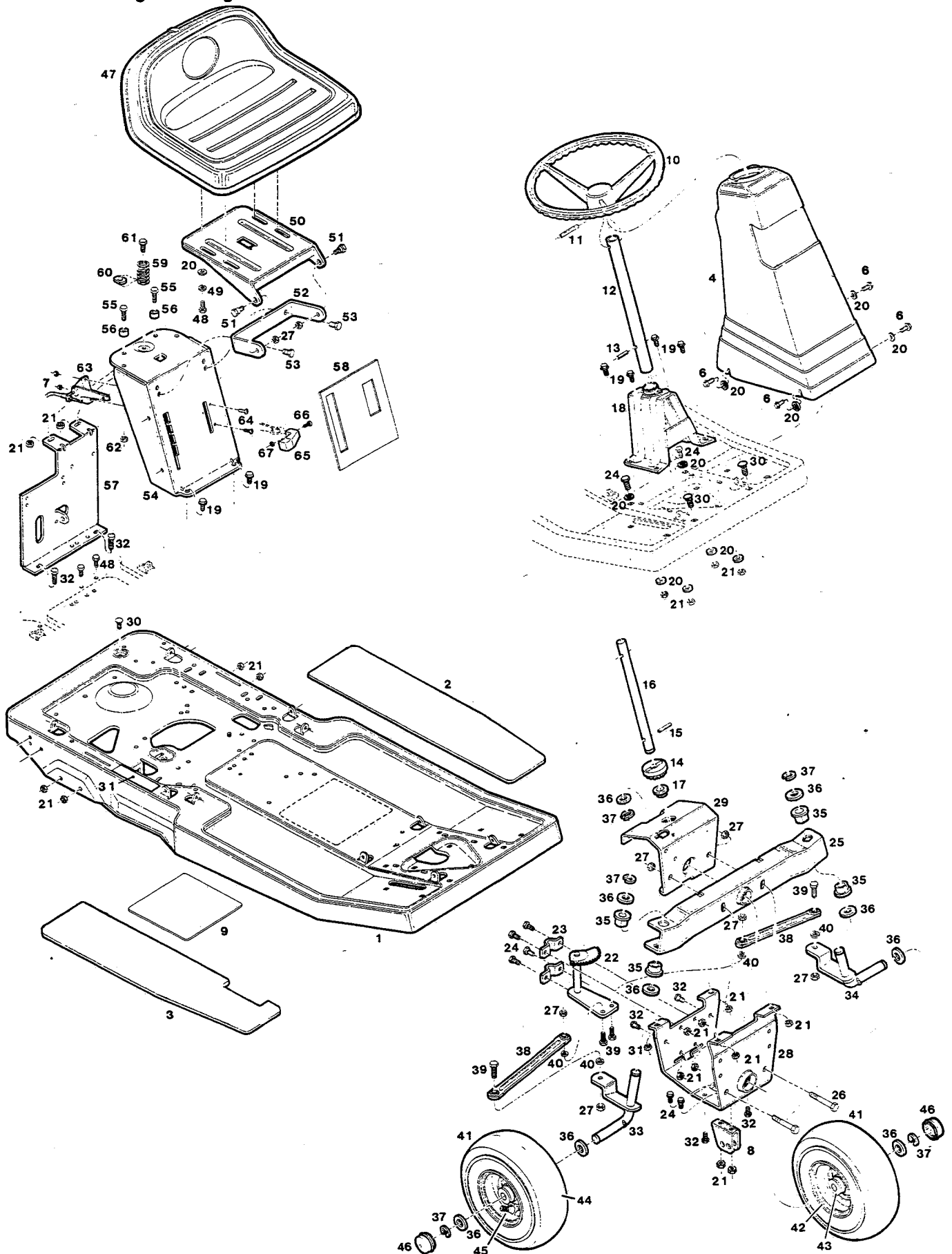
ELECTRICAL SYSTEM

- This parts list covers several different mower models; not all of the parts listed may be used on the particular model you are working with.
- When servicing use only **Genuine Factory Replacement Parts (OEM)** that are specifically designed for the particular model that you are working with.
- Parts are right or left hand as viewed from the operator's position.
- Model specifications are subject to change without prior notice.
- **Do not operate** the mower unless all parts are attached and in good working order.
- Lawn mower deck and/or other painted parts differing in color may be substituted without notice.

| Index No. | Part No. | Description | Index No. | Part No. | Description |
|-----------|----------|---------------------------------|-----------|----------|---|
| 1 | 138206 | Battery - 12 volt, dry | 16 | 138180 | Retainer - harness, plastic |
| 2 | ** | Bolt - hex, special | 17 | 311241 | Washer - lock, int tooth |
| 3 | ** | Nut - square, special | 18 | 138677 | Harness - ignition switch |
| 4 | 178970 | Clamp - battery hold-down | 19 | 452615 | Nut - hex 1/4-20 nylok |
| 5 | 616375 | Nut - hex lock 1/4-20 | 20 | 452318 | Nut - hex #10-24 nylok |
| 6 | 135798 | Switch - ignition w/o key | 21 | | Fuse - 15 amp (purchase locally) |
| 7 | 310102 | Nut - hex 5/8-32 | 22 | 138776 | Switch - safety, neutral start |
| 8 | 112698 | Boot - ignition switch | 23 | 134825 | Switch - system interlock |
| 9 | 136242 | Key - ignition | 24 | 715367 | Screw - hex #10-24 x 1/2 |
| 10 | 134940 | Solenoid - starter | 25 | 138750 | Switch - seat |
| 11 | 158121 | Bolt - hex 1/4-20 x 3/4 | 26 | 134908 | Wire - battery ground, black |
| 12 | 152975 | Washer - ext tooth lock 5/16 | 27 | 138172 | Clip - wiring, metal |
| 13 | 157974 | Nut - hex 5/16-24 | 28 | 135145 | Retainer - wire |
| 14 | 138586 | Harness - wiring | 29 | 134676 | Clip - wire, press-on |
| 15 | 136820 | Wire - solenoid to starter, red | -- | 114066 | Kit - battery cable bolts and vent hose |

** Purchase 114066 Hardware and Vent Hose Kit

MODEL 310K
8 HP 30" Rear Engine Riding Mower



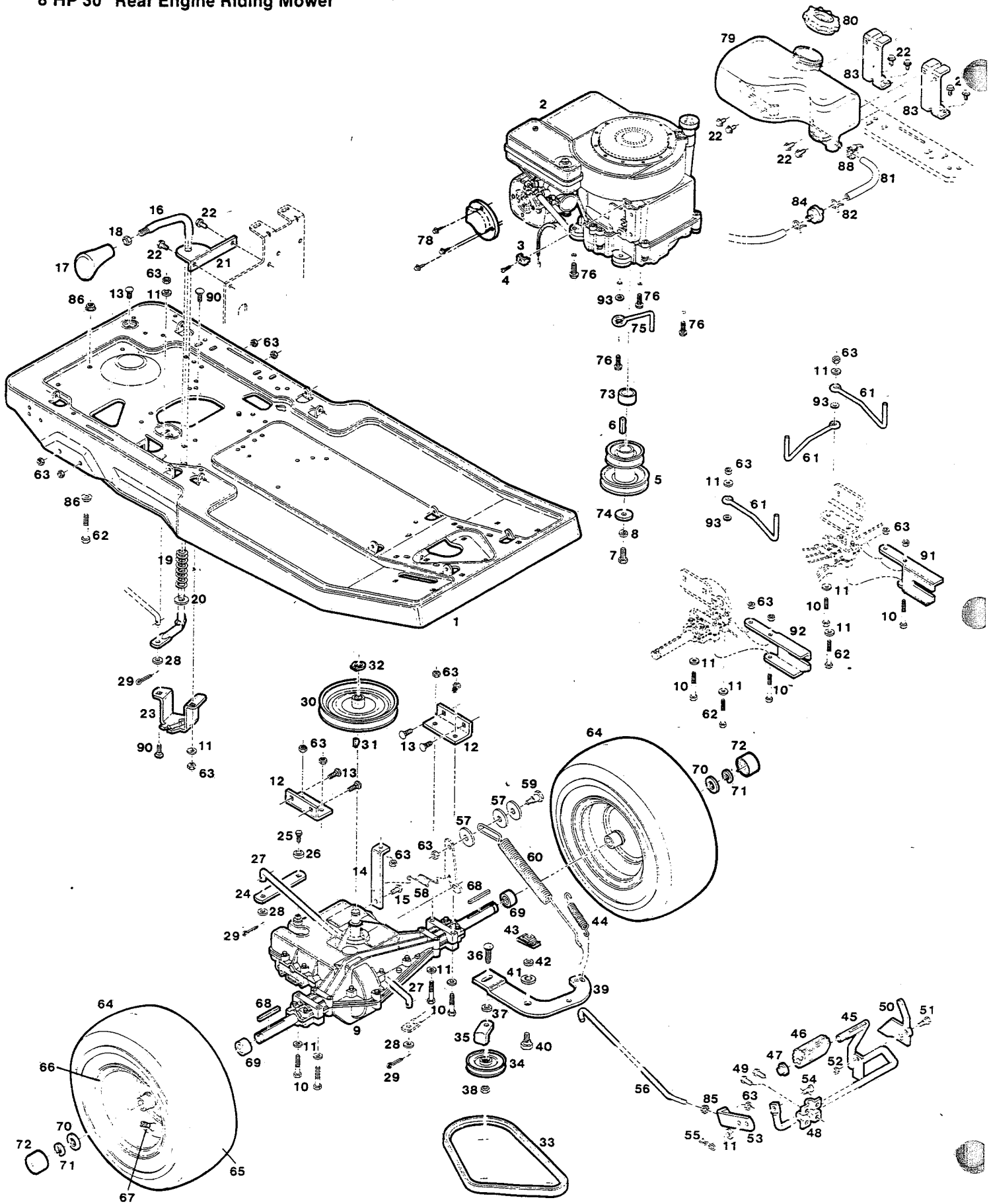
MODEL 310K
8 HP 30" Rear Engine Riding Mower

MAIN FRAME

| Index No. | Part No. | Description | Index No. | Part No. | Description |
|-----------|----------|---|-----------|----------|----------------------------------|
| 1 | 019265 | Frame - main | 36 | 158048 | Washer - flat 5/8 |
| 2 | 114637 | Pad - footrest LH | 37 | 715128 | Ring - retaining |
| 3 | 114629 | Pad - footrest RH | 38 | 099622 | Tie Rod - steering |
| 4 | 113191 | Console - steering column | 39 | 158642 | Bolt - hex 3/8-16 x 1 |
| 5 | 158089 | Screw - hex taptite 1/4-20 x 1/2 | 40 | 150185 | Washer - split lock 3/8 |
| 6 | 153601 | Bolt - hex tap 1/4-20x3/4 | 41 | 042796 | Wheel - front w/tire & bearings |
| 7 | 452318 | Nut - hex 10-24 nylok | 42 | 042812 | Rim - front wheel |
| 8 | 016667 | Bracket - deck draw bar | 43 | 162313 | Bearing - wheel |
| 9 | 796391 | Decal - console | 44 | 042382 | Tire - front 11x4.00 tubeless |
| 10 | 113266 | Wheel - steering | 45 | 136291 | Stem - valve w/cap |
| 11 | 159178 | Pin - roll 1/4 x 2-1/4 | 46 | 112409 | Cap - hub, front wheel |
| 12 | 087346 | Shaft - steering | 47 | 137059 | Seat |
| 13 | 162065 | Pin - spiral 3/16 x 1-1/4 | 48 | 450346 | Bolt - hex 5/16-18 x 3/4 |
| 14 | 172429 | Pinion - steering | 49 | 311118 | Washer - split lock |
| 15 | 314088 | Pin - roll 1/4 x 1-1/4 | 50 | 019091 | Plate - seat mount |
| 16 | 087676 | Shaft - steering pinion | 51 | 157503 | Bolt - shoulder 5/16-18 x 5/8 |
| 17 | 162255 | Bearing - steering shaft | 52 | 014928 | Bracket - seat plate |
| 18 | 020040 | Support - steering shaft | 53 | 525121 | Bolt - hex 3/8-16 x 5/8 |
| 19 | 159780 | Bolt - hex wash hd 5/16-18 x 5/8 | 54 | 019257 | Support - seat |
| 20 | 715185 | Washer - flat 5/16 | 55 | 152108 | Bolt - hex 5/16-18 x 1 |
| 21 | 310151 | Nut - hex 5/16-18 nylok | 56 | 159798 | Spacer - bolt |
| 22 | 172304 | Shaft - steering w/sector gear | 57 | 019273 | Support - seat & shift lever |
| 23 | 173054 | Clamp - steering shaft | 58 | 792895 | Decal - controls |
| 24 | 450437 | Bolt - hex 5/16-18 x 5/8 | 59 | 099341 | Spring - seat |
| -- | 019869 | Axle Assembly - front includes 25, 33, 34, 35, 36 & 37 | 60 | 099358 | Clamp - seat spring |
| 25 | 020057 | Axle - front | 61 | 715052 | Screw - hex taptite 1/4-20 x 1/2 |
| 26 | 450767 | Bolt - hex 3/8-16 x 2-3/4 | 62 | 452615 | Nut - hex 1/4-20 nylok |
| 27 | 451195 | Nut - hex 3/8-16 nylok | 63 | 052712 | Control - throttle w/cable |
| 28 | 021956 | Bracket - axle | 64 | 158451 | Screw - pan hd. 10-24 x 5/8 |
| 29 | 016691 | Bracket - axle | 65 | 112730 | Knob - throttle control |
| 30 | 158907 | Bolt - carriage 5/16-18 x 5/8 | 66 | 159335 | Screw - pan head #8-32 x 3/8 |
| 31 | 795518 | Decal - gear selection | 67 | 159244 | Nut - hex #8-32 |
| 32 | 159483 | Bolt - hex self tap 5/16-18 x 1/2 | -- | 042473 | Tube - front tire (optional) |
| 33 | 019885 | Spindle - steering, with arm RH | -- | 393736 | Sealant - tire 16 oz. bottle |
| 34 | 019877 | Spindle - steering, with arm LH | -- | 393744 | Sealant - tire 32 oz. bottle |
| 35 | 113332 | Bearing - spindle | | | |

- This parts list covers several different mower models; not all of the parts listed may be used on the particular model you are working with.
- When servicing use only **Genuine Factory Replacement Parts (OEM)** that are specifically designed for the particular model that you are working with.
- Parts are right or left hand as viewed from the operator's position.
- Model specifications are subject to change without prior notice.
- **Do not operate** the mower unless all parts are attached and in good working order
- Lawn mower deck and/or other painted parts differing in color may be substituted without notice.

MODEL 310K
8 HP 30" Rear Engine Riding Mower



CHASSIS

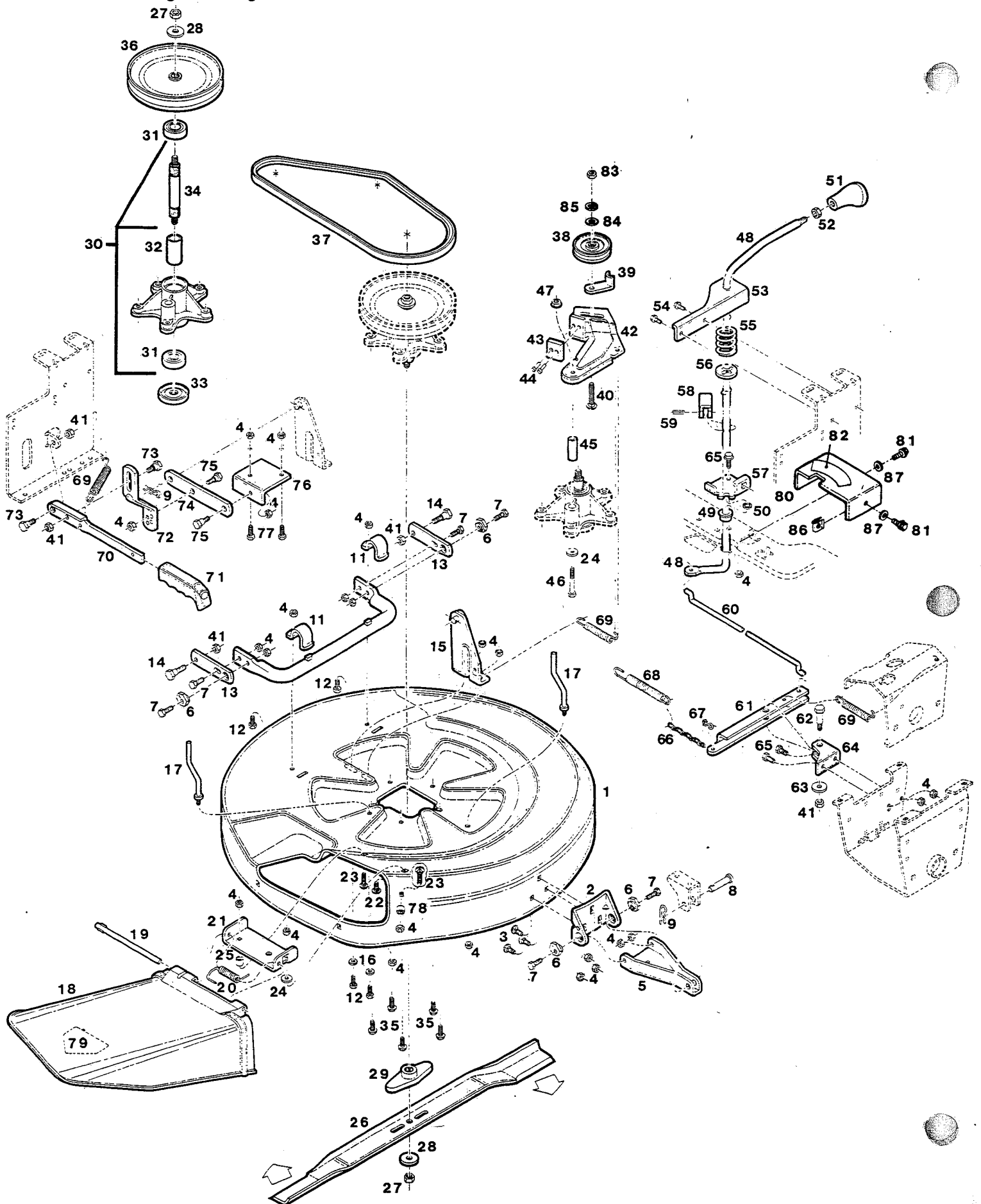
| Index No. | Part No. | Description | Index No. | Part No. | Description |
|-----------|----------|--|-----------|----------|--------------------------------------|
| 1 | 019265 | Frame - main | 48 | 016469 | Bracket - pedal |
| 2 | * | Engine - 8 HP | 49 | 159483 | Bolt - hex tap 5/16-18 x 1/2 |
| 3 | 159269 | Clamp - throttle cable | 50 | 017491 | Lever - parking brake |
| 4 | 159277 | Screw - cable clamp | 51 | 159996 | Bolt - shoulder 1/4-20 x 7/16 |
| 5 | 099200 | Pulley - engine, double | 52 | 616375 | Nut - hex lock 1/4-20 |
| 6 | 382069 | Key - pulley 1/4 square x 2-1/2 | 53 | 014878 | Clip - clutch rod |
| 7 | 615963 | Bolt - hex 7/16-20 x 2 | 54 | 157263 | Pin - clevis 5/16 |
| 8 | 311068 | Washer - 7/16 split lock | 55 | 715011 | Hairpin cotter |
| 9 | ** | Transaxle - 3 speed (Foote Model 4360-21) | 56 | 099234 | Rod - clutch |
| 10 | 158154 | Bolt - hex 5/16-18 x 2-3/4 | 57 | 461236 | Washer - flat |
| 11 | 715185 | Washer - flat 5/16 | 58 | 179267 | Spring - brake return |
| 12 | 016717 | Bracket - transaxle | 59 | 156588 | Bolt - shoulder 5/16-18 x 1-1/4 |
| 13 | 158907 | Bolt - carriage 5/16-18 x 5/8 | 60 | 179481 | Spring - brake |
| 14 | 091272 | Brace - transaxle | 61 | 179754 | Guide - belt |
| 15 | 159228 | Bolt - hex taptite 5/16-18 x 3/4 | 62 | 312306 | Bolt - hex 5/16-18 x 2-1/2 |
| 16 | 087338 | Lever - transmission shift | 63 | 310151 | Nut - hex 5/16-18 nylok |
| 17 | 112664 | Knob - shift lever | 64 | 042945 | Wheel - rear, with tire & rim |
| 18 | 615625 | Nut - hex jam 1/2-13 | 65 | 043026 | Tire - rear 4.80/4.00x8 tubeless |
| 19 | 136739 | Spring - shift lever | 66 | 043034 | Rim - rear wheel |
| 20 | 156075 | Washer - flat 1/2 | 67 | 136291 | Stem - valve w/cap |
| 21 | 014902 | Support - shift lever | 68 | 446617 | Key - rear wheel 3/16 square x 2-1/2 |
| 22 | 457499 | Bolt - hex taptite 1/4-20 x 1/2 | 69 | 179564 | Spacer - wheel |
| 23 | 179325 | Support - shift lever, with detent | 70 | 158188 | Washer - flat 3/4 |
| 24 | 099663 | Lever - shift, on transaxle | 71 | 316513 | Ring - retainer |
| 25 | 157982 | Bolt - hex 1/4-28 x 3/4 | 72 | 112409 | Cap - hub, rear wheel |
| 26 | 157792 | Washer - flat, special | 73 | 159715 | Spacer - engine pulley |
| 27 | 087320 | Rod - connecting, shift levers | 74 | 158253 | Washer - pilot |
| 28 | 715417 | Washer - flat 7/16 | 75 | 099317 | Guide - belt |
| 29 | 317016 | Pin - cotter 1/8 x 1 | 76 | 157891 | Bolt - hex taptite 3/8-16 x 1 |
| 30 | 099218 | Pulley - transaxle | 77 | 174797 | Deflector - muffler |
| 31 | 615534 | Key - woodruff #9 | 78 | 158527 | Screw - hex slotted #8-32 x 3/8 |
| 32 | 170035 | Ring - retaining | 79 | 114611 | Tank - fuel |
| 33 | 136705 | Belt - transaxle drive | 80 | 113340 | Cap - fuel tank |
| 34 | 109645 | Pulley - idler | 81 | 136697 | Hose - fuel line 24.5 |
| 35 | 015198 | Retainer - belt | 82 | 303859 | Clamp - fuel line |
| 36 | 157750 | Bolt - carriage 3/8-16 x 1-1/2 | 83 | 015263 | Support - fuel tank |
| 37 | 158345 | Washer - flat 3/8 | 84 | 432625 | Filter - fuel |
| 38 | 451195 | Nut - hex 3/8-16 nylok | 85 | 150136 | Nut - hex keps 5/16-18 |
| 39 | 173500 | Arm - idler pulley | 86 | 157610 | Nut - hex flange 5/16-18 |
| 40 | 157479 | Bolt - shoulder 5/16-18 x 5/8 | 87 | 158089 | Screw - hex taptite 1/4-20 x 1/2 |
| 41 | 159756 | Washer - flat 5/8 | 88 | 162404 | Clamp - fuel line |
| 42 | 158212 | Washer - flat | 90 | 313510 | Bolt - carriage 5/16-18 x 3/4 |
| 43 | 159764 | Clip - tinnerman | 91 | 019588 | Bracket - deck hanger LH |
| 44 | 109637 | Spring - idler tension | 92 | 019638 | Bracket - deck hanger RH |
| 45 | 018671 | Pedal - clutch/brake | 93 | 152975 | Washer - lock ext tooth 5/16 |
| 46 | 112938 | Pad - pedal, rubber | -- | 182428 | Tube - rear tire (optional) |
| 47 | 159905 | Retainer - push-on | -- | 393736 | Sealant - tire 16 oz. bottle |
| | | | -- | 393744 | Sealant - tire 32 oz. bottle |

*Contact Engine Manufacturer's authorized service dealer for parts and warranty.

**Contact Foote authorized service dealer or distributor for parts and warranty.

- This parts list covers several different mower models; not all of the parts listed may be used on the particular model you are working with.
- When servicing use only **Genuine Factory Replacement Parts (OEM)** that are specifically designed for the particular model that you are working with.
- Parts are right or left hand as viewed from the operator's position.
- Model specifications are subject to change without prior notice.
- **Do not operate** the mower unless all parts are attached and in good working order.
- Lawn mower deck and/or other painted parts differing in color may be substituted without notice.

MODEL 310K
8 HP 30" Rear Engine Riding Mower



30" MOWER DECK

| Index No. | Part No. | Description | Index No. | Part No. | Description |
|-----------|----------|--|-----------|----------|-------------------------------------|
| 1 | 022020 | Deck - mower 30" | 45 | 087296 | Spacer - idler arm |
| 2 | 019646 | Bracket - deck drawbar | 46 | 163600 | Bolt - hex 5/16-18 x 2-1/2 |
| 3 | 381657 | Bolt - carriage 5/16-18 x 5/8 | 47 | 159236 | Nut - hex 5/16-18 flange lock |
| 4 | 310151 | Nut - hex 5/16-18 nylok | 48 | 179499 | Lever - engaging, blade drive |
| 5 | 019752 | Draw bar - deck | 49 | 156653 | Bushing - nylon, lever |
| 6 | 158691 | Nut - eccentric, deck leveling | 50 | 620807 | Ring - retainer |
| 7 | 152108 | Bolt - hex 5/16-18 x 1 | 51 | 112664 | Knob - engaging lever |
| 8 | 158295 | Pin - clevis | 52 | 615625 | Nut - hex jam 1/2-13 |
| 9 | 715011 | Hairpin Cotter | 53 | 018432 | Support - lever |
| 10 | 019661 | Tube - deck suspension | 54 | 457499 | Screw - hex taptite 1/4-20 x 1/2 |
| 11 | 014589 | Clip - tube retaining | 55 | 137323 | Spring - engaging lever |
| 12 | 450346 | Bolt - hex 5/16-18 x 3/4 | 56 | 162073 | Washer - spring retaining |
| 13 | 019745 | Extension - suspension tube | 57 | 179556 | Bracket - lever, lower |
| 14 | 381749 | Bolt - shoulder 3/8-16 x 1-5/8 | 58 | 171348 | Stop - lever |
| 15 | 019596 | Bracket - lift | 59 | 715193 | Pin - roll 3/16 x 1 |
| 16 | 715185 | Washer - flat | 60 | 179507 | Rod - linkage |
| 17 | 172130 | Guide - belt | 61 | 179549 | Lever - pivot |
| 18 | 114165 | Deflector - discharge opening | 62 | 380428 | Bolt - shoulder 3/8-16 x 1-7/8 |
| 19 | 086595 | Pin - deflector hinge | 63 | 159954 | Washer - flat 3/8 |
| 20 | 086322 | Spring - deflector | 64 | 016667 | Bracket - pivot lever |
| 21 | 019513 | Bracket - deflector | 65 | 450437 | Bolt - hex 5/16-18 x 5/8 |
| 22 | 313510 | Bolt - carriage 5/16-18 x 3/4 | 66 | 179572 | Chain - clutch engaging |
| 23 | 313536 | Bolt - carriage 5/16-18 x 1-1/4 | 67 | 179713 | Hook - chain |
| 24 | 158212 | Washer - flat 5/16 | 68 | 098111 | Spring - clutch engaging |
| 25 | 381723 | Spacer - deflector bracket | 69 | 109637 | Spring - brake engaging, lift lever |
| 26 | 020024 | Blade - hi-lift 30" | 70 | 019604 | Lever - deck lift |
| 26 | 019679 | Blade - lo-lift 30", optional | 71 | 114173 | Grip - lift lever |
| 27 | 157537 | Nut - hex 1/2-13 ctr lock | 72 | 019612 | Link - lift |
| 28 | 158170 | Washer - flat 1/2 | 73 | 381756 | Bolt - shoulder 3/8-16 x 1-1/8 |
| 29 | 087171 | Hub - blade | 74 | 019620 | Link - pivot |
| 30 | 086926 | Housing - shaft w/brgs Includes 31 & 32 | 75 | 381764 | Bolt - shoulder 5/16-18 x 7/8 |
| 31 | 087130 | Bearing - blade shaft | 76 | 020008 | Bracket - pivot link |
| 32 | 087148 | Spacer - bearings | 77 | 157941 | Bolt - hex 5/16-18 x 7/8 |
| 33 | 087163 | Shield - dust | 78 | 152645 | Spacer - deflector bumper |
| 34 | 087189 | Shaft - blade | 79 | 143115 | Decal - DANGER |
| 35 | 159830 | Bolt - hex tap 5/16-18 x 7/8 | 80 | 114686 | Cover - blade lever/switch |
| 36 | 087122 | Pulley - blade drive | 81 | 158089 | Screw - hex taptite 1/4-20x1/2 |
| 37 | 337253 | Belt - blade drive | 82 | 007682 | Decal - blade engagement |
| 38 | 099937 | Pulley - idler | 83 | 715391 | Nut - hex 3/8-16 |
| 39 | 015198 | Retainer - belt | 84 | 715417 | Washer - flat 3/8 |
| 40 | 158444 | Bolt - carriage 3/8-16 x 2 | 85 | 150185 | Washer - split lock 3/8 |
| 41 | 451195 | Nut - hex 3/8-16 nylok | 86 | 451765 | Nut - Tinnerman |
| 42 | 086736 | Arm - idler pulley w/brake pad | 87 | 158956 | Washer - flat |
| 43 | 135046 | Pad - brake | -- | 393926 | Deck Assembly - complete |
| 44 | 159152 | Rivet - brake pad | -- | 395624 | Kit - mulcher plate (optional) |
| | | | -- | 230052 | Kit - grass catcher G30 (optional) |

- This parts list covers several different mower models; not all of the parts listed may be used on the particular model you are working with.
- When servicing use only **Genuine Factory Replacement Parts (OEM)** that are specifically designed for the particular model that you are working with.
- Parts are right or left hand as viewed from the operator's position.
- Model specifications are subject to change without prior notice.
- **Do not operate** the mower unless all parts are attached and in good working order.
- Lawn mower deck and/or other painted parts differing in color may be substituted without notice.