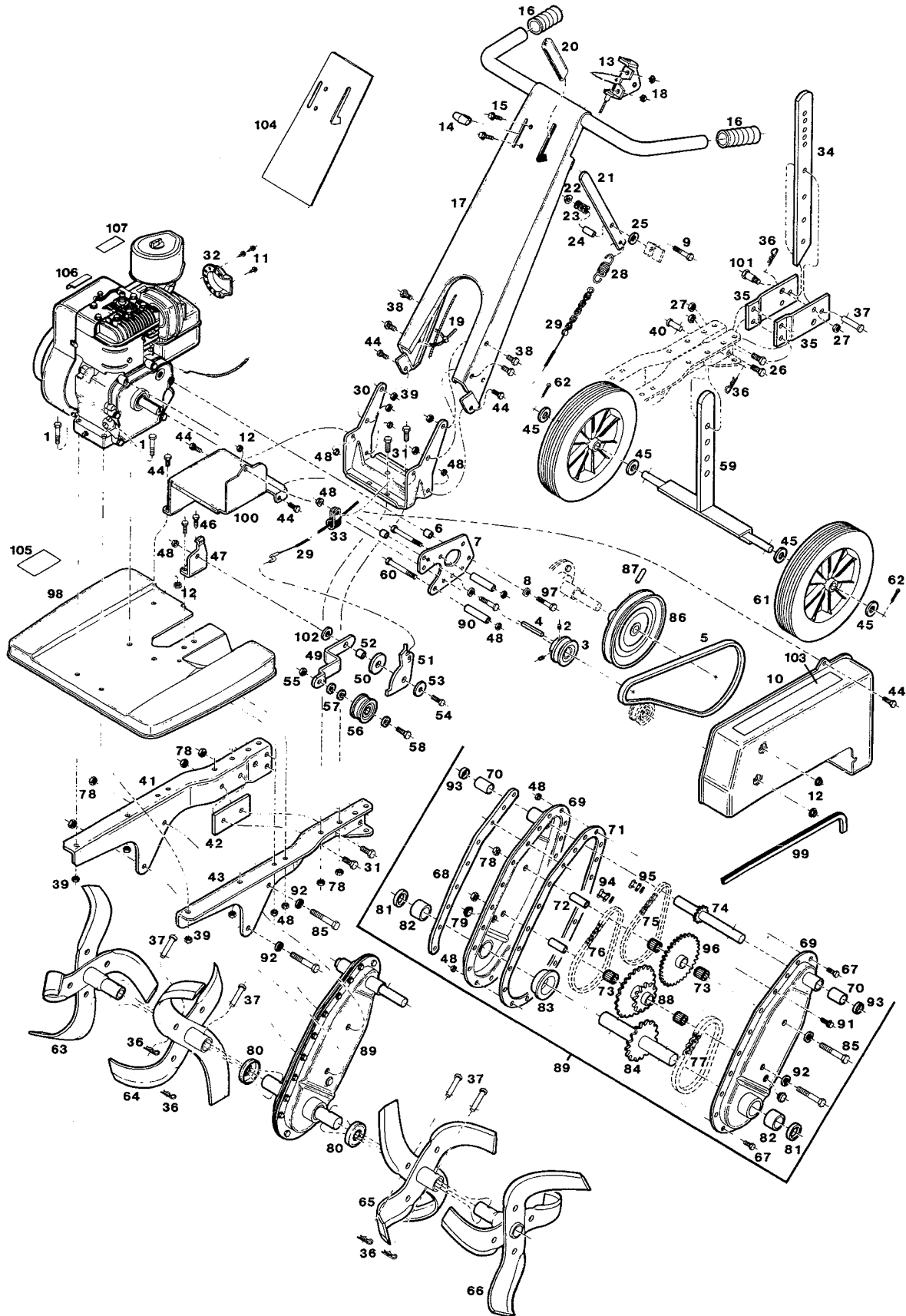


5 HP Chain Drive Tiller
Model: 3039E



**5 HP Chain Drive Tiller
Model: 3039E**

Ref. No.	JCPenney Part No.	Supplier Part No.	Description	Ref. No.	JCPenney Part No.	Supplier Part No.	Description
1	1277-7769	150250	Bolt-Hex 5/16-18 x 1 1/2	55	1317-6748	715524	Nut-Locking 3/8-16 Jam
2	1286-8998	458844	Set Screw	56	1072-5257	420745	Pulley Assembly-Idler
3	1302-7248	420935	Pulley-Engine	57	1300-2605	461731	Washer-Flat
4	1086-9352	446757	Key	58	1302-2066	715326	Bolt-Hex 3/8-16 x 1
5	1286-1399	421321	Belt	59	1302-3320	773085	Wheel Bracket Assy
6	1214-0463	468678	Spacer	60	1302-9871	450007	Bolt-1/4-20 x 3-1/4
7	1302-3221	464206	Plate Assy-Belt Guide	61	1302-3338	498808	Wheel-Lug Tread
8	1302-7206	715094	Washer-Lock	62	1302-8972	317016	Cotter Pin
9	1302-7214	450379	Bolt-1/4-20 x 1-3/4	63	1302-3387	786749	Tine Assy-R.H. Outer
10	1297-7575	570002	Guard-Belt	64	1302-3395	786681	Tine Assy-R.H. Inner
11	1302-9608	120048	Screw-Muffler Deflector	65	1302-3403	786665	Tine Assy-L.H. Inner
12	1302-1951	715078	Nut-Flange 1/4-20	66	1302-3411	786723	Tine Assy-L.H. Outer
13	1302-6968	781419	Control-Throttle	67	1302-1597	715052	Bolt-Hex 1/4-20 x 1/2
14	1297-0513	744227	Knob-Red	68	1302-6422	426015	Strap-Nut Plate
15	1072-7469	458687	Screw-Hex 10-24 x 1/2	69	1302-6430	432260	Weld Assy-Transmission
16	1302-2637	751032	Grip	70	1302-6489	423442	Bearing-Input
17	1286-1720	570010	Panel Assembly	71	1300-0609	555151	Gasket-Trans. Housing
18	1317-6219	715334	Nut-Keps 10-24	72	1302-6448	432922	Sleeve
19	1244-0012	110379	Cable Tie	73	1302-6455	423434	Bearing
20	1302-3312	761585	Tip-Lever	74	1297-7013	417469	Shaft-Assy-Input
21	1302-3296	422188	Lever	75	1297-5843	425314	Chain-Roller No. 35
22	1297-0505	451419	Nut Flange 1/4-20	76	1302-7172	425421	Chain-Roller No. 420
23	1302-7065	775072	Spring	77	1297-7633	425348	Chain-Roller No. 50
24	1302-7073	468801	Spacer	78	1300-2944	715441	Nut-Keps 3/8-16
25	1300-6549	715607	Washer-Belleville	79	1286-1449	426379	Plug-Oil Fill
26	1302-3634	457176	Bolt-3/8-16 x 1-1/4	80	1286-1233	762245	Cover-Tine Hub Seal
27	1277-8320	715086	Locknut-3/8 x 16 Hex	81	1286-1290	774547	Seal-Output Shaft
28	1302-3262	775155	Spring-Cable	82	1286-1415	423731	Bearing
29	1302-3288	749523	Cable-Control	83	1302-6463	468033	Spacer-Tine Shaft
30	1302-7099	447011	Channel-Handle Support	84	1302-6471	417501	Shaft Assy-Output
31	1300-2951	458968	Bolt-3/8-16 x 1	85	1302-6497	458927	Bolt-3/8-16 x 2-3/4
32	1300-4775	132142	Deflector-Muffler	86	1302-3346	420968	Pulley-Transmission
33	1207-8390	447979	Clamp	87	1302-7131	314062	Pin-Roll
34	1302-6265	435032	Depth Bar	88	1300-0617	590000	Sprocket Assy-Lower
35	1282-6839	571232	Depth Bar Bracket	89	1287-2396	432310	Trans. Assy
36	1286-1670	715011	Hairpin Cotter	90	1302-3353	468686	Spacer
37	1297-7658	489823	Pin-3/8 x 1-5/8 Clevis	91	1230-5801	153601	Bolt-1/4-20 x 3/4 Thr. Frm.
38	1302-2306	450437	Bolt-Hex 5/16-18 x 5/8	92	1302-2280	461780	Washer-3/8 T-Lock
39	1302-1639	715490	Nut-Locking 5/16-18	93	1287-2461	774695	Seal-Input Shaft
40	1302-3254	488940	Pin-1/2 x 1-1/4 Clevis	94	1093-0873	425124	Master Link-No. 420
41	1302-3247	446955	Beam-Main Support R.H.	95	1122-3831	424903	Master Link-No. 35
42	1302-6224	468058	Spacer-Main Sup. Beam	96	1297-7039	590018	Sprocket Assy-Upper
43	1207-8382	446930	Beam-Main Sup. L.H.	97	1302-2173	150433	Bolt-1/4-20 x 2
44	1286-1530	449587	Bolt-1/4-20 x 5/8	98	1093-0634	570028	Hood Tine
45	1300-0591	460824	Washer	99	1300-4817	447177	Strip
46	1302-6000	715045	Bolt-Hex 1/4-20 x 3/4	100	1093-0584	570630	Cover-Handle
47	1302-6349	771006	Bracket-Idler Mtg.	101	1297-6973	153650	Bolt-Shoulder
48	1304-5422	715508	Nut-Locking 1/4-20	102	1291-6037	152553	Washer-Thrust 1/2 ID x .032
49	1302-6307	778415	Arm-Forward Idler	103		551648	Decal-Caution
50	1302-1563	462762	Washer-Flat	104		550277	Decal - Handle Panel
51	1302-3577	463323	Plate-Idler Pivot	105		551655	Decal - Tine Warning
52	1302-6315	467829	Spacer	106		551713	Decal - Hand Placement
53	1302-3270	461236	Washer 5/16	107		551846	Decal - Caution-Disengage
54	1302-6331	459909	Bolt-Hex 1/4-20 x 1			541045	Owners Handbook