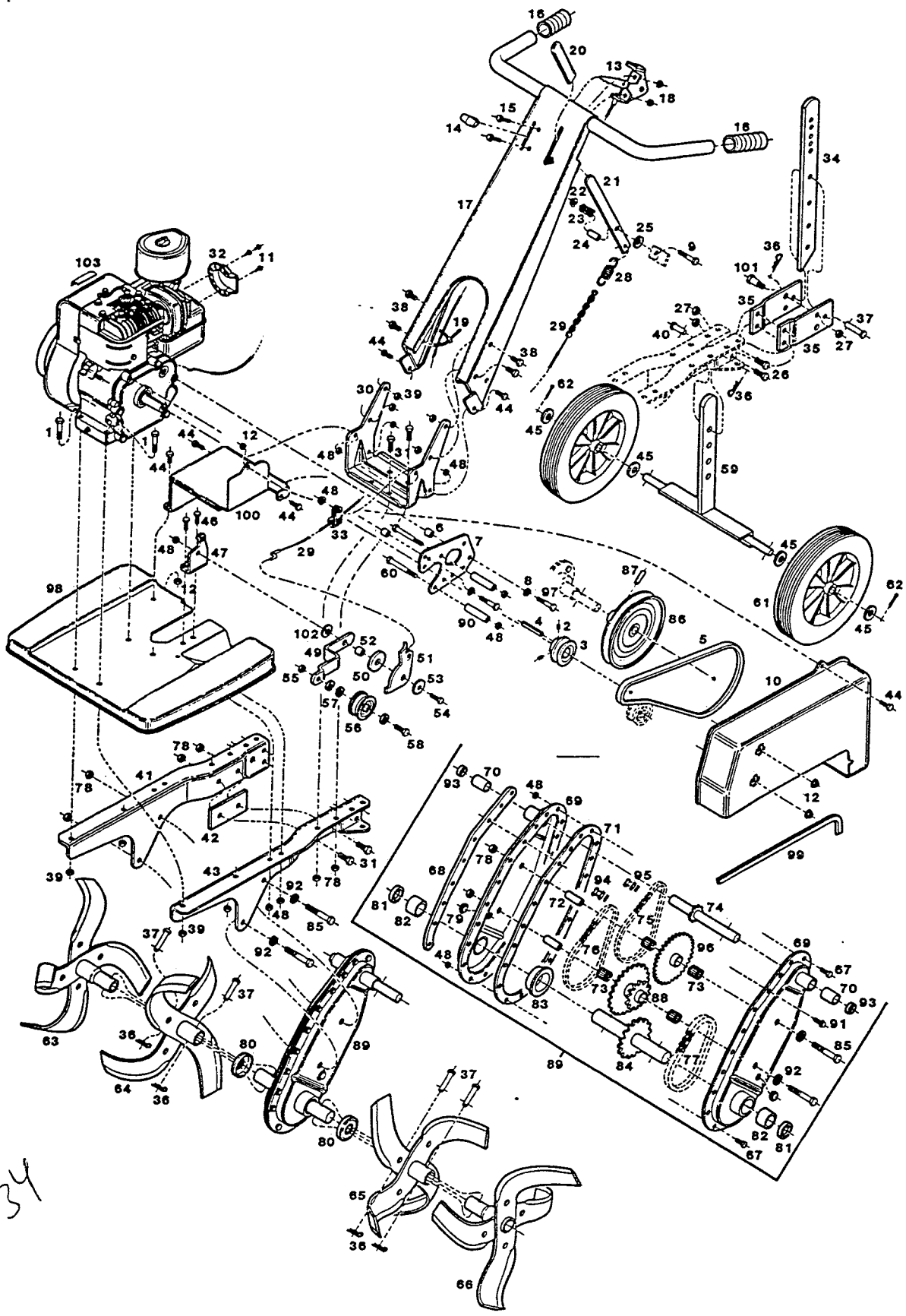


5 Hp Chain Drive Tiller  
Model: 3039C



521534

5 HP Chain Drive Tiller  
Model: 3039C

Ref. No.	JCPenney Part No.	Part No.	Description	Ref. No.	JCPenney Part No.	Part No.	Description
1	1093-0568	150250	Bolt-Hex 5/16-18 x 1 1/2	53	1207-8358	461236	Washer 5/16
2	1072-5166	458844	Set Screw	54	1086-9303	459909	Bolt-Hex 1/4-20 x 1
3	1093-0980	420935	Pulley-Engine	55	1072-5224	715524	Nut-Locking 3/8-16 Jam
4	1086-9352	446757	Key	56	1072-5257	420745	Pulley Assembly-Idler
5	1072-5232	421321	Belt	57	1086-9139	461731	Washer-Flat
6	†1214-0463	468678	Spacer	58	1072-5265	715326	Bolt-Hex 3/8-16 x 1
7	†1207-8283	464206	Plate Assy-Belt Guide	59	†1208-1204	773085	Wheel Bracket Assy
8	1093-0949	715094	Washer-Lock	60	1114-8913	450007	Bolt-1/4-20 x 3-1/4
9	1093-0956	450379	Bolt-1/4-20 x 1-3/4	61	†1208-1238	498808	Wheel-Lug Tread
10	1093-0659	570002	Guard-Belt	62	1093-1343	317016	Cotter Pin
11	1138-2546	120048	Screw-Muffler Deflector	63	†1220-8948	786749	Tine Assy-R.H. Outer
12	1072-5208	715078	Nut-Flange 1/4-20	64	†1220-8955	786681	Tine Assy-R.H. Inner
13	1093-0543	781419	Control-Throttle	65	†1220-8963	786665	Tine Assy-L.H. Inner
14	1122-3658	744227	Knob-Red	66	†1220-8971	786723	Tine Assy-L.H. Outer
15	1072-7469	458687	Screw-Hex 10-24 x 1/2	67	1066-3516	715052	Bolt-Hex 1/4-20 x 1/2
16	1076-0023	751032	Grip	68	1086-9428	426015	Strap-Nut Plate
17	†1207-8317	570010	Panel Assembly	69	1086-9477	432260	Weld Assy-Transmission
18	1076-0007	715334	Nut-Keps 10-24	70	1086-9550	423442	Bearing-Input
19	1244-0012	110379	Cable Tie	71	1300-0609	555151	Gasket-Trans. Housing
20	†1207-8408	761585	Tip-Lever	72	1086-9485	432922	Sleeve
21	†1207-8374	422188	Lever	73	1086-9493	423434	Bearing
22	1093-0931	451419	Nut Flange 1/4-20	74	1086-9568	417469	Shaft Assy-Input
23	1093-0691	775072	Spring	75	1093-0881	425314	Chain-Roller No. 35
24	1093-0709	468801	Spacer	76	1093-0899	425421	Chain-Roller No. 420
25	1277-7462	715607	Washer-Belleville	77	1093-0907	425348	Chain-Roller No. 50
26	1093-1384	457176	Bolt-3/8-16 x 1-1/4	78	1154-9342	715441	Nut-Keps 3/8-16
27	1277-8320	715086	Locknut-3/8x16 Hex	79	1086-9444	426379	Plug-Oil Fill
28	†1207-8341	775155	Spring-Cable	80	1086-9451	762245	Cover-Tine Hub Seal
29	†1207-8366	749523	Cable-Control	81	1086-9469	774547	Seal-Output Shaft
30	1093-0725	447011	Channel-Handle Support	82	1086-9519	423731	Bearing
31	1154-9359	458968	Bolt - 3/8-16 x 1	83	1086-9527	468033	Spacer-Tine Shaft
32	1155-0324	132142	Deflector-Muffler	84	1086-9535	417501	Shaft Assy-Output
33	†1207-8390	447979	Clamp	85	1086-9576	458927	Bolt-3/8-16 x 2-3/4
34	1086-9204	435032	Depth Bar	86	†1208-1261	420968	Pulley-Transmission
35	1283-6839	571232	Depth Bar Bracket	87	1093-0816	314062	Pin-Roll
36	1066-3375	715011	Hairpin Cotter	88	1300-0617	590000	Sprocket Assy-Lower
37	1066-3383	489823	Pin-3/8 x 1-5/8 Clevis	89	1093-0857	432310	Trans. Assy
38	1072-7212	450437	Bolt-Hex 5/16-18 x 5/8	90	†1208-1279	468686	Spacer
39	1066-3557	715490	Nut-Locking 5/16-18	91	1230-5801	153601	Bolt-1/4-20 x 3/4 Thr. Frm.
40	†1207-8333	488940	Pin-1/2 x 1-1/4 Clevis	92	1072-7154	461780	Washer-3/8 T-Lock
41	1207-8325	446955	Beam-Main Support R.H.	93	1086-9436	774695	Seal-Input Shaft
42	1086-9154	468058	Spacer-Main Sup. Beam	94	1093-0873	425124	Master Link-No. 420
43	1207-8382	446930	Beam-Main Sup. L.H.	95	1122-3831	424903	Master Link-No. 35
44	1093-0329	449587	Bolt-1/4-20 x 5/8	96	1297-7039	590018	Sprocket Assy-Upper
45	1300-0591	460824	Washer	97	1072-5380	150433	Bolt-1/4-20 x 2
46	1085-8256	715045	Bolt-Hex 1/4-20 x 3/4	98	1093-0634	570028	Hood Tine
47	1086-9311	771006	Bracket-Idler Mtg.	99	1155-0365	447177	Strip
48	1066-3565	715508	Nut-Locking 1/4-20	100	1093-0584	570630	Cover-Handle
49	1086-9279	778415	Arm-Forward Idler	101	1093-0154	153650	Bolt-Shoulder
50	†1207-8358	462762	Washer-Flat	102	1291-6037	152553	Washer-Thrust 1/2 ID x .032
51	1086-9220	463323	Plate-Idler Pivot	103		754028	Decal-Caution
52	1086-9287	467829	Spacer			540799	Owners Handbook

†Not Previously Stocked by Parts Dist.