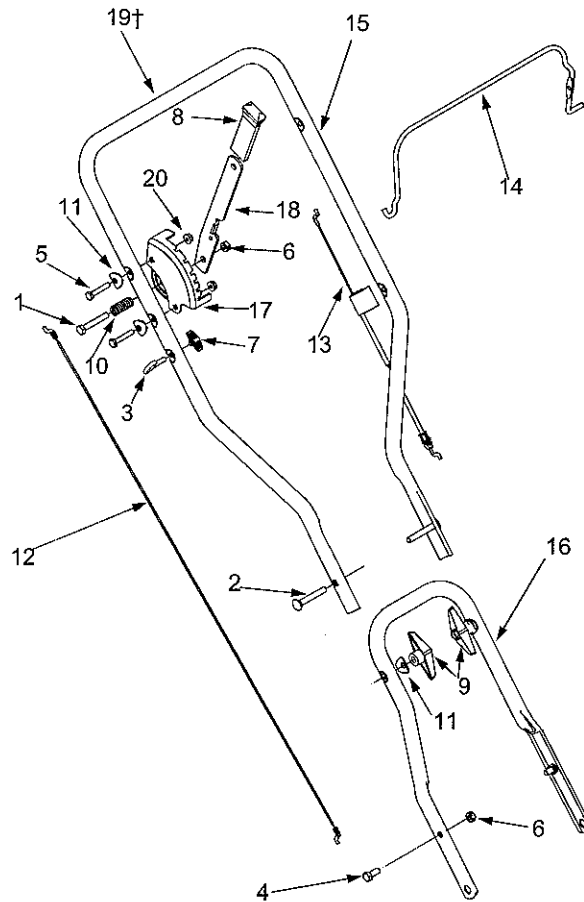


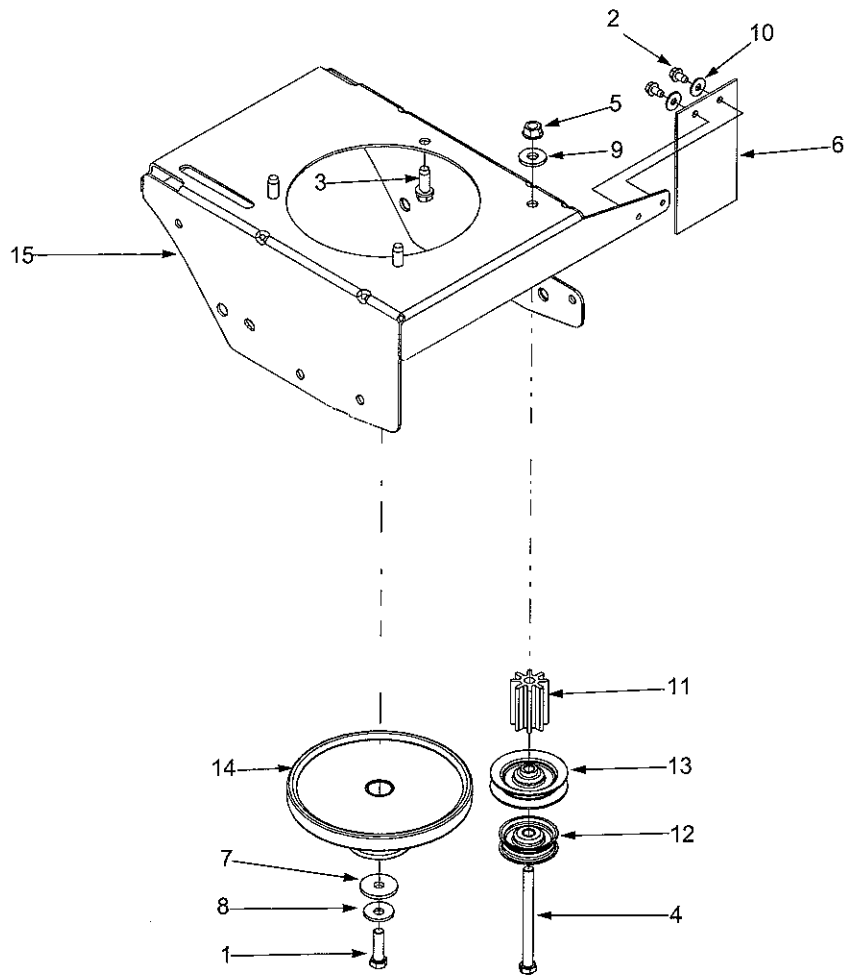
SECTION 9: PARTS LIST FOR MODEL 520/550/551/554 HANDLE



REF. NO.	PART NO.	DESCRIPTION	REF. NO.	PART NO.	DESCRIPTION
1	710-3103	Screw, 5/16-18	12	746-04036	Wheel Adjustment Cable
2	710-0449	Screw, 5/16-18	13	746-04035	Control Cable (Briggs & Stratton)
3	710-1205	Eye Bolt		746-04052	Control Cable (Tecumseh)
4	710-3008	Screw, 5/16-18	14	747-0976A	Bail Handle
5	710-0606	Screw	15	749-1225	Upper Handle
6	712-3004A	Hex Lock Nut, 5/16-18	16	749-4044	Lower Handle
7	720-0279	Wing Nut	17	781-0741	Depth Index Bracket
8	720-0142	Grip	18	781-0742	Depth Index Lever
9	720-0241	Wing Knob	19	720-0297†	Foam Grip
10	732-0369	Compression Spring	20	712-3027	Hex Flange Nut, 1/4-20
11	736-0451	Saddle Washer, .320 ID x.93 OD			

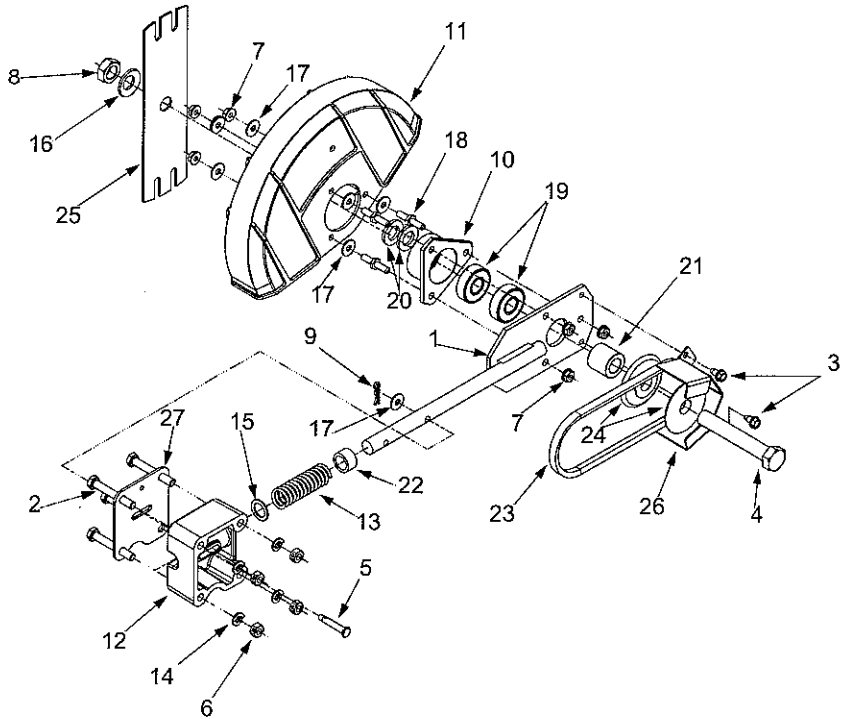
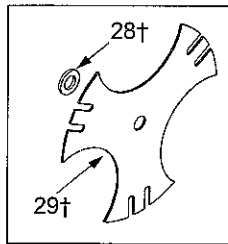
†If so equipped

Model 520/550/551/554 Frame



REF. NO.	PART NO.	DESCRIPTION
1	710-0191	Screw, 3/8-24
2	710-0599	Screw, 1/4-20
3	710-0654A	Screw, 3/8-16
4	710-0944	Screw, 3/8-16
5	712-0431	Flange Lock Nut, 3/8-16
6	731-04168	Debris Guard
7	736-0320	Flat Washer, 3/8 ID x 1.37 OD
8	736-0452	Bell Washer, 396 x 1.140
9	736-3052	Flat Washer, 406 x 1.00
10	736-3090	Flat Washer, 260 x .720
11	750-04142	Pulley Mount Spacer
12	756-0313	Flat Idler Pulley, 1.88 OD
13	756-1035A	Idler Pulley
14	756-1150A	Combination Flywheel Pulley
15	787-01072	Frame

Model 520 Spindle Assembly

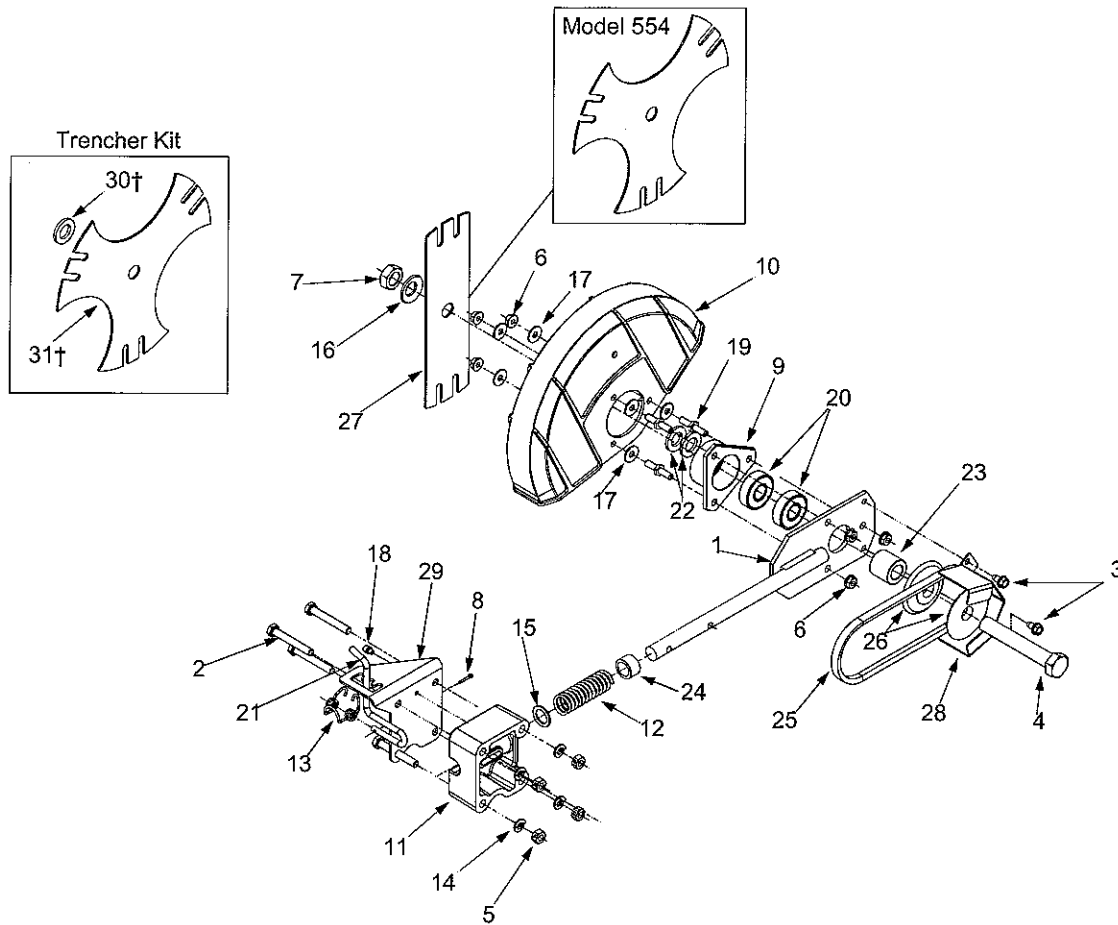


V-BELTS are specially designed to engage and disengage safely. A substitute (non-OEM) V-Belt can be dangerous by not disengaging completely.

REF. NO.	PART NO.	DESCRIPTION	REF. NO.	PART NO.	DESCRIPTION
1	687-02019	Blade Plate Assembly	16	736-0317	Bell Washer, 63 ID x 1.2 OD
2	710-0395	Hex Screw, 5/16-18	17	736-3090	Flat Washer, 260 x .72
3	710-0599	Self-tapping Screw, 1/4-20	18	738-04025	Pin, 1/4-20
4	710-1143A	Hex Screw, 5/8-18	19	741-0524	Bearing, 625 ID x 1.57 OD
5	711-1017	Clevis Pin	20	736-04088	Flat Washer
6	712-3004A	Hex Lock Nut, 5/16-18	21	750-04105	Spacer, 63 x 1.12 x 1.06
7	712-3027	Hex Flange Nut, 1/4-20	22	750-0547	Spacer, 632 ID x .875 OD
8	712-3056	Jam Nut, 5/8-18	23	754-04032	Belt
9	714-0104	Cotter Pin	24	756-0449	Sheave
10	718-04012	Bearing Cup	25	781-0080	Blade
11	731-04158	Blade Guard	26	781-0427	Belt Guard
12	731-04207	Bearing Block	27	787-01075	Cover Plate
13	732-04169	Compression Spring	28	736-04088†	Flat Washer
14	736-0119	Lock Washer	29	781-0748†	Tri Star Blade
15	736-0187	Flat Washer			

†If so equipped

Model 550/551/554 Spindle Assembly

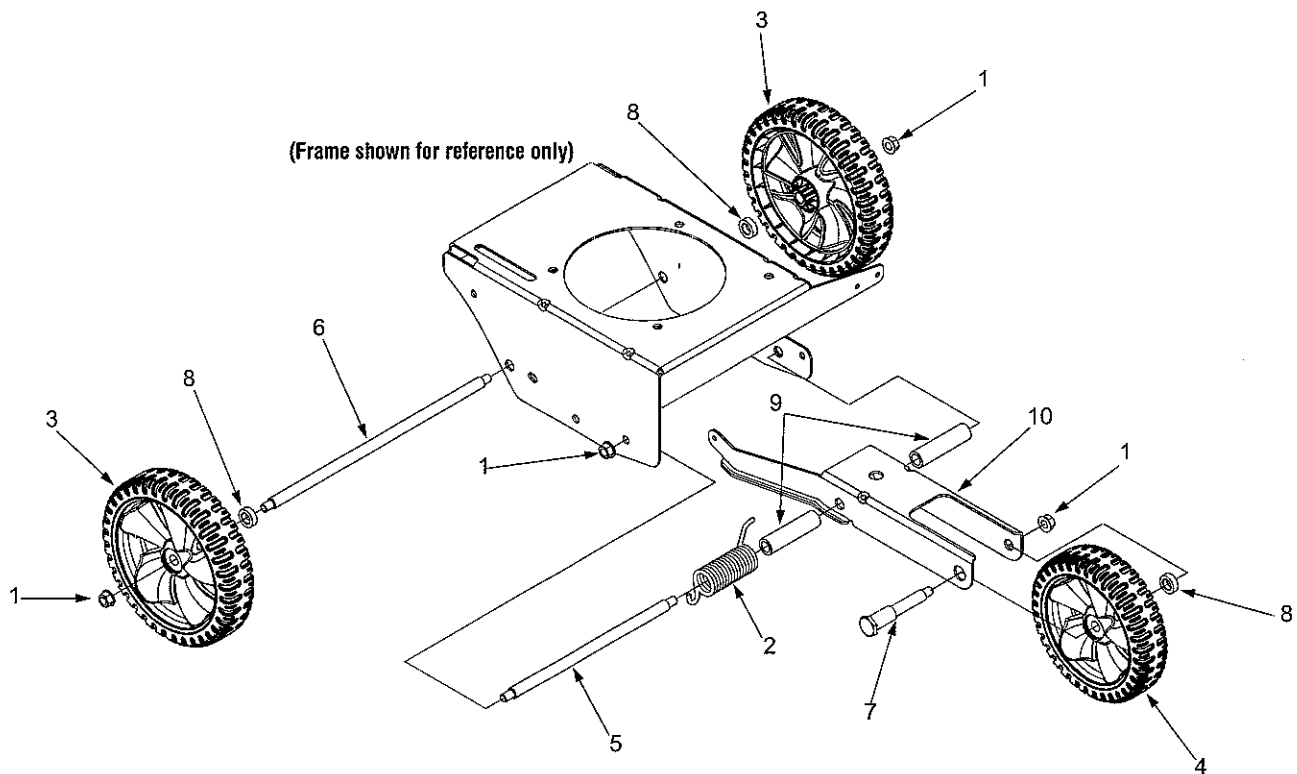


V-BELTS are specially designed to engage and disengage safely. A substitute (non-OEM) V-Belt can be dangerous by not disengaging completely.

REF. NO.	PART NO.	DESCRIPTION	REF. NO.	PART NO.	DESCRIPTION
1	687-02019	Blade Plate Assembly	17	736-3090	Flat Washer, 260 x .72
2	710-0395	Hex Screw, 5/16-18	18	737-3000	Lube Fitting, 3/16
3	710-0599	Self-tapping Screw, 1/4-20	19	738-04025	Pin, 1/4-20
4	710-1143A	Hex Screw, 5/8-18	20	741-0524	Bearing, .625 ID x 1.57 OD
5	712-3004A	Hex Lock Nut, 5/16-18	21	747-04110	Blade Adjustment Rod
6	712-3027	Hex Flange Nut, 1/4-20	22	736-04088	Flat Washer, 635 x 1.2
7	712-3056	Jam Nut, 5/8-18	23	750-04105	Spacer, 63 x 1.12 x 1.06
8	714-3010	Cotter Pin	24	750-0547	Spacer, .632 ID x .875 OD
9	718-04012	Bearing Cup	25	754-04032	Belt
10	731-04158	Blade Guard	26	756-0449	Sheave
11	731-04207	Bearing Block	27	781-0080	Blade (Models 550 & 551)
12	732-04169	Compression Spring		781-0748	Tri Star Blade (Model 554)
13	732-0188A	Double Torsion Spring	28	781-0427	Spindle Belt Guard
14	736-0119	Lock Washer	29	787-01081	Index Bracket
15	736-0187	Flat Washer	30	736-04088†	Flat Washer
16	736-0317	Bell Washer, .63 ID x 1.2 OD	31	781-0748†	Tri Star Blade

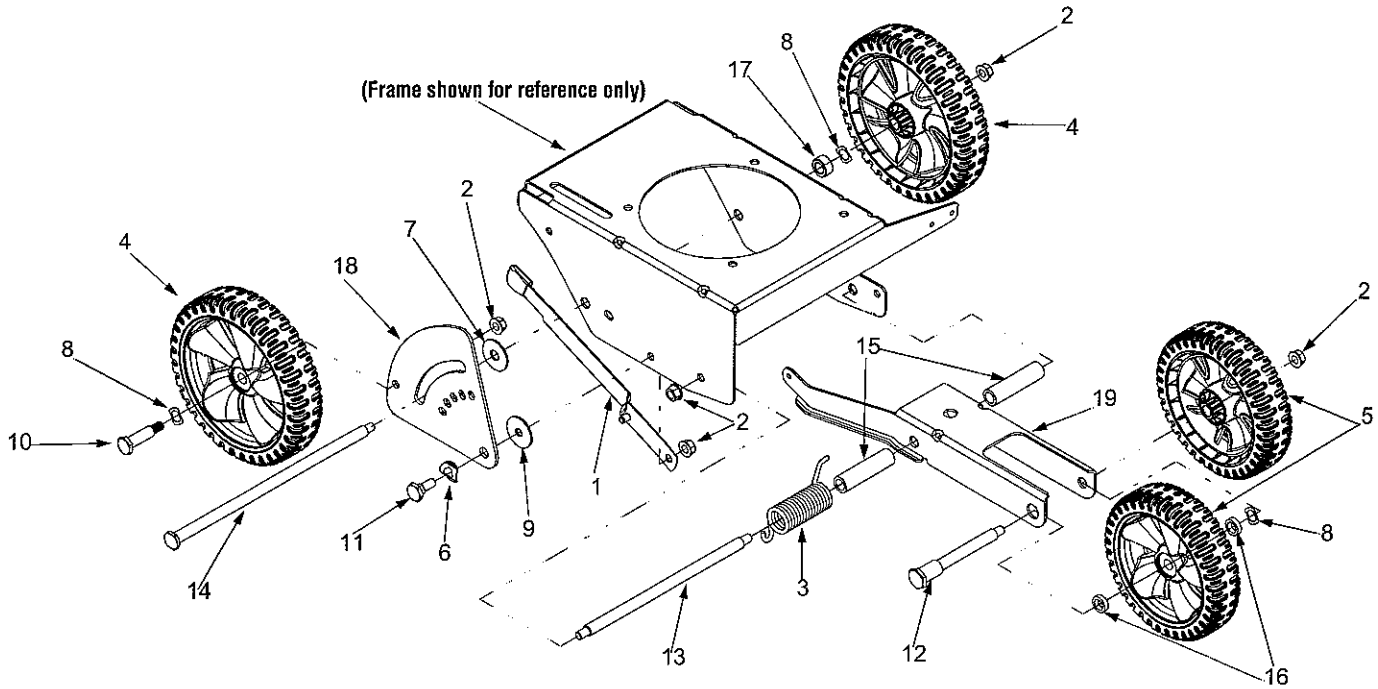
†If so equipped

Model 520 Wheel Assembly



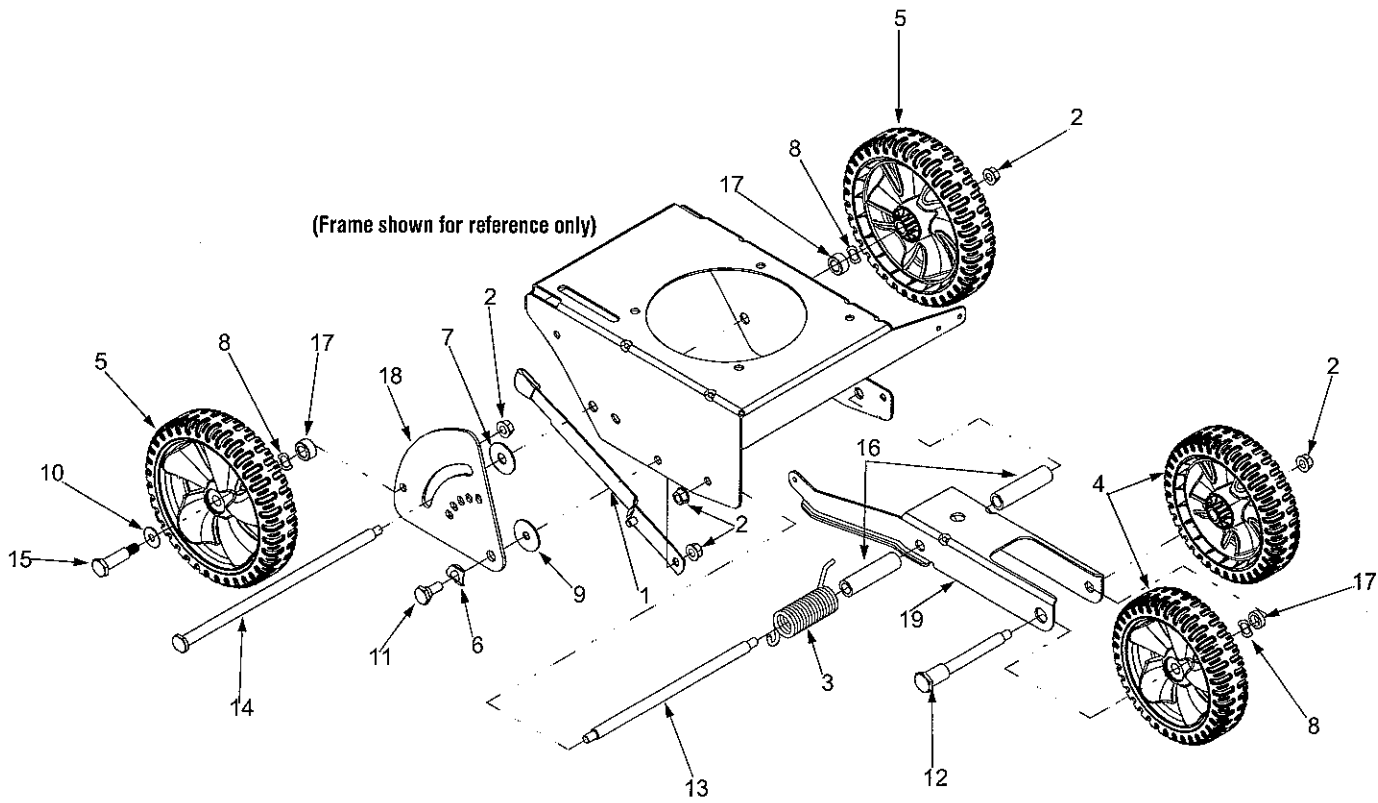
REF. NO.	PART NO.	DESCRIPTION
1	712-0431	Flange Lock Nut, 3/8-16
2	732-04045	Torsion Spring
3	734-1987	Wheel 8x1.8
4	734-1988	Wheel 7x1.8
5	738-04037	Shoulder Screw, 50 x 9.36, 3/8-16
6	738-04038	Shoulder Screw, 50 x 12.90, 3/8-16
7	738-04039	Shoulder Screw, 50 x 3.19, 3/8-16
8	750-0289	Spacer, .510 ID x .875 OD
9	750-04129	Spacer, .525 x .775
10	787-01074	Wheel Bracket

Model 550 And 551 Wheel Assembly



REF. NO.	PART NO.	DESCRIPTION
1	687-02022	Curb Height Adjustment Lever
2	712-0431	Flange Lock Nut, 3/8-16
3	732-04045	Torsion Spring
4	734-1987	Wheel 8x1.8
5	734-1988	Wheel 7x1.8
6	736-0182	Spring Washer, .500 x 1.00
7	736-0208	Flat Washer, .51 ID x 1.5 OD
8	736-0232	Wave Washer, .531 ID x .781 OD
9	736-0234	Washer, .385 x 1.5
10	738-0213	Shoulder Screw, .498 x 1.445
11	738-0380	Shoulder Screw, .50 x .27
12	738-04036	Shoulder Screw, .50 x 4.62
13	738-04037	Shoulder Screw, .50 x 9.36, 3/8-16
14	738-04041	Shoulder Screw, .50 x 11.61
15	750-04129	Spacer, .525 x .775
16	750-04165	Spacer, .525 x .775
17	750-0664	Spacer, .505 ID x .88 OD
18	781-0100	Curb Height Adjuster Plate
19	787-01074	Wheel Bracket

Model 554 Wheel Assembly



REF. NO.	PART NO.	DESCRIPTION
1	687-02022	Curb Height Adjustment Lever
2	712-0431	Flange Lock Nut, 3/8-16
3	732-04045	Torsion Spring
4	734-1264	Wheel 7 x 1.75
5	734-1268	Wheel 8 x 1.75
6	736-0182	Spring Washer, 500 x 1.00
7	736-0208	Flat Washer, 51 ID x 1.5 OD
8	736-0232	Wave Washer, 531 ID x 781 OD
9	736-0234	Washer, 385 x 1.5
10	736-0326	Flat Washer, 510 x 1.00
11	738-0380	Shoulder Screw, 50 x 27
12	738-04036	Shoulder Screw, 50 x 4.62
13	738-04037	Shoulder Screw, 50 x 9.36, 3/8-16
14	738-04041	Shoulder Screw, 50 x 11.61
15	738-0527	Shoulder Screw, 498 x 2.045
16	750-04129	Spacer, 525 x 688
17	750-0664	Spacer, 505 ID x 88 OD
18	781-0100	Curb Height Adjuster Plate
19	787-01074	Wheel Bracket