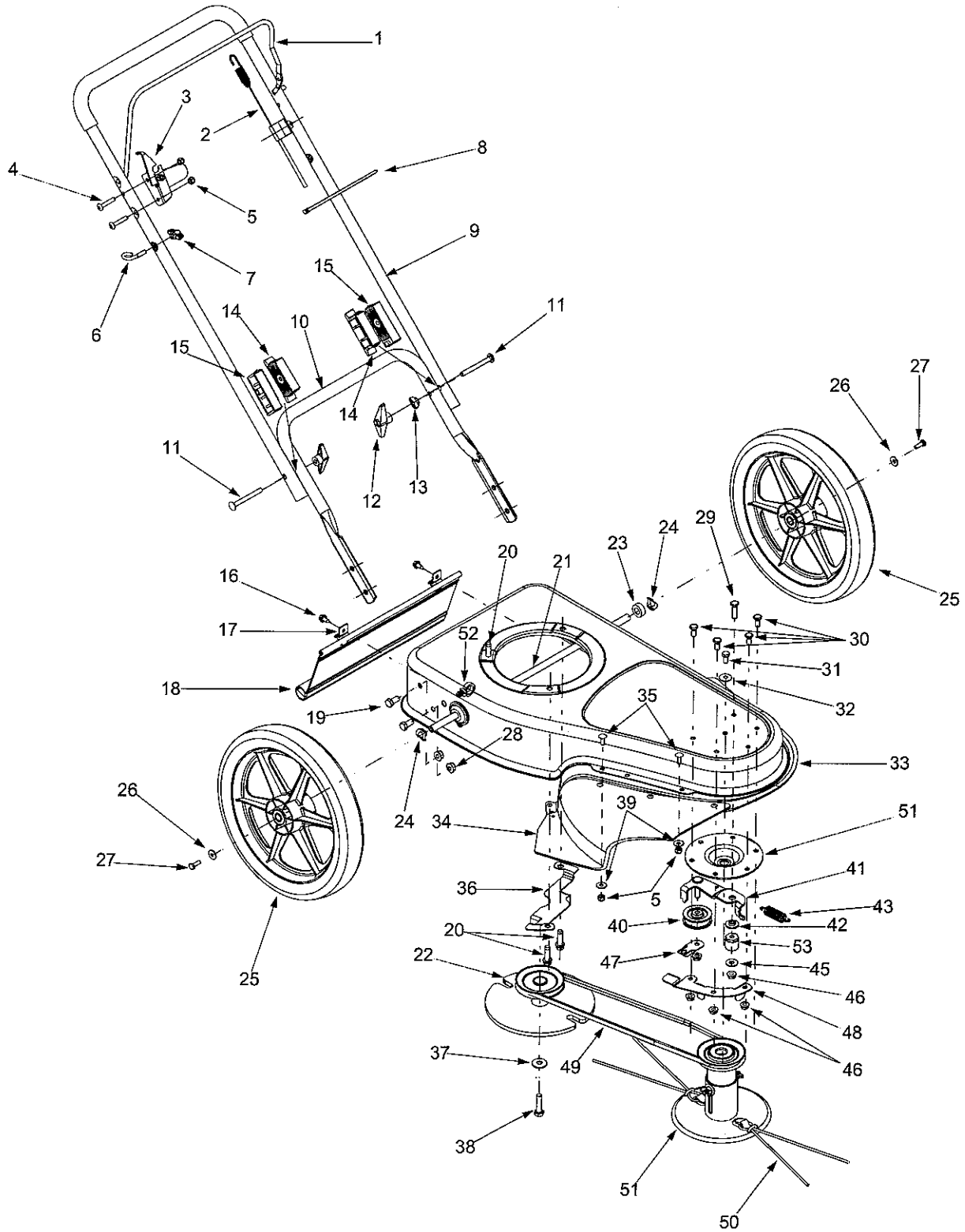


SECTION 9: PARTS LIST FOR MODEL 258



Model 258

Ref. No.	Part No.	Part Description	Ref. No.	Part No.	Part Description
1	747-0824	Control Lever	27	710-3015	Hex Cap Screw 1/4-20 x.75
2	746-1116A	Engagement Cable	28	712-3005	Flange Lock Nut 3/8-16
3	681-0166	Control Lock Bracket	29	710-04010	Screw 5/16-18 x 2.25
4	710-0578	Machine Screw 1/4-20 x 1.50	30	710-1307	Screw 5/16-18 x .75
5	712-0324	Hex Lock Nut 1/4-20	31	710-0237	Hex Cap Screw 5/16-24 x .625
6	710-1205	Eye Bolt 1/4-20	32	736-0425	Bell Washer.325 ID x .930 OD
7	720-0279	Wing Nut	33	781-1005A	Trimmer Base
8	726-0240	Cable Tie	34	631-0096	Trimmer Deflector Assembly
9	749-1255	Upper Handle	35	710-0703	Hex Carriage Screw 1/4-20 x .75
10	749-1254	Lower Handle	36	781-1007	Belt Keeper Bracket Engine
11	710-0450	Carriage Screw 5/16-18 x 3.0	37	736-0452	Bell Washer.396 ID x 1.14 OD
12	720-0284	Wing Nut	38	710-1044	Hex Cap Screw 3/8-24 x 1.50
13	736-0451	Shoulder Washer 320 ID x .93 OD	39	736-0173	Flat Washer.28 ID x .74 OD
14	731-1267	Lower Handle Connector	40	756-1198	Idler Pulley
15	731-1268	Upper Handle Connector	41	681-0181A	Idler Bracket Assembly
16	710-1652	Hex Washer Screw 1/4-20 x .625	42	750-1275	Idler Spacer
17	782-9065	Trail Shield Clip	43	732-1166	Extension Spring 50 Dia x 1.88 Lg
18	731-2329	Trail Shield	45	736-0371	Flat Washer
19	710-0216	Hex Cap Screw 3/8-16 x .750	46	712-3004A	Flange Lock Nut 5/16-18
20	710-0502A	Hex Washer Screw 3/8-16 x 1.25	47	781-1028	Idler Keeper Bracket
21	681-0159	Trimmer Axle	48	781-1020	Belt Keeper Bracket Front
22	756-1223	Flywheel / Pulley Combination	49	754-0625A	V-Belt
23	750-1240	Spacer.51 ID x 1.0 OD	50	OEM-743-0112	Trimmer Line 155 (incl. 10 pieces)
24	736-0182	Spacer Washer.501 ID x 1.0 OD	51	618-0558	Spindle Assembly
25	734-2050	Wheel Assembly	52	726-3055	Cable Retainer Clip
26	736-0270	Bell Washer.265 ID x .75 OD	53	748-0278	Spacer