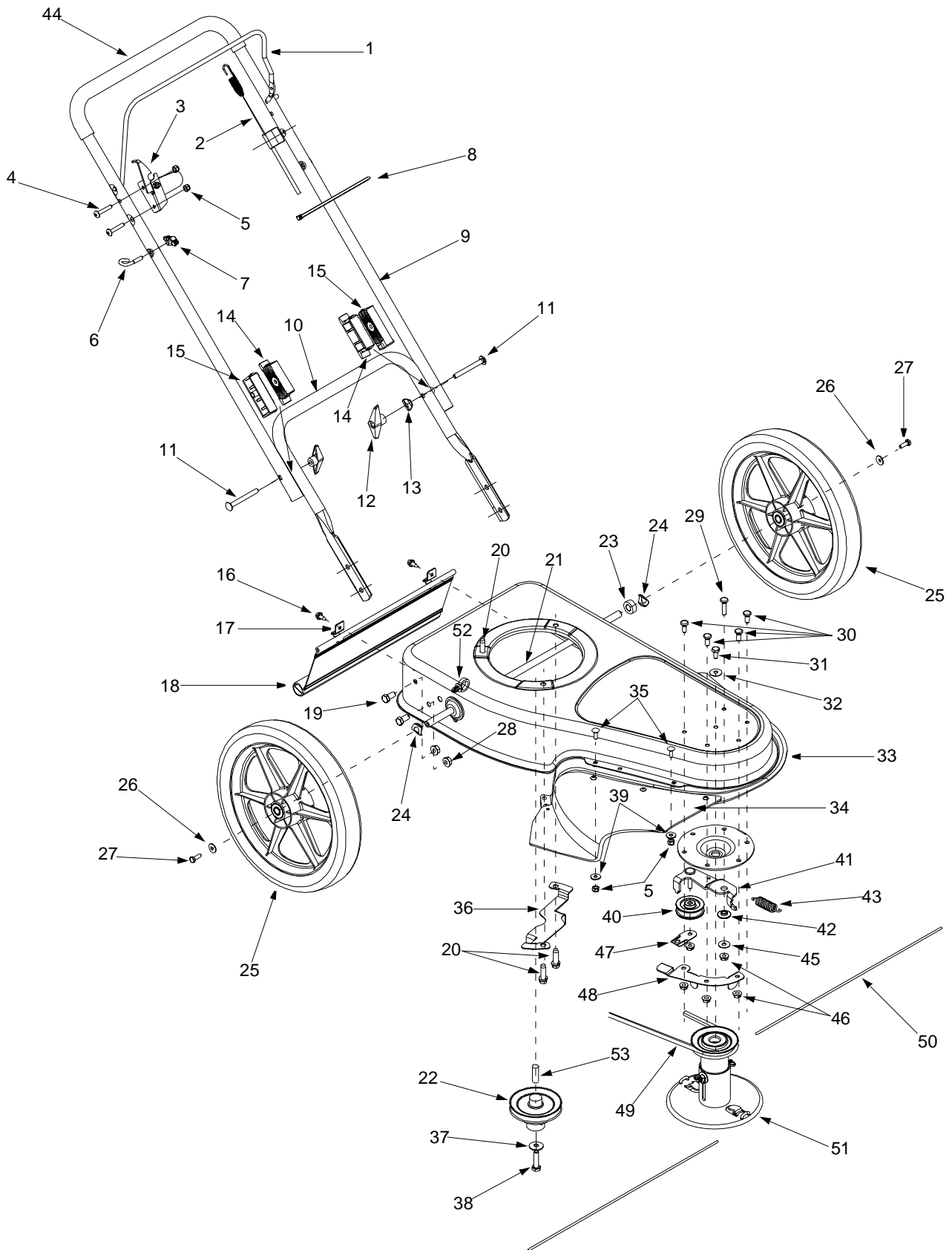


# Model 258



## Model 258

Ref. No.	Part No.	Part Description	Ref. No.	Part No.	Part Description
1.	747-0824	Control Lever	28.	712-3005	Flange Lock Nut 3/8-16
2.	746-1116A	Engagement Cable	29.	710-1694	Screw 5/16-18 x 1.25
3.	681-0166	Control Lock Bracket	30.	710-1307	Screw 5/16-18 x .75
4.	710-0578	Machine Screw 1/4-20 x 1.50	31.	710-0237	Hex Cap Screw 5/16-24 x .625
5.	712-0324	Hex Lock Nut 1/4-20	32.	736-0425	Bell Washer .325 ID x .930 OD
6.	710-1205	Eye Bolt 1/4-20	33.	681-0165	Trimmer Base Assembly
7.	720-0279	Wing Nut	34.	631-0096	Trimmer Deflector Assembly
8.	726-0240	Cable Tie	35.	710-0703	Hex Carriage Screw 1/4-20 x .75
9.	749-1255	Upper Handle	36.	781-1007	Belt Keeper Bracket Engine
10.	749-1254	Lower Handle	37.	736-0452	Bell Washer .396 ID x 1.14 OD
11.	710-0450	Carriage Screw 5/16-18 x 3.0	38.	710-0331	Hex Cap Screw 3/8-24 x 1.50
12.	720-0284	Wing Nut	39.	736-0173	Flat Washer .28 ID x .74 OD
13.	736-0451	Shoulder Washer .320 ID x .93 OD	40.	756-1198	Idler Pulley
14.	731-1267	Lower Handle Connector	41.	681-0181A	Idler Bracket Assembly
15.	731-1268	Upper Handle Connector	42.	750-1275	Idler Spacer
16.	710-0896	Hex Washer Screw 1/4-14 x .625	43.	732-1166	Extension Spring .50 Dia x 1.88 Lg
17.	782-9065	Trail Shield Clip	44.	720-0295	Handle Grip
18.	731-2329	Trail Shield	45.	736-0371	Flat Washer
19.	710-0216	Hex Cap Screw 3/8-16 x .750	46.	712-3004A	Flange Lock Nut 5/16-18
20.	710-0502A	Hex Washer Screw 3/8-16 x 1.25	47.	781-1028	Idler Keeper Bracket
21.	681-0159	Trimmer Axle	48.	781-1020	Belt Keeper Bracket Front
22.	756-1196	Flywheel Pulley	49.	754-0625	V-Belt
23.	750-1240	Spacer .51 ID x 1.0 OD	50.	OEM-743-0112	Trimmer Line .155 Dia
24.	736-0182	Spacer Washer .501 ID x 1.0 OD	51.	618-0558	Spindle Assembly
25.	734-1860	Wheel Assembly	52.	726-3055	Cable Retainer Clip
26.	736-0270	Bell Washer .265 ID x .75 OD	53.	750-04012	Spacer
27.	710-3015	Hex Cap Screw 1/4-20 x .75			