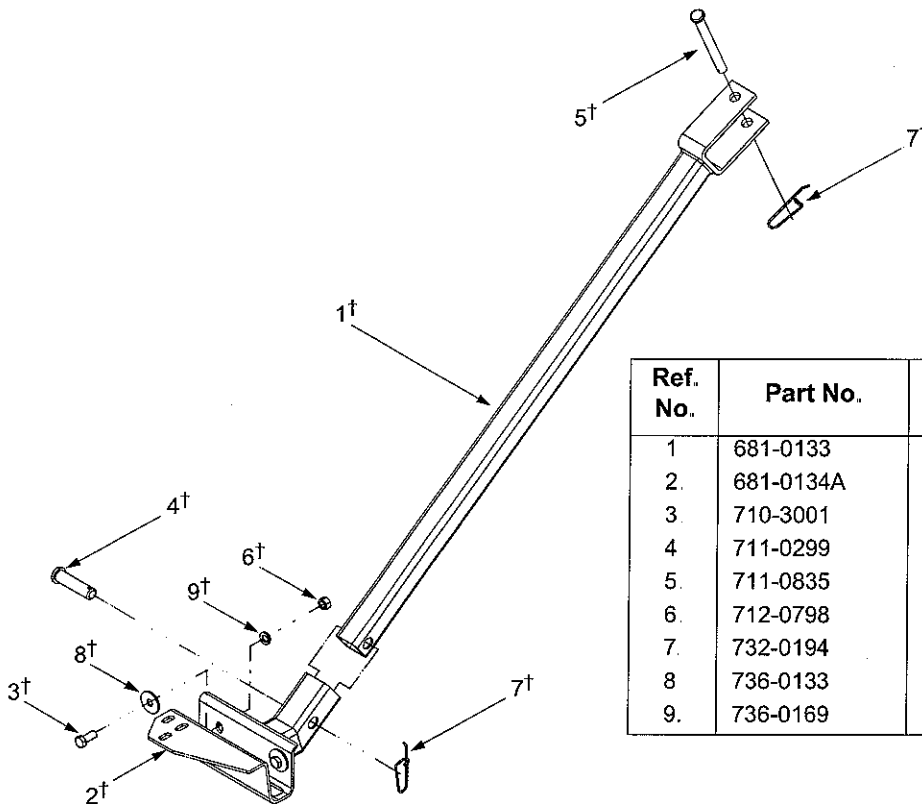
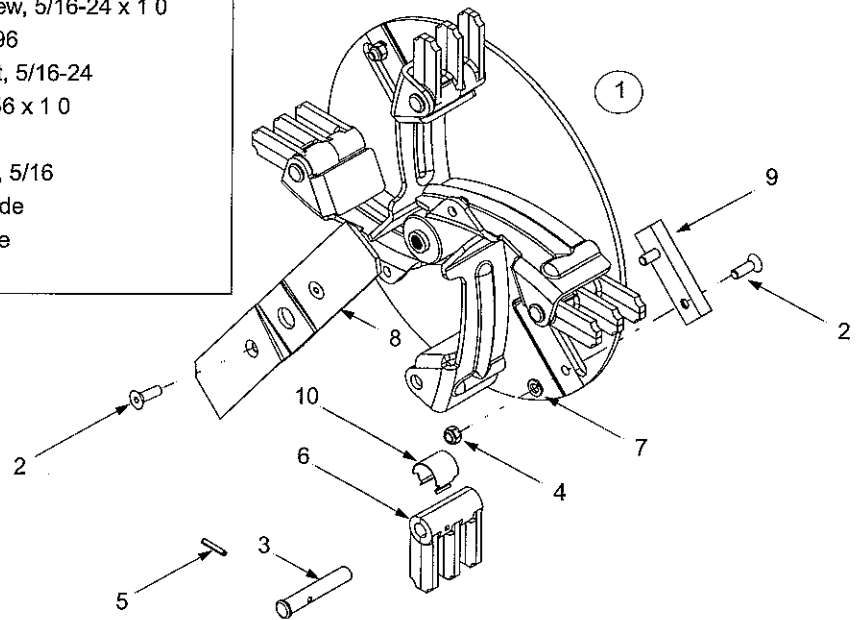


SECTION 7: PARTS LIST FOR MODELS CS4265 & CS4210

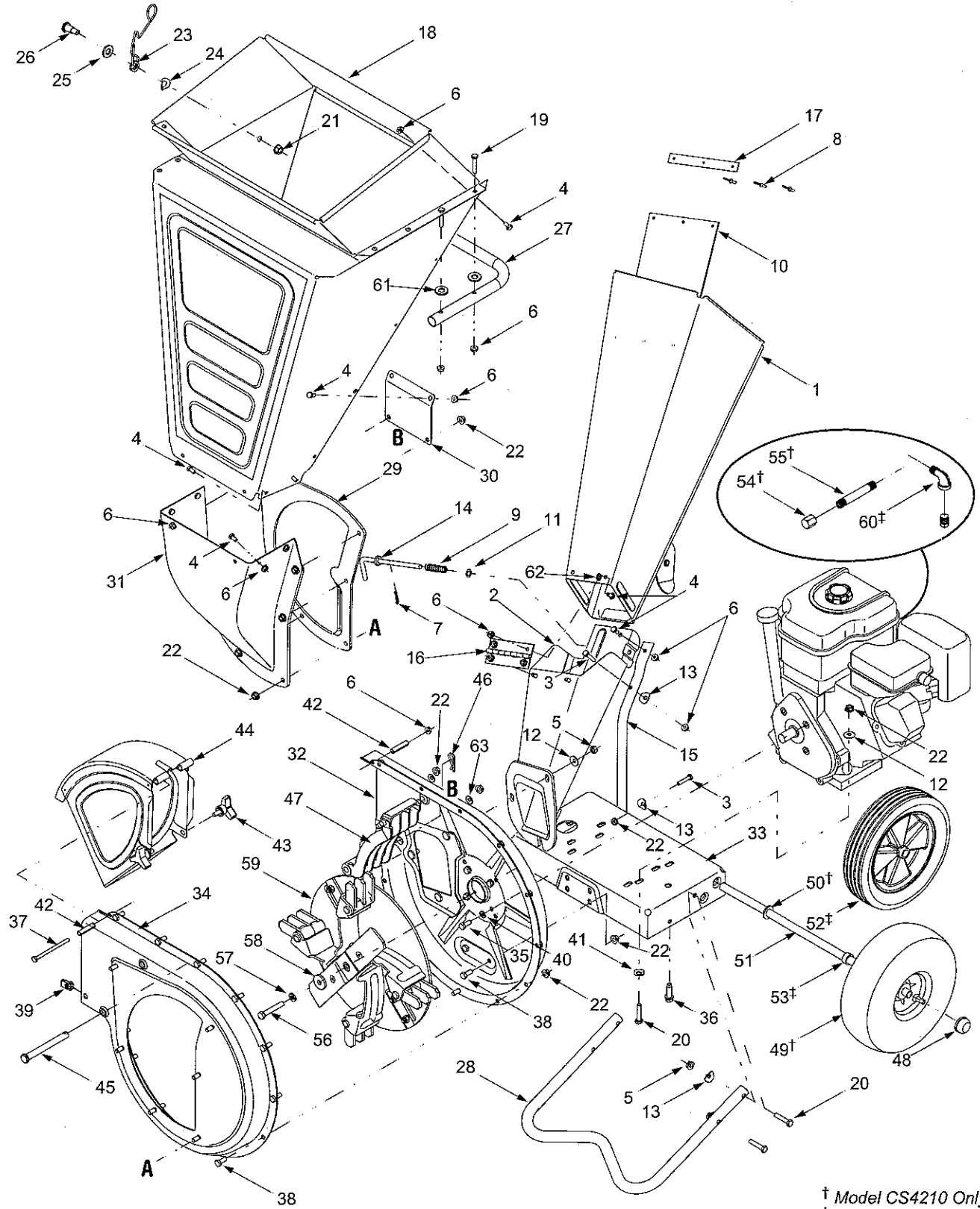
Ref. No.	Part No.	Part Description
1	681-04009	Impeller Assembly Complete
2	710-1054	Machine Screw, 5/16-24 x 1 0
3	711-0833B	Clevis Pin, 496
4	712-0411	Hex Lock Nut, 5/16-24
5	715-0166	Spiral Pin, 156 x 1 0
6	719-0329	Flail
7	736-0119	Lock Washer, 5/16
8	742-04050	Shredder Blade
9	742-0544	Chipper Blade
10.	781-0735	Retainer Clip



Ref. No.	Part No.	Part Description
1	681-0133	Tongue Hitch Mount
2	681-0134A	Base Hitch Mount
3	710-3001	Hex Cap Screw, 3/8-16 x 88
4	711-0299	Clevis Pin, 625 x 2.4
5	711-0835	Clevis Pin, 50 x 4 62
6	712-0798	Hex Nut, 3/8
7	732-0194	Spring Pin
8	736-0133	Flat Washer, 411 x 1.25 x 1.0
9	736-0169	Lock Washer, 3/8

† Model CS4210 Only

Models CS4265 & CS4210



† Model CS4210 Only
‡ Model CS4265 Only

Models CS4265 & CS4210

Ref. No.	Part No.	Part Description	Ref. No.	Part No.	Part Description
1.	681-04006	Upper Chipper Chute Assembly	34	681-04002	Outer Flail Housing Assembly
2.	681-04007	Lower Chipper Chute Assembly	35	710-0157	Hex Cap Screw, 5/16-24 x 75
3.	710-0106	Hex Cap Screw, 1/4-20 x 1.25	36	710-0502A	Hex Sems Screw, 3/8-16 x 1.25
4.	710-3013	Hex Cap Screw, 1/4-20 x 5	37	710-0825	Hex Cap Screw, 1/4-20 x 3.75
5.	712-3010	Hex Nut, 5/16-18	38	710-3025	Hex Cap Screw, 5/16-18 x 625
6.	712-3027	Hex Lock Nut 1/4-20	39	726-0211	U-Nut, 5/16-18
7.	714-0104	Cotter Pin	40	736-0119	Lock Washer, 5/16
8.	728-0175	Pop Rivet	41	736-0170	Special Lock Washer, 5/16
9.	732-0306A	Compression Spring, .531 x 1.75	42	750-0793	Hinge Spacer, 265 x 380 x 1.66
10.	735-0249A	Chute Flap	43	681-0048	Knob, 5/16-18
11.	736-0140	Flat Washer	44	681-0094	Chute Deflector Assembly
12.	736-0242	Bell Washer 340 ID x 872 OD	45	711-0835	Clevis Pin, 50 x 4.62
13.	736-0451	Washer, .320 ID x 93 OD	46	714-0149B	Internal Cotter Pin
14.	747-04163	Lock Rod	47	719-04070	Shredder Screen
15.	749-1004	Chipper Chute Support	48	726-0214	Push Cap, 5/8
16.	781-04032	Chipper Chute Hinge	49	734-1845	Wheel, 10 x 4 x 4
17.	781-0633	Chute Flap Strip	50	736-0366	Flat Washer, 625 x 1.0
18.	681-04011	Shredder Hopper Assembly	51	738-0813	Axle, 22 47"(CS4210)
19.	710-0809	Hex Cap Screw, 1/4-20 x 1.250		738-0814	Axle, 21 21"(CS4265)
20.	710-0805	Hex Cap Screw, 5/16-18 x 1.50	52	734-1600	Wheel, 10 x 2.5
21.	712-0431	Flange Lock Nut, 3/8-16	53	750-0786	Spacer, 64 x 88 x .38
22.	712-3004A	Flange Lock Nut, 5/16-18	54	737-0132	Oil Drain End Cap
23.	732-04167	Torsion Spring	55	737-0298	Oil Drain Pipe
24.	736-0182	Spring Washer, 50 x 1.0 x .022	56	710-1254	Hex Cap Screw, 3/8-24 x 2.25
25.	736-0326	Flat Washer, 50 x 1.0 x .0125	57	736-0217	Lock Washer, 3/8
26.	738-0430	Shoulder Screw, 3/8-16, 50 x 685	58	736-0247	Flat Washer, 406 x 1.25
27.	749-04103	Hopper Handle	59	681-04009	Impeller Assembly
28.	749-04104	Tube Support			(See page 13 for Impeller Parts)
29.	781-04007	Shredder Plate	60	737-0195	Elbow Fitting
30.	781-04027	Hopper Support Bracket	61	736-0173	Flat Washer, 28 x .74 x .063
31.	781-04033	Inlet Guide	62	726-0233	Push Nut, 25ID x .50OD
32.	681-0117	Inner Flail Housing Assembly	63	726-0201	Speed Nut, .3125ID
33.	681-0183A	Frame Assembly (CS4210)	—	664-04023	Debris Collection Bag (Not Shown)
	681-0184A	Frame Assembly(CS4265)	—	723-0400	Safety Glasses