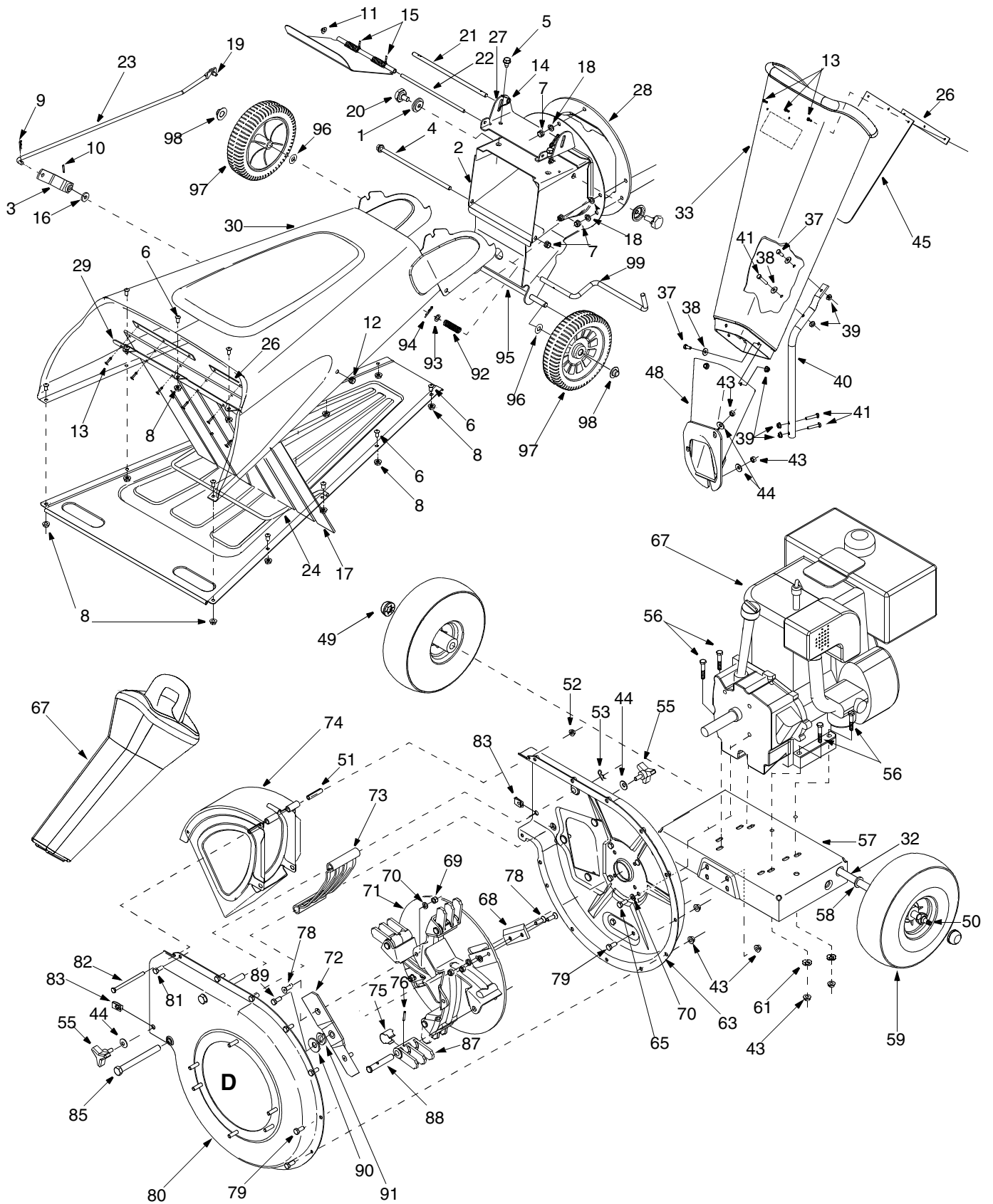


# SECTION 7: PARTS LIST FOR MODEL 494



# Model 494

Ref. No.	Part No.	Part Description	Ref. No.	Part No.	Part Description
1	11480	Stop Washer	50	734-0255	Air Valve
2	681-0118	Inlet Guide Assembly	51	750-0793	Chute Hinge Spacer
3	681-0144	Arm Bracket Assembly	52	712-3027	Hex Ctr. Lock Nut 1/4-20
4	710-0542	Hex Flange Bolt: 5/16-18 x 8.375"	53	714-0149B	Internal Cotter Pin
5	710-0607	Hex Washer Screw: 5/16-18 x 0.5"	55	720-0170	Hand Knob
6	710-3256	Button-Head Screw 1/4-20 x 0.5"	56	710-0805	Hex Bolt 5/16-18 x 1.5"
7	712-0429	Lock Nut: 5/16-18	57	781-0510B	Shredder Frame
8	712-3027	Hex Flange Lock Nut: 1/4-20	58	736-0366	Flat Washer 1.12 x .64 x .120
9	714-0104	Internal Cotter Pin	59	734-1797	Wheel Assembly
10	715-0129	Spiral Pin	61	736-0170	Special Lock Washer
11	726-0106	Cap Nut	63	681-0117	Flail Housing Ass'y. (Inner)
12	726-0135	Speed Cap Nut	65	710-0157	Hex Bolt 5/16-24 x .75" Lg.
13	728-0175	Pop Rivet	67.	731-1617	Tamper Plug (If Equipped)
14	732-0546	Torsion Spring	68	742-0544	Chipper Blade
15	732-0629	Hopper Door Spring	69	712-0411	Hex Top Lock Nut 5/16-24
16	735-0127	Rubber Washer	70	736-0119	Lock Washer 5/16" I.d.
17	735-0651	Hopper Flap	71	681-0030	Impeller assembly
18	736-0119	Lock Washer	72	742-0571	Shredder Blade
19	738-0137A	Shoulder Screw: .340 x .285 x 1/4-20	73	781-0457	Shredder Screen
20	738-0946	Shoulder Screw: .56 x .165 x 5/16-18	74	681-0094	Discharge Chute Assembly
21	747-0531A	Release Rod: 5/16" dia.	75	781-0735	Retaining Clip
22	747-0747	Hopper Door Rod	76	715-0166	Spring Roll Pin
23	747-1124	Flap Retaining Rod	78	710-1054	Flat Head Screw. 5/16-24 x .75"
24	747-1125	Flap Retaining Bail	79	710-3008	Hex Bolt 5/16-18 x .75"
25	781-0492A	Hopper Pivot Door	80	681-0004A	Flail Housing Ass'y. (Outer)
26	781-0633	Chute Flap Strip	82	710-0825	Hex Bolt 1/4-20 x 3.75"
27	781-0698	Hopper Lock Bracket	83	726-0211	U Nut 5/16-18
28	781-0715	Shredder Plate	85	711-0835	Clevis Pin
29	781-0752	Flap Mounting Bracket	87	719-0329	Flail Blade
30	781-0754	Upper Hopper	88	711-0833B	Clevis Pin
31	781-0755	Lower Hopper	89	710-1254	Hex Patch Bolt 3/8-24 x 2.25"
32	738-0813	Shredder Axle	90	736-0217	Lock Washer 3/8"
33	731-1899	Chipper Chute	91	736-0247	Flat Washer .406" I.d. x 1.25"
37	710-0751	Hex Bolt 1/4-20 x .625	92	732-0306	Compression Spring
38	736-0173	Flat Washer .28 I.d. x .74 O.d.	93	736-0117	Flat Washer
39	712-3027	Flanged Lock Nut	94	714-0104	Internal Cotter Pin
40	749-1004	Chipper Chute Support	95	711-1304	Axle Shaft
41	710-0106	Hex Screw. 1/4-20 x .625 (Gr. 2)	96	736-0160	Flat Washer
43	712-3010	Hex Nut 5/16-18 (Gr. 5)	97	634-04009	Complete Wheel: Grey
44	736-0242	Bell Washer .345" I.d. x .88"	98	726-0299	Push Cap
45	735-0249	Shredder Chute Flap	99	747-0982	Lock Rod
48	681-0068A	Chipper Chute Assembly	100	764-0430	Shredder Bag
49	726-0214	Push Cap 5/8" dia.			