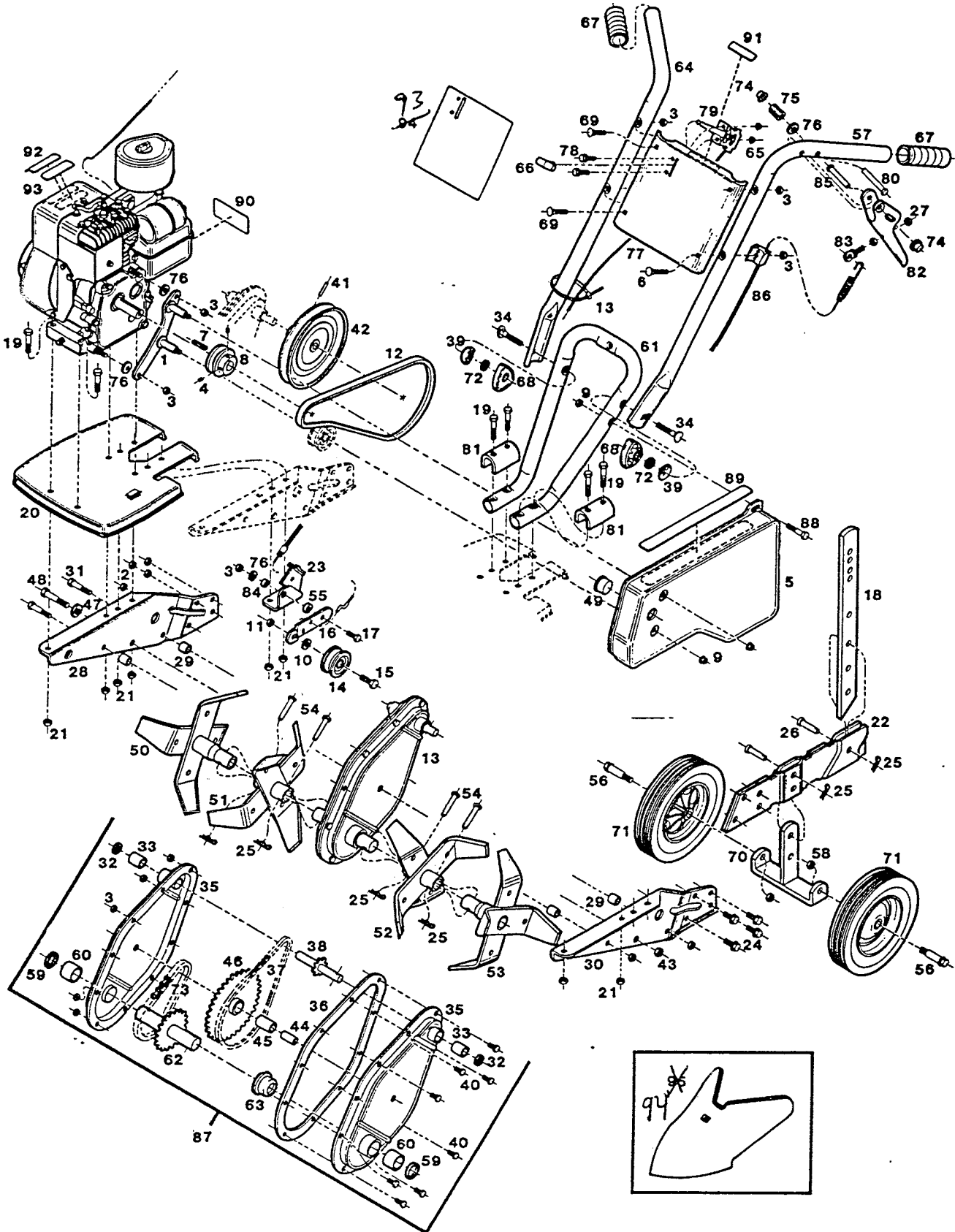


3 HP CHAIN DRIVE MINI TILLER
MODEL 23-3150G 521769
44-02416G 521948



**3 HP CHAIN DRIVE MINI TILLER
MODEL 23-3150G
44-02416G**

Ref. No.	Part No.	Description	Ref. No.	Part No.	Description
1	463687	Belt Guide Plate Assembly	50	786640	Tine & Hub Assembly - R.H. Outer
2	452193	Nut - Hex 5/6-18 Whizlock	51	786582	Tine & Hub Assembly - R.H. Inner
3	715508	Nut - Hex 1/4-20 Lock	52	786558	Tine & Hub Assembly - L.H. Inner
4	458844	Set Screw - Pulley	53	786616	Tine & Hub Assembly - L.H. Outer
5	570036	Belt Guard Assembly	54	488965	Pin-Clevis 5/16 X 1-1/4
6	450072	Bolt - Hex 1/4-20 X 1-1/2	55	552398	Decal-Tine Warning
7	446369	Key - 3/16 Sq. X 1-1/4	56	153668	Bolt - Wheel
8	618744	Pulley - Engine	57	731703	Handle - L.H.
9	715078	Nut - Hex 1/4-20 Whizlock	58	715086	Nut - Hex 3/8-16 Lock
10	461731	Washer	59	774760	Seal - Oil, Output Irg.
11	715524	Nut - Hex 3/8-16 Lock	60	423632	Bearing - Output Shaft
12	421321	Belt	61	555912	Yoke - Handle
13	432427	Transmission Assembly	62	417725	Output Shaft Assembly
14	672923	Idler Pulley Assembly	63	468249	Spacer - Tine Shaft
15	457176	Bolt - Hex 3/8-16X1 1/4	64	731711	Handle - R.H.
16	779165	Arm - Idler	65	715334	Nut - Hex 10-24 Keps
17	715045	Bolt - Hex 1/4-20 X 3/4	66	744037	Knob - Throttle Control
18	435289	Bar - Depth	67	751032	Grip - Handle
19	460311	Bolt - Hex 5/16-18 X 1-3/4	68	744284	Knob - Handle Retainer
20	570077	Hood - Tine	69	152363	Bolt - Carriage 1/4-20 X 1-1/4
21	715490	Nut - Hex 5/16-18 Lock	70	771600	Bracket Assembly - Wheel
22	771576	Bracket Assembly - Depth Bar	71	498634	Wheel - 8"
23	771386	Bracket Assembly - Idler Mtg	72	461665	Washer - Lock 5/16
24	459131	Bolt - Hex 5/16-18 X 1 Whizlock	73	425397	Chain - Roller, No. 420
25	715011	Hairpin Cotter	74	452128	Palnut - 1/4" Dia.
26	616532	Pin - Clevis 3/8 X 1-5/8	75	775130	Spring - Latch
27	452615	Nut - Hex 1/4-20 Elastic	76	460923	Washer - 1/4" Dia.
28	446914	Beam - Main Support, R. H	77	574376	Panel - Handle Bar
29	468256	Spacer - Beam	78	458687	Screw - Hex 10-24 X 1/2
30	446898	Beam - Main Support L. H	79	530220	Control - Throttle
31	150433	Bolt - Hex 1/4-20 X 2	80	489013	Pin - Clevis 1/4" Dia. X 1-3/4
32	774737	Seal - Oil, Input sml.	81	432963	Sleeve - Yoke Mounting
33	423608	Bearing - Input Shaft	82	731695	Lever - Control
34	151936	Bolt - Curved Head 5/16-18 X 2-1/4	83	450478	Bolt - Spade 1/4-20 X 3/4
35	432377	Weld Assembly - Transmission	84	468728	Spacer - Idler Arm
36	762039	Gasket - Transmission Housing	85	489005	Pin - Clevis 1/4" X 1-1/2
37	425389	Chain - Roller, No. 42	86	530121	Control Cable
38	417691	Input Shaft Assembly	87	451443	Nut - Hex 10-24 Lock
39	150201	Washer - Curved	88	459149	Eye Bolt - 1/4-20 X 2
40	715052	Bolt - Hex 1/4-20 X 1/2	89	775882	Spring Control
41	715193	Pin - Roll 3/16 X 1-1/4	90	459248	Screw - 10-24 X 3/8
42	419689	Pulley Assembly	91	110379	Cable Tie
43	715441	Nut - Hex 3/8-16 Whizlock	92	156174	Spacer
44	432971	Sleeve - Bearing	93	552521	Decal - Handle Panel
	434969	Sprocket Assembly w/bearing (includes 45 and 46)	95	551648	Decal - Caution
45	423624	Bearing - Center Hub	96	551689	Decal - Control
46	434829	Sprocket & Hub Assembly	97	551713	Decal - Hand Placement
47	461780	Washer - 3/8 T-Lock	98	551846	Decal - Caution Disengage
48	459032	Bolt - Hex 3/8-16 x 2-1/4			
49	156190	Cup - Shaft Cover			
			OPTIONAL EQUIPMENT		
			94	465856	Furrowing Kit
				432849	Gear Lube 8 oz. (not shown)

NOTE: Parts are right and left hand as viewed from operator position.
Specifications subject to change without prior notice.