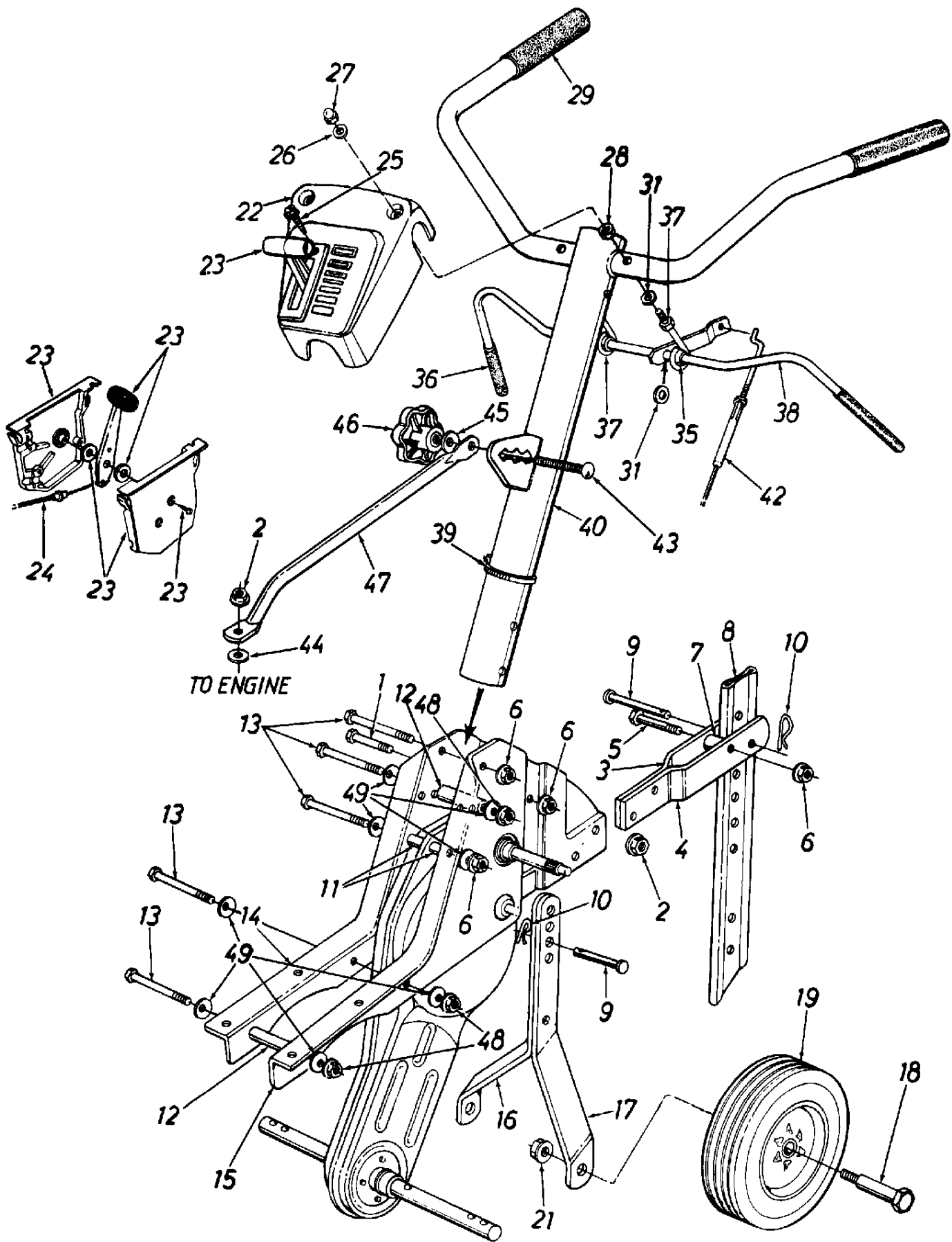


Ref #	Part Number	Qty	Description
1	786-0036		Belt Cover
2	736-3020		FI-Wash..266" I.D. x .625" O.D.
3	712-340-000 (1993)		Hex Wash. Hd. TI-Tap Scr. 1/4-20 x .5" Lg.
3	712-0599		Engine And Tine Assembly
4	712-0392		Hex L-Stop Nut 1/4-28 Thd.
5	712-3004A		Hex Flange Top L-Nut 5/16-18 Thd. (Gr. 5)
6	786-0035		Tine Shield
7	710-0118		Hex Bolt 5/16-18 x .75" Lg.
8	711-0919		Belt Cover Bolt
10	736-0171		L-Wash. 7/16" 1.0.
11	710-0380		Hex Bolt 5/16-18 x 1.75" Lg.
12	751-0360A		Casing Clamp
13	710-0899A		Hex Sems Scr. #10-32 x .62" Lg.
14			Engine
15	736-0170		Spec. L-Nut 5/16" i.O.
16	711-0599		Clevis Pin .375" Dia. x 1.75" Lg.
17	714-0149B		Internal Cotter Pin
18	642-0005		Outer Tine Ass'y.- L.H.
	642-0004		Outer Tine Ass'y.- R.H. (Not Shown)
19	642-0003		Inner Tine Ass'y.- L.H.
	642-0002		Inner Tine Ass'y.- R.H. (Not Shown)
20	686-0009		Chain Case Ass'y. Comp. (Available Only as Comp. Ass'y.)
21	736-0119		L-Wash. 5/16" I.D.
22	710-0107		Hex Bolt 5/16-24 x .5" Lg.
24	710-0191		Hex Bolt 3/8-24 x 1,25" Lg.
26	756-0972		Outer Engine Pulley Half
27	756-0971		Inner Engine Pulley Half
28	756-0585		FI-Pulley 6" Dia.
30	754-0428		"V" Belt
31	748-0350		Pulley Mounting Adapter
32	736-0112		Bell-Wash..535" I.D. x 1.5" O.D.
33	712-3029		Hex Jam Nut 1/2-20 Thd. (Gr. 5)
34	738-0102		Shld. Bolt .498" Dia. x 1.45" Lg.
35	786-0039		Belt Cover Brkt.
38	756-0313		FI-Idler 2.12" O.D.
39	710-0723		Hex Cap Bolt 3/8-16 x 1,25" Lg.
40	712-0266		Hex Cent. Jam Nut 3/8-16 Thd.
41	750-0892		Spacer .64" 1.0. x 2.4" Lg.
42	686-0011		Tine Idler Brkt. Ass'y.
43	756-0199		FI-Idler 2" O.D.
44	710-0783		Hex Self-Tap Scr. #8-32 x .38" Lg.
45	751-0233		Muffler Deflector
46	746-0879		Clutch Control Cable
48	735-0639		Spark Plug Boot (Optional)
50	736-0169		L-Wash. 3/8" I.D.
51	736-0258		FI-Wash. 3/8" I.D. x 1" O.D.
52	786-0047		Engine Plate
53	786-0053		Tine Shield Support
54	712-0240		Hex Nut 7/16-20 Thd.
55	712-3010		Hex Nut 5/16-18 Thd.
56	736-0312		Bearing Retainer Washer



Ref #	Part Number	Qty	Description
1	710-0874		Hex Bolt 5/16-18 x 1.25" Lg.
2	712-3004A		Hex Flange L-Nut 5/16-18 Thd. (Gr. 5)
3	786-0004		Tail Piece Brkt. (R.H.)
4	786-0003		Tail Piece Brkt. (L.H.)
5	710-0442		Hex Bolt 5/16-18 x 1.5" Lg.
6	712-3004A		Hex Flange L-Nut 5/16-18 Thd. (Gr. 5)
7	750-0890		Spacer .32" I.D. x .75" O.D.
8	786-0005		Depth Bar
9	711-0599		Clevis Pin .375" I.D. x 1.75" Lg.
10	714-0149B		Internal Cotter Pin
11	750-0470		Spacer .326" I.D. x .47" O.D.
12	750-0885		Spacer .322" I.D. x .44" O.D.
13	710-0176		Hex Bolt 5/16-18 x 2. T5" Lg.
14	786-0028		Frame - R.H.
15	786-0029		Frame - L.H.
16	786-0002		Wheel Hanger Brkt.- R.H.
17	786-0001		Wheel Hanger Brkt.- L.H.
18	738-0533		Shld. Bolt .498" Dia. x 1.64" Lg.
19	734-1169		Wheel Ass'y. 8" x 1.T5"
20	710-3094		Hex Bolt 3/8-16 x 1" Lg. (Gr. 8)
21	712-3005		Hex Flange L-Nut 3/8-16 Thd. (Gr. 5)
22	731-1286		Handle Cover
23	831-0823A		Throttle Control Box Ass'y.
24	746-0891		Throttle Control Wire 30.5" Lg.
25	710-0779A		Truss Mach. AB-Tap Scr. #10 x .5" Lg.
26	736-3020		FI-Wash..266" I.D. x .625" O.D.
27	712-0392		Hex L-Stop Nut 1/4-28 Thd.
28	712-0138		Hex Nut 1/4-28 Thd.
29	720-0268		Grip - Handle
31	736-0140		FI-Wash..385" I.D. x .62" O.D.
35	741-0475		Plastic Bushing .38" I.D.
36	720-0269		Grip - Clutch
37	747-0815		Clutch Handle Eye Bolt
38	686-0008		Clutch Handle Ass'y.
39	726-0317		Cable Tie 9" Lg.
40	649-0001		Longhorn Handle Ass'y.
42	746-0879		Clutch Control Cable
43	710-1236		Carr, Bolt 5/16-18 x 1" Lg. (Special)
44	736-0123		FI-Wash..344" I.D. x 1.12" O.D.
45	736-0242		Bell-Wash..345" 1.0. x .88" O.O.
46	720-0195		Hand Knob
47	749-0915		Engine Tubing Brace
48	712-0429		Hex L-Nut 5/16-18 Thd.
49	736-0242		Bell-Wash..345" I.D. x .88" O.D.