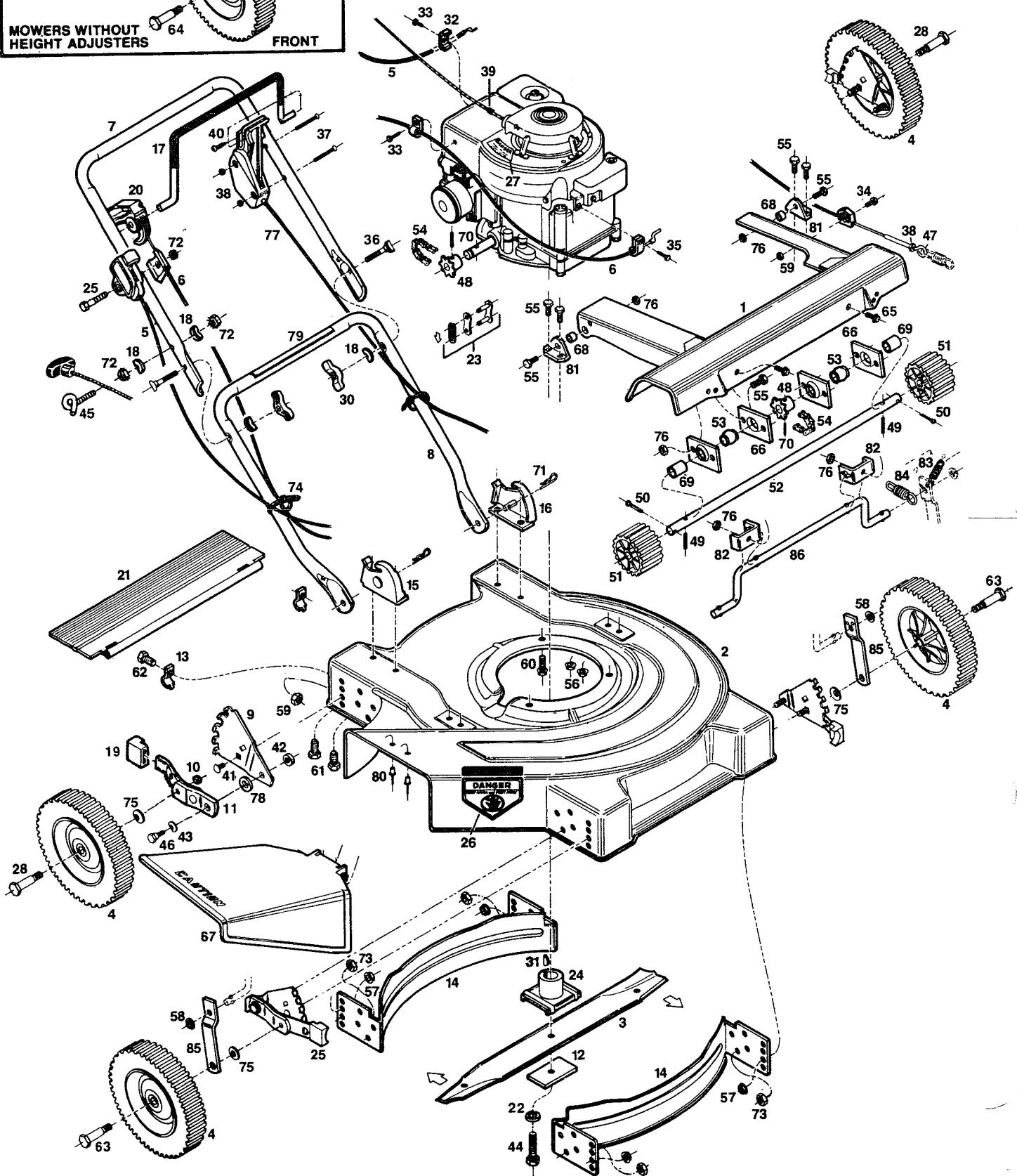
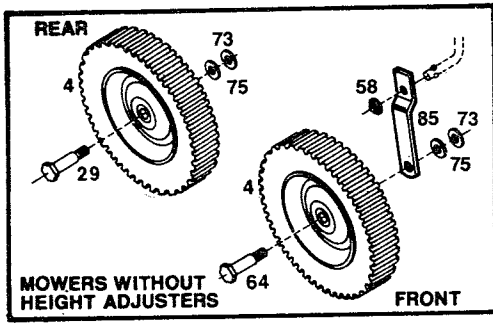


22" Side Discharge Self-Propelled Rotary Mower

Models: 21-2251F
21-2261F

Use: Grass Catcher Model 30-0215 (160747)
Replacement Bag (501882)



22" Side Discharge Self-Propelled Rotary Mower

Models: 21-2251F
21-2261F

Use: Grass Catcher Model 30-0215 (160747)
Replacement Bag (501882)

Index No.	Part No.	Description	Index No.	Part No.	Description
1	012831	Cover Assembly w/o Ht. Adj.	44	157255	Blade Bolt
	012823	Cover Assembly w/Ht. Adj.†	45	152371	Rope Guide
2	013375	Deck—22"	46	156125	Shoulder Bolt - Ht. Adj.†
3	030353	Blade 22" Offset	47	153890	Eye Bolt
4		Wheel Assemblies•	48	170142	Sprocket - 8 Tooth
	041095	Wheel - 8" Steel	49	314096	Roll Pin 3/16 x 1-1/4
	041400	Wheel - Plastic	50	317016	Cotter Pin 1/8 x 1
5	051219	Control - Throttle, Plastic	51	416693	Pinion
6	051490	Control - Engine/Blade*	52	417741	Shaft - w/o Ht. Adj.
7	071092	Handle - Upper		417766	Shaft - w/ Ht. Adj.†
	071100	Handle - Upper, Cushioned	53	423319	Bearing - Spherical
8	071563	Handle — Lower	54	425306	Chain
9	090589	Back Plate - Ht. Adj.†	55	449587	Bolt - Hex Head 1/4-20 x 5/8
10	715524	Locknut - 3/8-16 Jam†	56	451419	Nut - Top Lock Flange 1/4-20
11	091033	Wheel Arm Assembly†	57	451492	Nut - Top Lock Flange 3/8-16
12	106005	Washer - Blade Adapter	58	452250	Push Nut
13	106914	Clip - Trailing Shield	59	452318	Nut - Nylon Insert #10-24
14	106963	Baffle - Deck	60	457168	Bolt - Thread Form 3/8-16 x 7/8
15	107086	Handle Bracket - R.H.	61	457499	Bolt - Thread Form 1/4-20
16	107094	Handle Bracket - L.H.	62	458687	Bolt - #10-24 x 1/2
17	097725	Ctrl - Engine/Blade Crossbar Cushioned*	63	156166	Wheel Bolt - Front w/Ht. Adj.†
18	150201	Washer-Curved 5/16	64	150730	Wheel Bolt - Front w/o Ht. Adj.
19	112540	Plastic tip - Ht. Adj.†	65	459206	Bolt - Flange Head 1/4-20 x 5/8
20	111526	Cable Actuator	66	463778	Bearing Plate
21	111609	Trailing Shield - 22" w/o Ht. Adj.*	67	463950	Deflector Assembly*
	111617	Trailing Shield - 22" w/Ht. Adj.*†	68	468355	Spacer - Pivot
22	156919	Lockwasher-3/8 HD Split	69	468397	Spacer - w/o Ht. Adj.
23	120295	Master Link #65		468405	Spacer - w/Ht. Adj.†
24	126466	Blade Adapter	70	715193	Roll Pin 3/16 x 1
25	153874	Bolt - 1/4-20 x 2 1/4 Hex	71	715011	Hitch Pin #3
26	144063	Decal - C.P.S.C. Danger	72	715037	Nut - Keps 1/4-20
27	001461	Decal - Blade Warning	73	715417	Washer-3/8
28	150730	Shoulder Bolt - Rear w/Ht. Adj.†	74	110379	Cable Tie
29	156158	Shoulder Bolt - Rear w/o Ht. Adj.	75	715607	Washer - 3/8 Belleville
30	150235	Wingnut 5/16-18	76	715508	Nut - Top Lock 1/4-20
31	150276	Woodruff Key #6	77	051607	Control - Ground Drive
32	150318	Cable Clamp	78	156877	Washer - 3/8 Hardened†
33	150623	Screw Hex Head Sht. Metal #10 x 5/8	79	144899	Decal - Starting Instructions
34	151522	Bolt #10-24 x 3/8	80	764290	Rivet - Pop 3/16
35	151613	Bolt - Hex Head Sems	81	769067	Bracket - Pinion Tube
36	151936	Bolt - Curved Head Sq.	82	771691	Bracket
37	151944	Bolt - Oval Head Machine #10-24 x 2	83	775817	Spring - Pinion Assy'y
38	151985	Nut - Hex #10-24	84	775858	Spring - Drive Control
39	152074	Rope Stop	85	778696	Actuator Arm w/Ht. Adj.†
40	152181	Screw - Bail Retaining		108878	Actuator Arm w/o Ht. Adj.
41	152405	Bolt - Carriage 3/8-16 x 3/4†	86	783605	Rod - Engagement w/o Ht. Adj.
42	156182	Washer - Plastic†		783613	Rod - Engagement w/Ht. Adj.†
43	152421	Spring Washer†			

NOTE: PARTS ARE RIGHT OR LEFT HAND AS VIEWED FROM THE OPERATOR POSITION

SPECIFICATIONS SUBJECT TO CHANGE WITHOUT PRIOR NOTICE

• INDICATES OPTIONAL EQUIPMENT

+ INDICATES MODEL 21-2261 ONLY