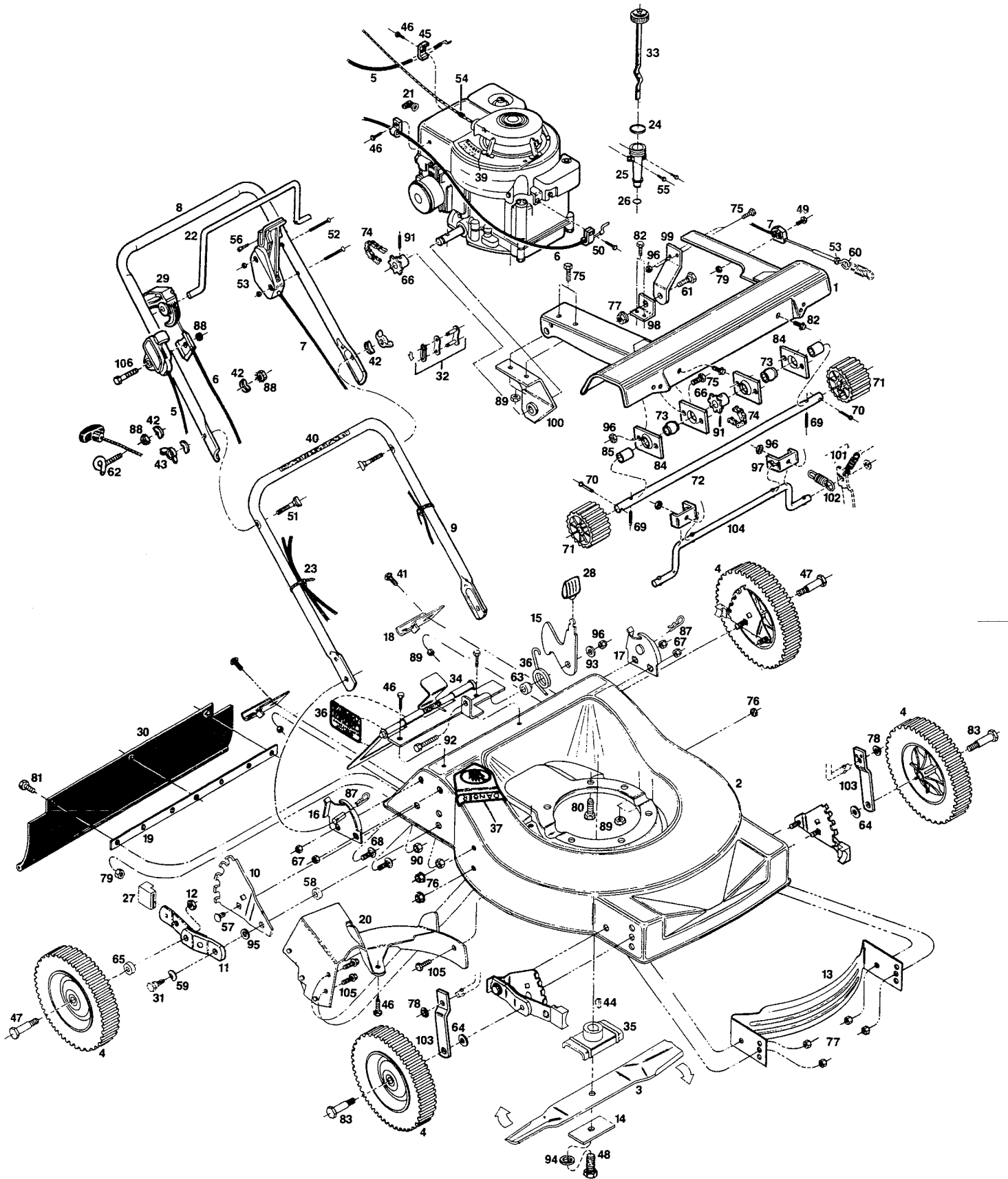


# 21" Rear Bagging Self-Propelled Rotary Mower Model: 21-2181F

Use: Grass Catcher (see page 31)



# 21" Rear Bagging Self-Propelled Rotary Mower Model: 21-2181F

Use: Grass Catcher (see page 31)

Index No.	Part No.	Description	Index No.	Part No.	Description
1	024604	Drive Cover	51	151928	Bolt—Curved Head Crg 5/16-18 x 1-3/4
2	013557	Deck-21" Red	52	151944	Bolt —Oval HD Mach., #10-24 x 2
3	030338	Blade 21"	53	151985	Nut—Hex, #10-24
4		Wheel Assemblies•	54	152074	Rope Stop
	040303	8" Plastic—White—Cog—Roller Bearing	55	152082	Shoulder Screw—Oil Dip Stick•
	040741	8" Plastic—White—Cog—Nylon Bearing	56	152181	Screw—Bail Retaining
	041103	8" Steel—White—Cog—Bail Bearing	57	152405	Bolt—Carriage 3/8-16 x 3/4
5	051227	Control—Throttle w/Cable	58	156182	Washer—Plastic—Height Adjuster
6	051532	Cable—Engine/Blade Control*	59	152421	Washer—Spring—Height Adjuster
7	051623	Drive Control	60	153890	Eyebolt—10-24 x 2
8	071092	Handle—Upper	61	153643	Shoulder Bolt
	071100	Handle—Upper with Cushion Grip•	62	152371	Rope Guide
9	071449	Handle—Lower	63	152637	Spacer—Catcher Latch
10	090589	Back Plate—Height Adjuster	64	715607	Washer-3/8 Belleville
11	091033	Wheel Arm Assy.	65	152686	Spacer—Rear Wheel
12	715524	Locknut—3/8-16 Jam	66	170142	Sprocket—8 Tooth
13	105825	Baffle—Front	67	310151	Locknut—5/16-18 Nylock
14	106005	Blade Washer	68	450346	Bolt—5/16-18 x 3/4
15	108324	Catcher Latch	69	314096	Rollpin 3/16 x 1-1/4
16	097162	Handle Bracket—Right Hand	70	317016	Cotter Pin 1/8 x 1
17	097170	Handle Bracket—Left Hand	71	416693	Pinion
18	109546	Catcher Frame Bracket	72	417741	Shaft
19	109496	Backing Strip—Trailing Shield*	73	423319	Bearing
20	127191	Baffle Assembly—Rear	74	425306	Chain
21	110833	Cover—Spark Plug	75	449587	Bolt—Hex, 1/4-20 x 5/8
22	097725	Bail—Engine/Blade Control*	76	451419	Locknut 1/4-20 Flanged Top
23	110379	Cable Tie	77	451492	Nut—3/8-16
24	110494	'O'-Ring•	78	452250	Push Nut—3/8
25	111112	Oil Fill Tube•	79	452318	Nut #10-24 Hex Nylon Insert
26	111120	'O'-Ring•	80	457168	Bolt—3/8-16 x 7/8 Thread Forming
27	112540	Plastic Tip—Height Adjuster	81	458687	Bolt—Hex Head 10-24 x 1/2
28	111724	Knob—Catcher Latch	82	459206	Bolt 1/4-20 x 5/8
29	111526	Actuator—Engine Control	83	156166	Shoulder Bolt—Wheel Front
30	111625	Trailing Shield*	84	463778	Bearing Plate
31	156125	Bolt—Shoulder	85	468397	Spacer
32	120295	Master Link #65	86	714170	Decal—Rating Plate
33	125237	Oil Dip Stick and Cap•	87	715011	Hitch Pin #3
34	127167	Door Assembly*	88	715037	Locknut 1/4-20 Keps
35	126466	Blade Adapter	89	715078	Nut 1/4-20 Flange Whiz
36	133371	Torsion Spring—Catcher Latch	90	153874	Bolt—1/4-20 x 2 1/4 Hex
37	143115	Decal—Danger*	91	715193	Rollpin 3/16 x 1
38	002451	Decal—Door Caution*	92	715292	Bolt—Hex Head 1/4-20 x 1
39	001461	Decal—Blade Warning*	93	715300	Washer 1/4"
40	144899	Decal—Starting Instructions	94	156919	Lockwasher 3/8 HD Split
41	150011	Bolt—Carriage 1/4-20 x 5/8 Gr. 5	95	156877	Washer—3/8 Hardened
42	150201	Washer—Curved 5/16	96	715508	Locknut 1/4-20 Top
43	150235	Wing Nut 5/16-18	97	771691	Bracket
44	150276	Woodruff Key No.6	98	109058	Bracket—Pivot
45	150318	Cable Clamp	99	109017	Bracket—Arm
46	150623	Screw—Hex Head Sheet Metal #10 x 5/8	100	108951	Bracket—R.H.
47	156133	Shoulder Bolt—Wheel Rear	101	775817	Spring
48	157255	Bolt—Blade 3/8-24 x 1 1/4	102	775858	Spring—Drive Control
49	151522	Bolt #10-24 x 3/4	103	778696	Arm—Actuator
50	151613	Bolt—Hex Head SEMS 10-32 x 3/8	104	783605	Rod—Engagement
			105	156851	Bolt—1/4-20 x 3/8 SH HD

**NOTE: PARTS ARE RIGHT OR LEFT HAND AS VIEWED FROM THE OPERATOR POSITION**

**SPECIFICATIONS SUBJECT TO CHANGE WITHOUT PRIOR NOTICE**

• INDICATES OPTIONAL EQUIPMENT

APPROXIMATE CUTTING HEIGHTS 1 1/8" TO 3 1/8"