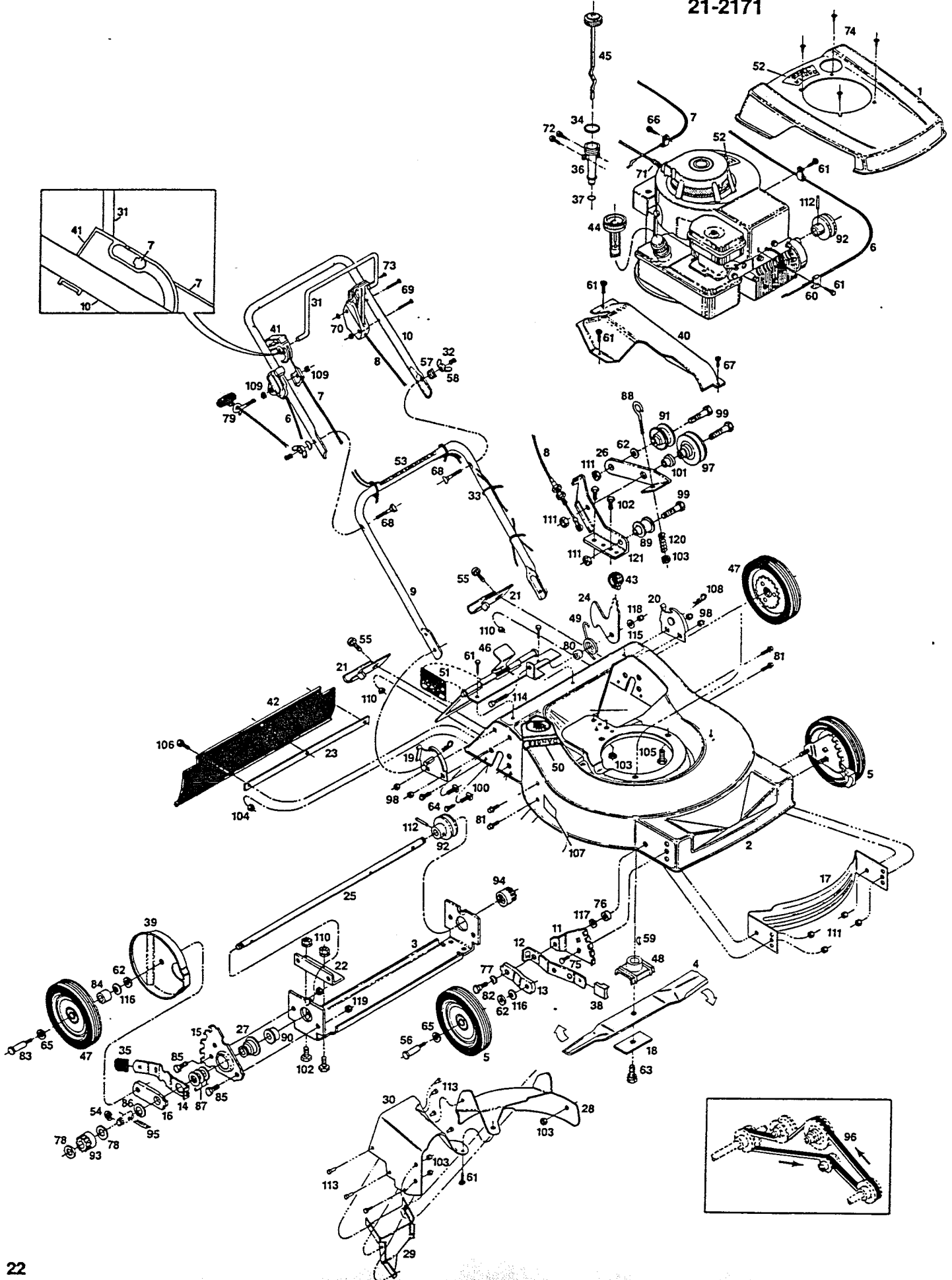


# 21" Self Propelled Rear Bagger

21-2171



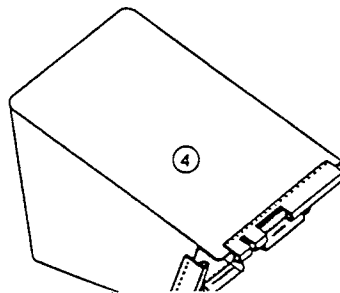
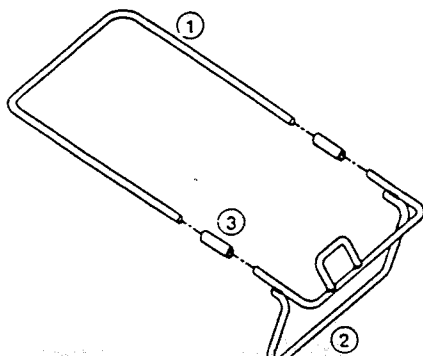
# PARTS LIST

225581

# 21" Self Propelled Rear Bagger 21-2171

Index No.	Part No.	Description
1	026807	Shroud - Steel
2	029264	Deck
3	029314	Drive support bracket
4	030338	Blade 21" offset
5	041111	Wheel 8" x 1.75 offset
6	050666	Throttle control
7	050724	Cable - engine/blade control*
8	050757	Cable - ground drive
9	071449	Handle - lower
10	071092	Handle - upper
	071100	Handle - upper cushioned*
11	090589	Back plate - front
12	090613	Setting lever - front
13	090712	Wheel lever - front
14	090746	Setting lever - rear
15	090761	Back plate - rear
16	090787	Wheel lever - rear
17	105825	Baffle - front
18	106005	Blade washer
19	106807	Handle bracket - R.H.
20	106815	Handle bracket - L.H.
21	106930	Catcher hook
22	107128	Drive support mtg. brkt.
23	107151	Backing strip
24	106716	Latch - rear bagger
25	107177	Drive shaft
26	107193	Idler arm
27	107276	Stepped sleeve
28	107284	Curved baffle
29	107292	Lower baffle
30	107300	Upper baffle
31	107367	Control - engine/blade crossbar
	107375	Control - engine/blade crossbar coated*
32	110064	Plastic bolt cap*
33	110379	Cable tie
34	110494	O-ring*
35	110510	Plastic tip - rear ht. adj.
36	111112	Oil fill tube *
37	111120	O-ring*
38	111260	Plastic tip - fr. ht. adj.
39	111500	Dust cover - wheel*
40	111518	Belt cover*
41	111526	Cable actuator
42	111633	Vinyl - trailing shield*
43	111369	Knob - round
44	120014	Gas gauge*
45	125237	Oil dip stick and cap*
46	126837	Door assembly
47	127142	Geared wheel assembly
48	126466	Blade adapter
49	133371	Torsion spring - catcher latch
50	143115	Decal - C.P.S.C. danger
51	144162	Decal - door caution
52	144204	Decal - blade warning
53	144899	Decal - starting instructions
54	789883	E-ring
55	150011	Carriage bolt 1/4-20 x 3/4
56	150060	Wheel bolt
57	150201	Curved washer - 5/16
58	150235	Wing nut 5/16-18
59	150276	Woodruff key #6

Index No.	Part No.	Description
60	150318	Cable clamp
61	150623	Bolt slotted hex #10 x 3/4
62	150771	Washer 3/4 I.D. x 3/4 O.D.
63	150862	Bolt - blade
64	151100	Self tap screw 1/4-20 x 3/4
65	151449	Washer - whl. retaining
66	151613	Bolt - hex head sems #10-32 x 3/4
67	151621	Screw - self drilling #6-20 x 1/2
68	151936	Curved head bolt 5/16-18 x 2.25
69	151944	Bolt - oval head machine, #10-24x2
70	151985	Nut - hex #10-24
71	152074	Rope stop
72	152082	Shoulder screw - oil dip stick*
73	152181	Screw - bail retaining
74	152199	Self tap screw - #6 x 1/2*
75	152405	Bolt - carriage 3/4-16 x 3/4
76	152413	Washer - plastic 3/4 x 11/32 x .095
77	152421	Washer - spring
78	152553	Thrust washer - 1/2
79	152629	Rope guide
80	152637	Spacer - rear bagger latch
81	152660	Bolt - hex washer head 1/4-20 x 1/2
82	153643	Bolt - shoulder
83	153783	Wheel bolt - rear
84	153791	Spacer - rear wheel
85	153817	Bolt - shvd head 3/4-16 x 1/2
86	153841	Snap ring 3/4
87	153858	Spring washer 3/4
88	153908	Eye bolt
89	170456	Pulley - 3/8" bore
90	170464	Bearing - flange, ball
91	170530	Pulley - ext hub, 3/8" bore
92	170670	Pulley - drive, 1/2" bore
93	170787	Pinion - ratchet R.H.
94	170795	Pinion - ratchet L.H.
95	170811	Drive pawl
96	170829	V-belt
97	170878	Idler - pulley
98	310151	Nut - nylon insert, 5/16 - 18
99	312322	Bolt - hex hd., 3/4-16 x 1.75
100	313510	Bolt 5/16-18 x 1/2
101	326348	Shouldered spacer
102	449587	Bolt - hex hd, 1/4-20 x 3/4
103	451419	Nut - TL flange 1/4-20
104	452318	Nut - hex nylon insert #10-24
105	457168	Bolt - thread form 3/4-16 x 3/4
106	525337	Bolt - hex #10-24 x 1/2
107	714170	Decal - rating plate
108	715011	Hitch pin #3
109	715037	Nut - keps, 1/4 - 20
110	715078	Nut - flange whiz, 1/4 - 20
111	715086	Locknut - hex, 3/4 - 16
112	715193	Roll pin 3/16 x 1
113	715276	Pop rivet 1/4 x 1/4
114	715292	Bolt - hex hd., 1/4 - 20 x 1
115	715300	Washer - flat, 1/4"
116	715409	Washer - belleville 3/4
117	715417	Washer - 3/4 S.A.E.
118	715508	Nut - top lock, 1/4 - 20
119	715524	Jam nut, 3/4-16
120	776468	Spring - compression
121	029298	Idler - cable mtg. bracket



## GRASS CATCHER

INDEX NO.	PART NO.	DESCRIPTION
1	102640	CATCHER HOOP
2	106450	CATCHER FRAME
3	151464	CONNECTOR
4	160598	CATCHER BAG*