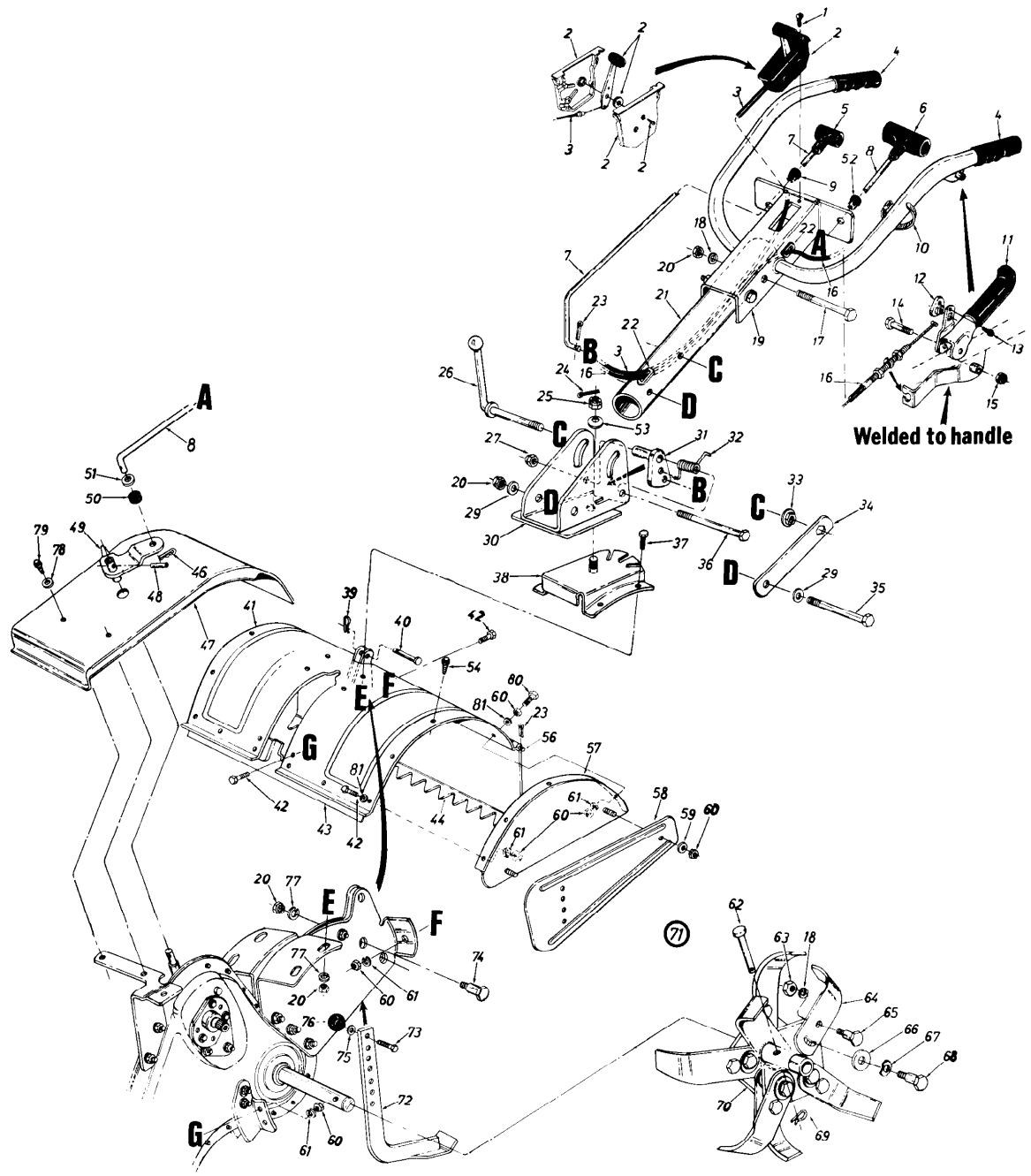
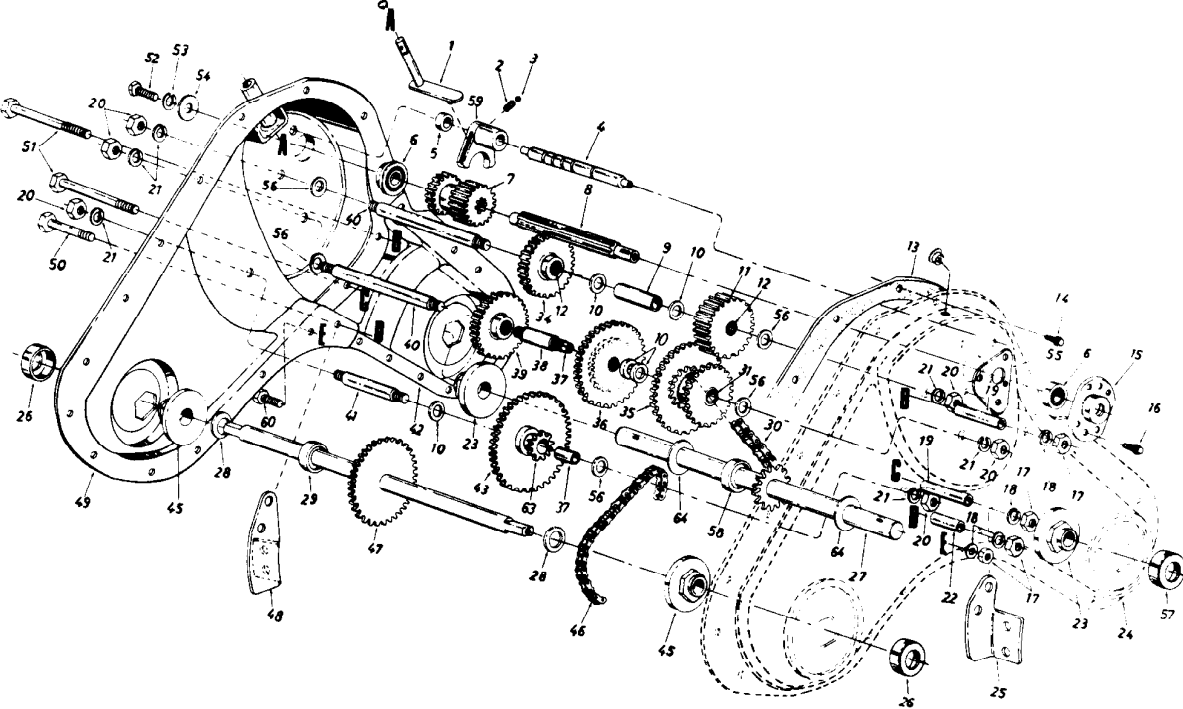


Ref #	Part Number	Qty	Description
1			Engine
2	784-0199A		Belt Cover Mounting Brkt.
3	710-0253		Hex Bolt 3/8-16 x 1.00" Lg.
4	784-0178		Tine Shield Mtg. Brkt.- R.H.
5	784-0177		Tine Shield Mtg. Brkt.- L.H.
6	736-0169		L-Wash. 3/8" I.D.
7	712-0798		Hex Nut 3/8-16 Thd.
8	736-0119		L-Wash. 5/16" I.D.
9	712-0267		Hex Nut 5/16-18" Thd.
10	734-0255		Air Valve
11	710-0237		Hex Bolt 5/16-24 x .62" Lg.
12	736-0242		Bell-Wash. .345" I.D. x .88"
13	734-1376		Wheel Rim Ass'y. Only
14	734-1377		L.H. Wheel Ass'y. Comp.
	734-1378		R.H. Wheel Ass'y. Comp.
	734-1154		Tire Only 13 x 5.0
15	750-0688		Spacer 3/8" I.D. x 3.38" Lg.
16	784-0150		Transmission Comp.
17	712-0267		Hex Nut 5/16-18 Thd.
19	710-0118		Hex Bolt 5/16-18 x .75" Lg.
21	736-0217		L-Wash. 3/8" I.D.- H.D.
22	712-0206		Hex Nut 1/2-13 Thd.
23	736-0921		L-Wash. 1/2" I.D.
24	784-0155		Engine Mounting Rail - R.H.
25	723-0381		#40 Counter Weight
26	736-0326		FI-Wash. .510" I.D. x 1.0"
27	710-0382		Hex Bolt 1/2-13 x 5.00" Lg.
30	784-0154		Engine Mounting Rail - L.H.
31	710-0216		Hex Bolt 3/8-16 x .75" Lg.
32	710-0442		Hex Bolt 5/16-18 x 1.50"
33	710-0974		Hex Bolt 5/16-18 x 4.75" Lg.- Gr. 2
34	710-0604		Hex Wash. TT-Tap Scr. 5/16-18 x .62" Lg.
35	784-0203		Bracket Clutch Cable
36	746-0612		Clutch Control Cable 53" Lg.
37	784-0175		Idler Bracket Ass'y.
38	712-0158		Hex Cent. L-Nut 5/16-18 Thd.
39	738-0681		Shld. Bolt .500" Dia. x 2.27"
40	754-0325		"V"-Belt
41	756-0472		"V"-Pulley Split 5/8" I.D.
42	736-0176		FI-Wash. 1/4" I.D. x .93" O.D.
43	710-0412		Hex Bolt 1/4-28 x .75" Lg.
44	710-0599		Hex Wash. Hd. S-Tap Scr. 1/4-20 x .50" Lg.
45	736-0463		FI-Wash. .281" I.D. x .625"
46	712-0262		Hex Cent. L-Nut 3/8-24 Thd.
47	736-0123		FI-Wash. 5/16" I.D.
48	712-0287		Hex Nut 1/4-20 Thd.
49	736-0329		L-Wash. 1/4" I.D.
50	784-0158		Belt Cover
51	756-0405		FI-Idler w/Flanges 3.75" O.D.
52	710-0409		Hex Bolt 5/16-24 x 1.75"
53	710-0152		Hex Bolt 3/8-24 x 1.00" Lg.
54	736-0258		FI-Wash. 3/8" I.D. x 1.00"
55	750-0345		Spacer .758" I.D. x .990"
56	748-0282		Engine Pulley
57	712-0123		Hex Nut 5/16-24 Thd.
58	710-0237		Hex Bolt 5/16-24 x .62" Lg.
59	784-0197		Belt Keeper Ass'y.
60	751-0360A		Casing Clamp
61	710-0899A		Hex Sems Scr. #10-32 x .62"



Ref #	Part Number	Qty	Description
1	710-0779A		Truss Mach. AB-Tap. Scr. #10 x .50" Lg.
2	831-0823A		Throttle Control Box Ass'y.
3	746-0513		Throttle Control Wire
4	720-0180		Handle Grip
5	720-0210A		Small "T" Knob
6	720-0209		Large "T" Knob
7	747-0666		Clutch Rod
8	747-0664		Control Rod 37" Lg.
9	735-0228		Snap On Bushing 3/8" Dia.
10	725-0157		Cable Tie-Self Clinching
11	784-0202B		Clutch Grip Ass'y.- L.H.
12	746-0605		Barrel Cable Hold Down
13	710-0919		Hex B-Tap Scr. #10 x .44" Lg.
14	710-0331		Hex Bolt 3/8-24 x 2.25" Lg.
15	712-0262		Hex Jam L-Nut 3'-24 Thd.
16	746-0908		Clutch Control Cable 46" Lg.
17	710-0194		Hex Bolt 3/8-16 x 3.00" Lg.
18	736-0217		L-Wash. 3/8" I.D.- H.D.
19	784-0185B		Handle Ass'y.
20	712-0798		Hex Nut 3/8-16 Thd.
21	784-0189		Handle Tubing Ass'y.
22	735-0226		Rubber Grommet .66" I.D.
23	714-0507		Cotter Pin 3/32" Dia. x .75" Lg.
24	714-3021		Cotter Pin 3/32" Dia. x 1.25" Lg.
25	712-0386A		Hex Slotted Nut 5/8-18 Thd.
26	784-0190		Handle Adj. Crank
27	712-0375		Hex Cent. L-Nut 3/8-16 Thd.
29	736-0105		Bell-Wash. .4" I.D. x .87" O.D.
30	784-0182		Handle Pivot Bracket
31	784-0183		Positioner Crank Ass'y.
32	732-0493		Spring Handle Adj. (Torsion)
33	712-0379		Hex Flange Nut 3/8-24 Thd.
34	784-0191		Bracket Hex Nut Retainer
35	710-0644		Hex Bolt 3/8-16 x 3.25" Lg.
36	710-0521		Hex Bolt 3/8-16 x 3.00" Lg.- Gr. 8
37	710-0253		Hex Bolt 3/8-16 x 1" Lg.
38	784-0181A		Handle Positioner Brkt. Ass'y.
39	714-01498		Intern. Cotter Pin
40	711-0415		Clevis Pin .375" Dia.
41	784-0156		Tine Shield 18"
42	710-0118		Hex Bolt 5/16-18 x .75" Lg.
43	784-0210		Bracket Reinforcement - 18"
44	14979		Tine Shield Hinge Flap
46	714-0104		Intern. Cotter Pin 5/16" Dia.
47	784-0208A		Shift Cover
48	715-0120		Spring Roll Pin 3/16" Dia.
49	784-0173		Shifting Crank Ass'y.
50	735-0127		Rubber Washer .33" I.D.
51	736-0133		FI-Wash. .4" I.D. x 1.25" O.D.
52	735-0227		Snap On Bushing 1/2" Dia.
53	736-0317		Bell-Wash. .63" I.D. x 1.25"
54	710-0607		Hex Wash. Tap Scr.
56	747-0432		Tiller Flap Rod
57	784-0179		End Cover Ass'y.
58	15390		Side Shield
59	736-0242		Bell-Wash. .345" I.D. x .88"
60	712-0267		Hex Nut 5/16-18 Thd.
61	736-0119		L-Wash. 5/16" I.D.
62	711-0415		Clevis Pin .375" Dia.
63	712-0241		Hex Nut 3/8-24 Thd.

Ref #	Part Number	Qty	Description
63	712-0241		Hex Nut 3/8-24 Thd.
64	742-0305		13" Dia. Articulating Tine
65	738-0689		Shld. Bolt 1/2" Dia. x .175
66	736-0208		Fl-Wash. .51" I.D. x 1.50"
67	736-0255		Bell-Wash. .515" I.D. x 1.14"
68	738-0688		Shld. Bolt 1/2" Dia. x .320
69	714-0149B		Intern. Cotter Pin
70	784-0160		Tine Adapter Ass'y. 18"
71	784-0205		Tine Ass'y. Comp. 18"
72	14992		Depth Bar Ass'y.
73	710-0216		Hex Bolt 3/8-16 x .75" Lg.
74	738-0148		Shld. Bolt 1/2" I.D. x .62" Lg.
75	736-0117		Fl-Wash. 3/8" I.D. x 5/8" O.D.
76	720-0165		Ball Knob
77	736-0169		L-Wash. 3/8" I.D.
78	736-0463		Fl-Wash. .281" I.D. x .62"
79	710-0599		Hex Wash. Self-Tap Scr. 1/4-20 x .50" Lg.
80	710-0528		Hex Bolt 5/16-18 x 1 1/4" Lg."
81	736-0264		Fl-Wash. .344" I.D. x .62" O.D.



Ref #	Part Number	Qty	Description
1	784-0171A		Shifting Bracket Ass'y.
2	732-0496		Compression Spring .50" Lg.
3	741-0862		Ball Detent .250" Dia.
4	738-0645		Detent Shaft 1/2" Dia.
5	750-0664		Spacer .505" 1.0. x .88" O.D.
6	741-0155		Ball Brg. .62" I.D. x 1.38"
7	717-0851		Spur Gear 16T (Input)
8	717-0852		Input Spline Shaft 7/8"
9	750-0651		Spacer .657" I.D. x 2.85" Lg.
10	736-0187		FI-Wash. .640" I.D. x 1.24"
11	717-0857		Spur Gear 30T 7/8" I.D.
12	741-0478		Needle Bearing 5/8" I.D.
13	721-0211		Gasket - Trans. Hsg.
14	710-0599		Hex S-Tap Scr. 1/4-20 x .5"
15	784-0211		1-3/8" Dia. Bearing Housing
16	710-0642		Hex TT-Tap Scr. 1/4-20 x .75"
17	712-0267		Hex Nut 5/16-18 Thd.
18	736-0119		L-Wash. 5/16" I.D.
19	750-0662		Spacer 1.56" Lg.
20	712-0378		Hex Nut 7/16-20 Thd.
21	736-0407		Bell-Wash. .45" I.D. x 1.0"
22	750-0661		Spacer 1.015" Lg.
23	741-0420		Tine Shaft Brg. 1.002 x 2.50
24	784-0214		Trans. Housing Ass'y.- L.H.
25	784-0193		Bracket Gear Case - L.H.
26	784-0166		Dust Cover Ass'y. .75" Shaft
27	784-0168		Tine Shaft Ass'y. 1" O.D.
28	736-0351		FI-Wash. .76" I.D. x 1.5" O.D.
29	750-0671		Spacer .75" I.D. x .50" Lg.
30	713-0226		Chain #50 5/8 Pitch x 52 Links - Endless
31	741-0488		Needle Bearing 5/8" I.D.
?32	716-0865		Snap Ring
?33	726-0277		Taper Cap Plug
34	717-0854		Spur Gear 30T 12/16" I.D.
35	717-0874		30/44T Gear Ass'y. Comp.
36	717-0863		Spur Gear 44T
37	741-0181		Sleeve Bearing
38	717-0835		Gear Hub 3/4" I.D. x 3" Lg.
39	717-0855		Spur Gear 30T 1.0" I.D. x 1/2" W
40	738-0647		Jack Shaft 5/8" Dia. x 5"
41	738-0648		Jack Shaft 5/8" Dia. x 2.38"
42	784-0215		Trans. Housing Ass'y.- R.H.
43	717-0858		Spur Gear 55T
45	741-0421		Wheel Brg. .752" x 2.5"
46	713-0367		#420 Chain 1/2 Pitch x 50 Links - Endless
47	784-0170		Wheel Shaft Ass'y. 15.6"
48	784-0192		Bracket Gear Case - R.H.
49	784-0195		R.H. Housing Ass'y.
50	710-0116		Hex Bolt 5/16-18 x 2"
51	710-0378		Hex Bolt 5/16-18 x 2.5"
52	710-0513		Hex Bolt 1/4-20 x .62" Lg.
53	736-0169		L-Wash. 3/8" I.D.
54	736-0176		FI-Wash. 1/4" I.D. x .93" O.D.
55	784-0207		Gear Positioner Bracket
56	736-0406		FI-Wash. 7/16" I.D. x 1-3/8"
57	784-0167		Dust Cover Ass'y. 1" Shaft
58	750-0570		Spacer 1" I.D. x 2" O.D.
59	717-0853		Shifting Fork
60	710-0118		Hex Bolt 5/16-18 x .75" Lg.
63	784-0162		10T Sprocket Ass'y.

Ref #	Part Number	Qty	Description
63	784-0162		10T Sprocket Ass'y.
64	736-0163		Thrust Wash. 1.03" I.D. x 1.62" O.D.
	737-0223		10 oz. Tube Benalene #372-0 Grease (27 oz. Req'd.)
?85	786-0065		Gear Positioner Bracket
	784-0150		Transmission