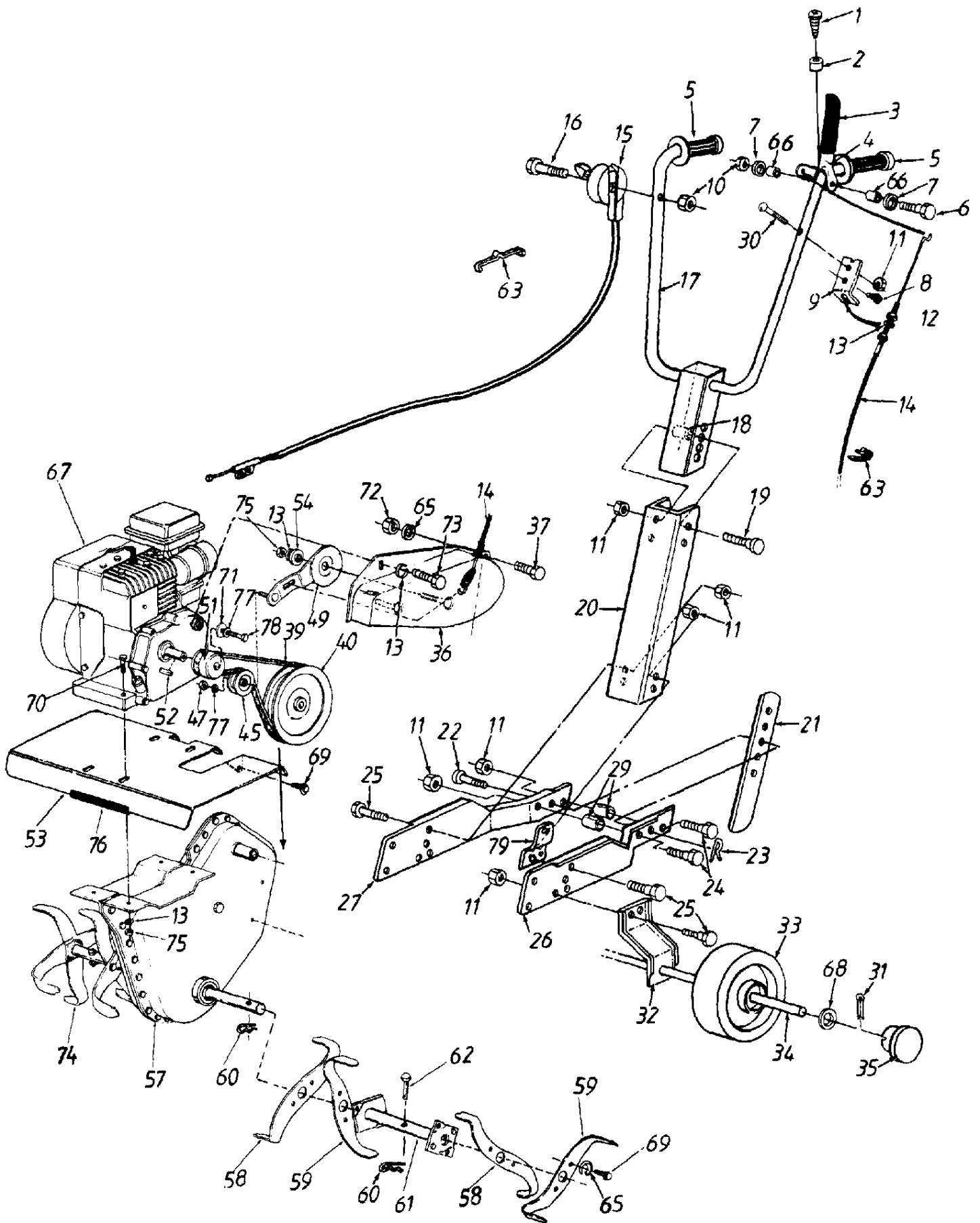


Ref #	Part Number	Qty	Description
1	686-0024		Chain Case Ass'y.- R.H. New Part
2	04756		Input Shaft Ass'y.
3	712-030-000 (1992)		Hub and Sprocket Ass'y.
4	750-0351		Bearing Inner Race
5	741-0155		Ball Bearing
6	686-0023		Chain Case Ass'y.- L.H. New Part
7	756-0287		Pulley - Chain Case
8	710-0369		Hex Bolt 3/8-24 x 2.5"
10	721-0157		Seal
11	710-0195		Hex Bolt 1/4-28 x .625"
12	721-0156A		Gasket New Part
13	741-0227		Flange Brg. .879" I.D.
14	736-0265		FI-Wash. .88" I.D. x 1.5"
15	04920		Tine Shaft Ass'y.
16	750-0354A		Spacer 7/8" I.D.
17	736-0329		L-Wash. 1/4" I.D.
18	712-0138		Hex Nut 1/4-28 Thd.
19	712-0116		Hex Ins. L-Nut 3/8-24 Thd.
21	736-0219		Bell-Wash. .406" I.D.
22	713-0215		Chain #420 1/2" Pitch 38 Links
	713-0154		#420 Master Link
23	713-0216		Chain #35 .375" Pitch 50 Links
	713-0139		#35 Master Link
24	748-0154		Bearing .62" I.D. x .813"
25	05034A		Bearing Housing
26	726-0164		Expansion Plug 13/16" Dia.
27	741-0228		Bearing
28	731-0486		Dust Cap
29	710-0599		Hex Wash. Hd. Self-Tap Scr. 1/4-20 x .50" Lg.
30	750-0471		Spacer .63" I.D. x .77" O.D. x .38" Lg.
31	715-0114		Spring Pin Spiral 1/4" Dia. x 1-1/2" Lg.
32	750-0550		Spacer .647 x 1.25"
33	710-0653		Hex Wash. Hd. Self-Tap Scr. 1/4-20 x .38" Lg.
34	710-0118		Hex Bolt 5/16-18 x .75"
35	712-0267		Hex Nut 5/16-18 Thd.
36	736-0119		L-Wash. 5/16" I.D.
	686-0022		Chain Case Ass'y. Comp.



Ref #	Part Number	Qty	Description
1	710-1167		Tap Scr. #10-16 x 1/2
2	720-0263		Rubber Bumper
3	712-030-000 (1992)		Idler Assembly
4	686-0002		Clutch Lever Ass'y.
5	720-0233		Handle Grip
6	710-0501		Hex Bolt 1/4-20 x 2"
7	736-3090		FI-Wash. 1/4" I.D.
8	710-1201		Hex Tap Scr. 1/4-20 x 1/2
9	15093C		Cable Bracket
10	712-0324		Lock Nut 1/4-20 Thd.
11	712-0429		Lock Nut 5/16-18 Thd.
12	712-0256		Hex Jam Nut 5/16-24 Thd.
13	736-0119		L-Wash. 5/16" I.D.
14	746-0509		Clutch Control Cable
15	746-0835		Throttle Control New Part
16	710-0606		Hex Bolt 1/4-20 x 1-1/2"
17	649-0153		Handle Ass'y.
18	750-0848		Spacer New Part
19	710-0572		Carr. Bolt 5/16-18 x 2-1/2"
20	786-0013		Handle Channel - Frame
21	04764		Depth Stake
22	711-0653		Clevis Pin
23	714-0145		Hairpin Cotter
24	710-0376		Hex Bolt 5/16-18 x 1"
25	710-0759		Hex Bolt 5/16-18 x 5/8"
26	786-0011		L.H. Frame Half
27	786-0010		R.H. Frame Half
28	710-0607		Hex Tap. Scr. 5/16-18 x 1/2"
29	750-0845		Spacer
30	710-1090		Hex Bolt 5/16-18 x 1-1/4"
31	714-3017		Cotter Pin
32	786-0012		Wheel Bracket New Part
33	634-0013		Wheel - 6"
34	738-0855		Axle - Wheel
35	720-0258		Hub Cap
36	686-0021		Belt Cover New Part
37	710-0258		Hex Bolt 1/4-20 x 5/8"
39	754-0216		V-Belt
40	756-0287		Pulley - Chain Case
45	756-0199		Flat Idler Pulley
47	712-0116		Hex Jam Thd. L-Nut 3/8-24
48	736-0275		FI-Wash. 5/16" I.D.
49	784-0016		Idler Arm Ass'y. New Part
51	756-0286		Engine Pulley New Part
52	714-0122		Square Key 3/16" x .75"
53	04765		Tine Shield
54	736-0289		Washer - Bushing
57	686-0022		Chain Case Ass'y. Comp. New Part
58	04922		R.H. Tine Blade
59	04923		L.H. Tine Blade
60	714-0149B		Hairpin Cotter
61	04918		Adapter Ass'y.- Tine
62	711-0702		Clevis Pin
63	726-0306		Cable Tie-Plastic

Ref #	Part Number	Qty	Description
65	736-0329		L-Wash. 1/4" I.D.
66	750-9846		Spacer New Part
67	212-050-000 (1992)		Engine
68	736-0185		FI-Wash. 3/8" I.D.
69	710-0599		Tap Scr. 1/4-20 x 1/2"
70	710-0442		Hex Bolt 5/16-18 x 1-1/2"
71	736-0258		FI-Wash. 3/8" I.D. x 1" O.D. New Part
72	712-0287		Hex Nut 1/4-20 Thd.
73	710-0107		Hex Bolt 5/16-24 x .5" Lg.
74	04921		Tine Blade Ass'y. Comp.
75	712-0267		Hex Nut 5/16-18 Thd.
76	731-0511-12		Trim Strip
77	736-0169		L-Wash. 3/8" I.D.
78	710-0152		Hex Bolt 3/8-24 x 1" Lg.
79	786-0046		Belt Cover Bracket New Part