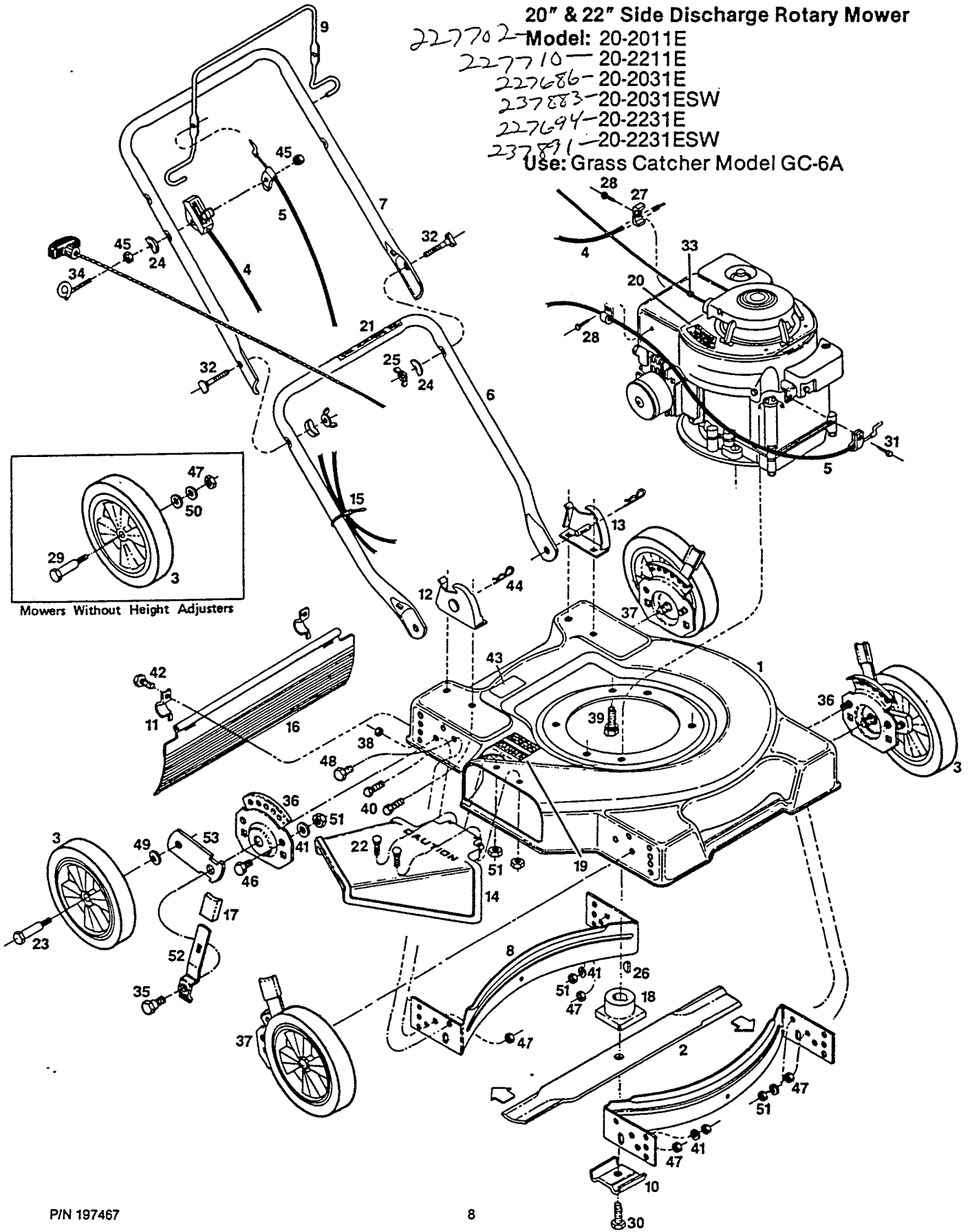


20" & 22" Side Discharge Rotary Mower

- 227702-Model: 20-2011E
- 227710-20-2211E
- 227686-20-2031E
- 237883-20-2031ESW
- 227694-20-2231E
- 237891-20-2231ESW

Use: Grass Catcher Model GC-6A



Mowers Without Height Adjusters

20" & 22" Side Discharge Rotary Mower

**Model: 20-2011E
 20-2211E
 20-2031E
 20-2031ESW
 20-2231E
 20-2231ESW**

Use: Grass Catcher Model GC-6A

| Index No. | Part No. | Description | Index No. | Part No. | Description |
|------------------|-----------------|---------------------------------------|------------------|-----------------|--|
| 1 | 029546 | Deck 20" | 24 | 150201 | Washer-Curved 5/16 |
| 1 | 029553 | Deck 22" | 25 | 150235 | Wingnut 5/16-18 |
| 2 | 030031 | Blade-20" Flat | 26 | 150276 | Woodruff Key #6 |
| | 030049 | Blade-22" Flat | 27 | 150318 | Cable Clamp |
| 3 | | Wheel Assembly* | 28 | 150623 | Screw-Sheet Metal #10 x 5/8 |
| | 498618 | 7" Plastic-White-Rib | 29 | 156158 | Wheel Bolt w/o Hgt. Adj.* |
| | 041046 | Wheel - 7" Steel White Rib | 30 | 150862 | Bolt-Blade |
| 4 | 051219 | Control-Throttle w/Cable | 31 | 151613 | Bolt-Hex Head #10-32 x 3/8 Sems |
| 5 | 051037 | Cable-Engine Blade Control* | 32 | 151928 | Bolt-Curved Head 5/16-18 x 1 3/4 |
| 6 | 071563 | Handle-Lower | 33 | 152074 | Rope Stop |
| 7 | 071076 | Handle-Upper | 34 | 152629 | Rope Guide |
| | 071084 | Handle-Upper Vinyl Grip | 35 | 153650 | Shoulder Bolt-Hgt. Adj.* |
| | 072181 | Handle-Upper Cushion Grip | 36 | 428664 | Back Plate-Height Adjuster L.H. Front R.H. Rear* |
| 8 | 101519 | Baffle 20/22" Rear Standard, Front* | 37 | 428714 | Back Plate-Height Adjuster R.H. Front L.H. Rear* |
| 9 | 104687 | Bail-Engine/Blade Control | 38 | 452318 | Nut-#10-24 HX Nylon Insert |
| | 109470 | Bail-Engine/Blade Control Vinyl Grip | 39 | 457168 | Bolt-3/8-16 x 7/8 Thread Forming |
| 10 | 106336 | Washer-Blade Adapter | 40 | 457499 | Bolt-1/4-20 x 1/2 Thread Forming |
| 11 | 106914 | Clip-Trailing Shield* | 41 | 462093 | Washer-Flat 1/4"* |
| 12 | 107086 | Handle Bracket-Right Hand | 42 | 458687 | Bolt-Hex Head #10-24 x 1/2 |
| 13 | 107094 | Handle Bracket-Left Hand | 43 | 714170 | Decal-Model Number |
| 14 | 110221 | Chute Deflector Assembly* | 44 | 715011 | Hairpin Cotter |
| 15 | 110379 | Cable Tie | 45 | 715037 | Nut-Keps 1/4-20 |
| 16 | 111609 | Trailing Shield-20/22" w/o Hgt. Adj.* | 46 | 715045 | Bolt-Hex Head 1/4-20 x 3/4* |
| | 111617 | Trailing Shield-20/22" w/Hgt. Adj.* | 47 | 715086 | Locknut 3/8-16* |
| 17 | 435529 | Plastic Tip-Setting Lever* | 48 | 715201 | Bolt-Hex 3/8-16 x 3/4 w/o Hgt. Adj. |
| 18 | 133231 | Blade Adapter | 49 | 715607 | Washer-Belleville* |
| 19 | 144063 | Decal-Danger* | 50 | 715417 | Washer 3/8 SAE* |
| 20 | 001461 | Decal-Blade Warning* | 51 | 715508 | Locknut 1/4-20 Top |
| 21 | 144899 | Decal-Starting Instructions | 52 | 776500 | Setting Lever-Height Adjuster* |
| 22 | 150011 | Bolt-Carriage 1/4-20 x 5/8 | 53 | 777862 | Wheel Lever-Height Adjuster* |
| 23 | 156141 | Wheel Bolt w/Hgt. Adj.* | | | |
| | 150060 | Wheel - Bolt | | | |

NOTE: PARTS ARE RIGHT OR LEFT HAND AS VIEWED FROM THE OPERATOR POSITION.

* INDICATES OPTIONAL EQUIPMENT