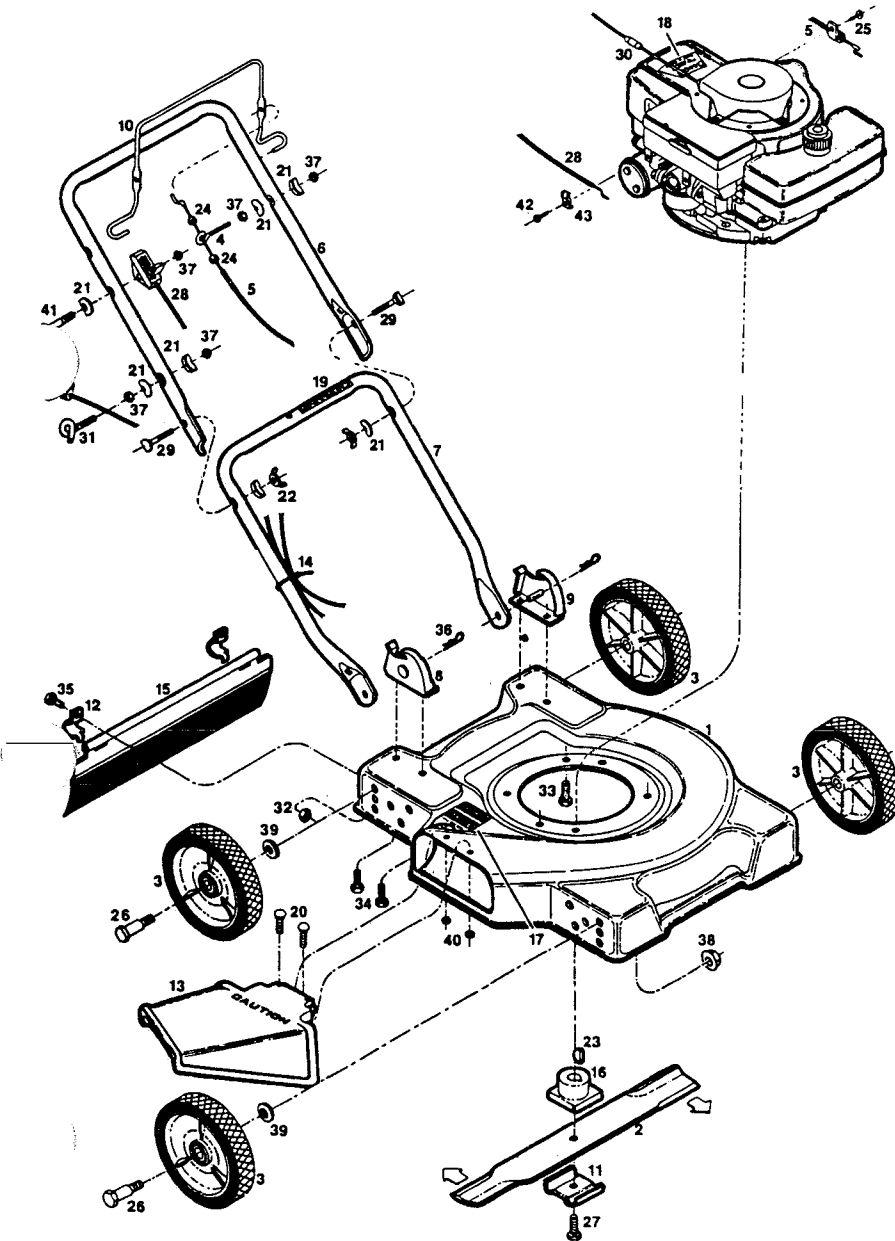


19" Side Discharge Rotary Mower Model: 20-1901TF

Use: Grass Catcher Model GC-6A (160689)
Replacement Bag (160457)



INDEX NO.	PART NO.	DESCRIPTION
1	012955	Deck 19"
2	030023	Blade - 19" Flat
3	041012	Wheel - 6" Plastic-Diamond
	498618	Wheel - 7" Plastic-Diamond
4	155234	Eyebolt - Cable Mounting
5	051474	Cable - Engine/Blade Control*
6	071076	Handle - Upper
7	071563	Handle - Lower
8	107086	Handle Bracket - Right Hand
9	107094	Handle Bracket - Left Hand
10	104687	Bail - Engine/Blade Control*
11	106336	Washer - Blade Adapter
12	106914	Clip - Trailing Shield
13	110221	Chute Deflector Assembly*
14	110379	Cable Tie
15	111583	Trailing Shield*
16	133231	Blade Adapter
17	144063	Decal - C.P.S.C. Danger
18	001461	Decal - Blade Warning
19	144899	Decal - Starting Instructions
20	150011	Bolt - Carriage 1/4-20 x 5/8
21	150201	Washer - Curved 5/16
22	150235	Wingnut 5/16-18
23	150276	Woodruff Key #6
24	152223	Nut - Jam Hex 5/16-24
25	151613	Bolt - Hex Head 10-32 x 1/4
26	150730	Shoulder Bolt - Wheel
	156158	Shoulder Bolt - Wheel (7" wheel only)
27	150862	Bolt - Blade 3/8-24 x 1-1/4 Gr. 8
28	051219	Throttle Control
29	151928	Bolt - Curved Head 5/16-18 x 1-3/4
30	152074	Rope Stop
31	152371	Rope Guide
32	452318	Nut #10-24 HX Nylon Insert
33	457168	Bolt - Hex Head Self Tap 3/8-16 x 7/8
34	457499	Bolt - Self Tap 1/4-20 x 5/8
35	458687	Bolt #10-24 x 1/2
36	715011	Hairpin Cotter
37	715037	Nut - Keps 1/4-20
38	451492	Nut - 3/8-16 Toplock
39	715607	Washer - Belleville
40	715508	Locknut 1/4-20 Top
41	450739	Bolt - 1/4-20 x 1 3/4 Hex
42	156869	Screw - #10-32 x 3/8 Hex
43	150318	Clamp-Throttle Cable

NOTE: Parts are right or left hand as viewed from operator position.

Approximate cutting heights 7/8" to 2-3/8"
Specifications subject to change without prior notice.