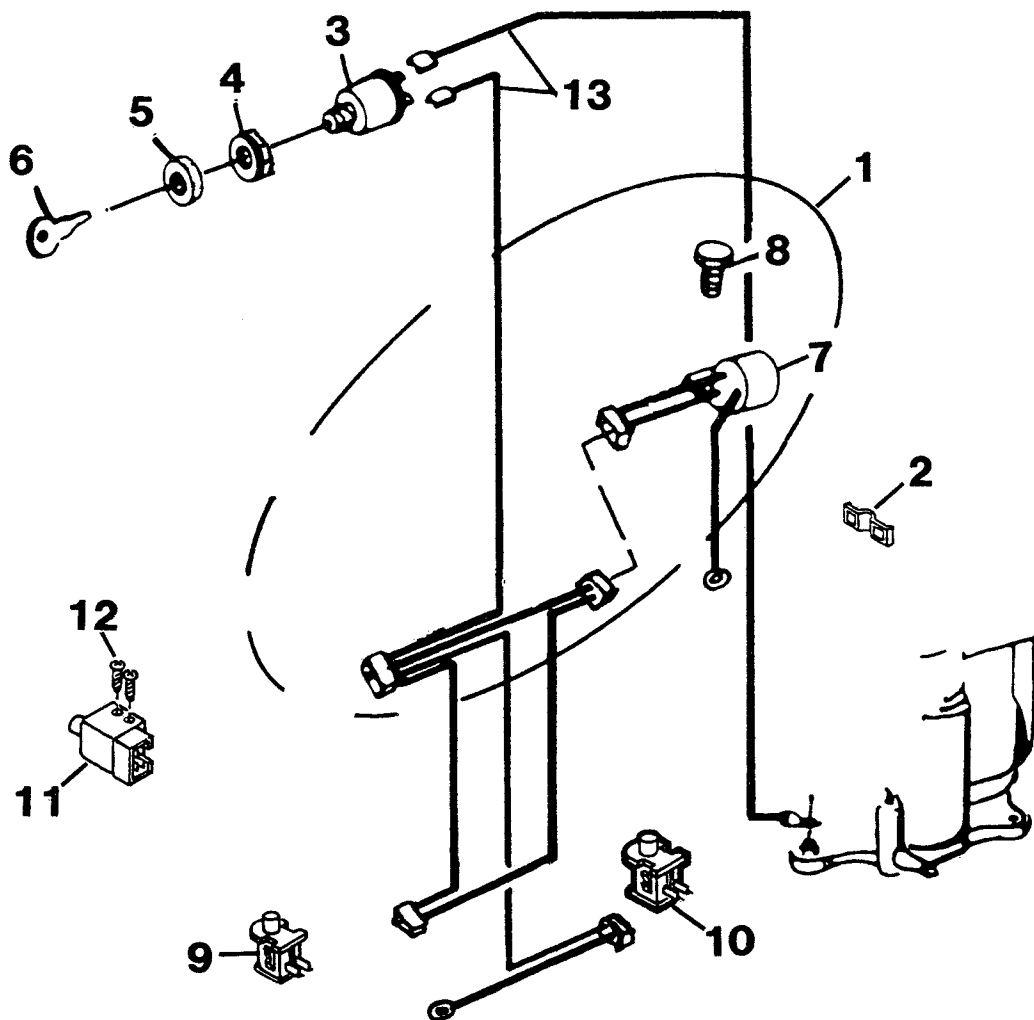


MODEL 200G
5 HP 26" Cut Rear Engine Rider

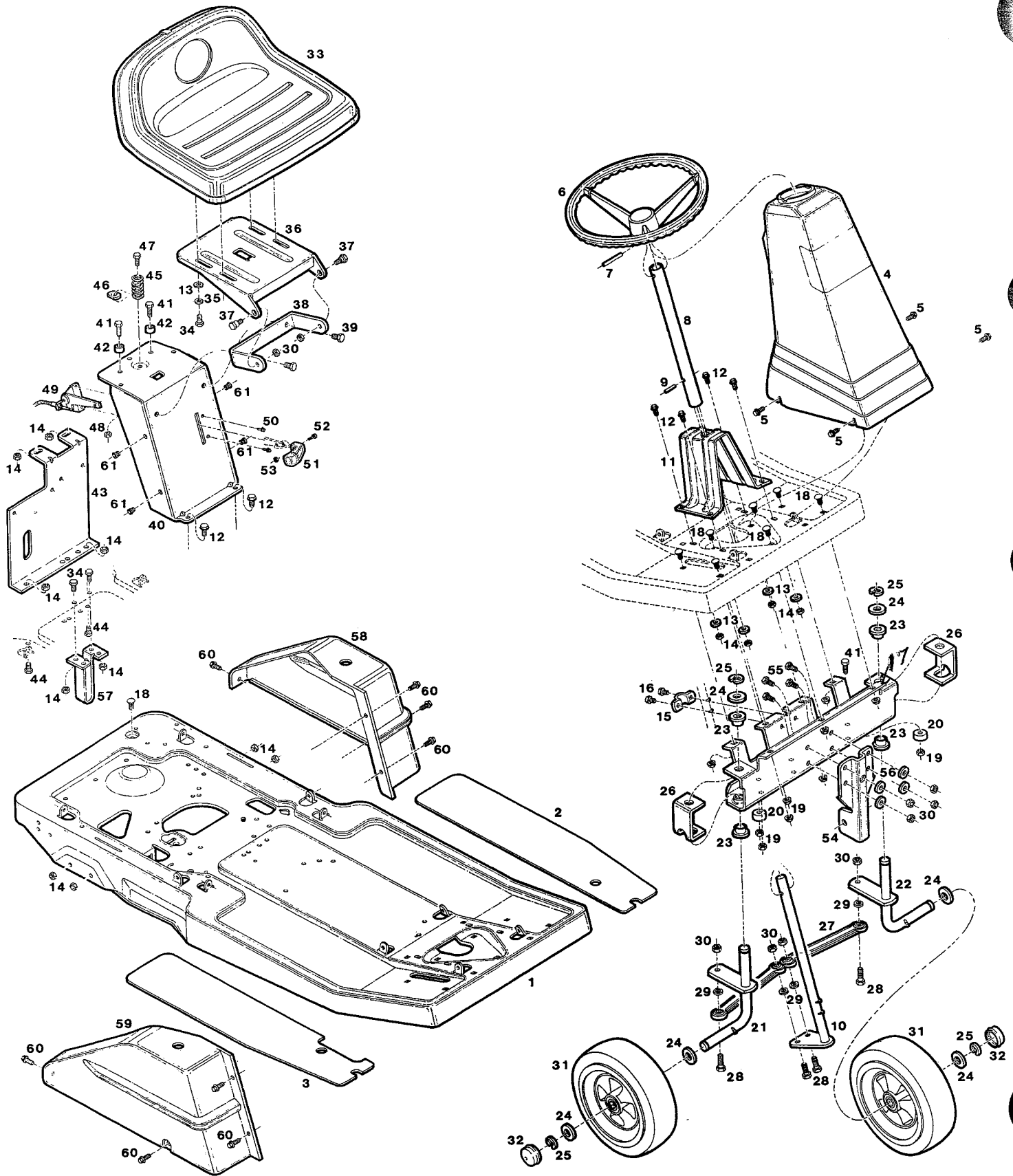
ELECTRICAL SYSTEM



Index No.	Part No.	Description
1	136895	Harness - wiring
2	134676	Retainer - wire, press-on
3	135988	Switch - ignition w/o key
4	158717	Nut - hex 5/8-32
5	112698	Boot - ignition switch
6	136242	Key - ignition
7	136903	Module - control, solid state
8	158527	Screw - tapite #8-32 x 3/8
9	135822	Switch - safety, neutral start
10	134833	Switch - safety, under seat
11	134825	Switch - safety
12	157933	Screw - pan head #12 x 1/2
13	137257	Harness - wiring, ignition switch

MODEL 200G
5 HP 26" Cut Rear Engine Rider

MAIN FRAME



MODEL 200G
5 HP 26" Cut Rear Engine Rider

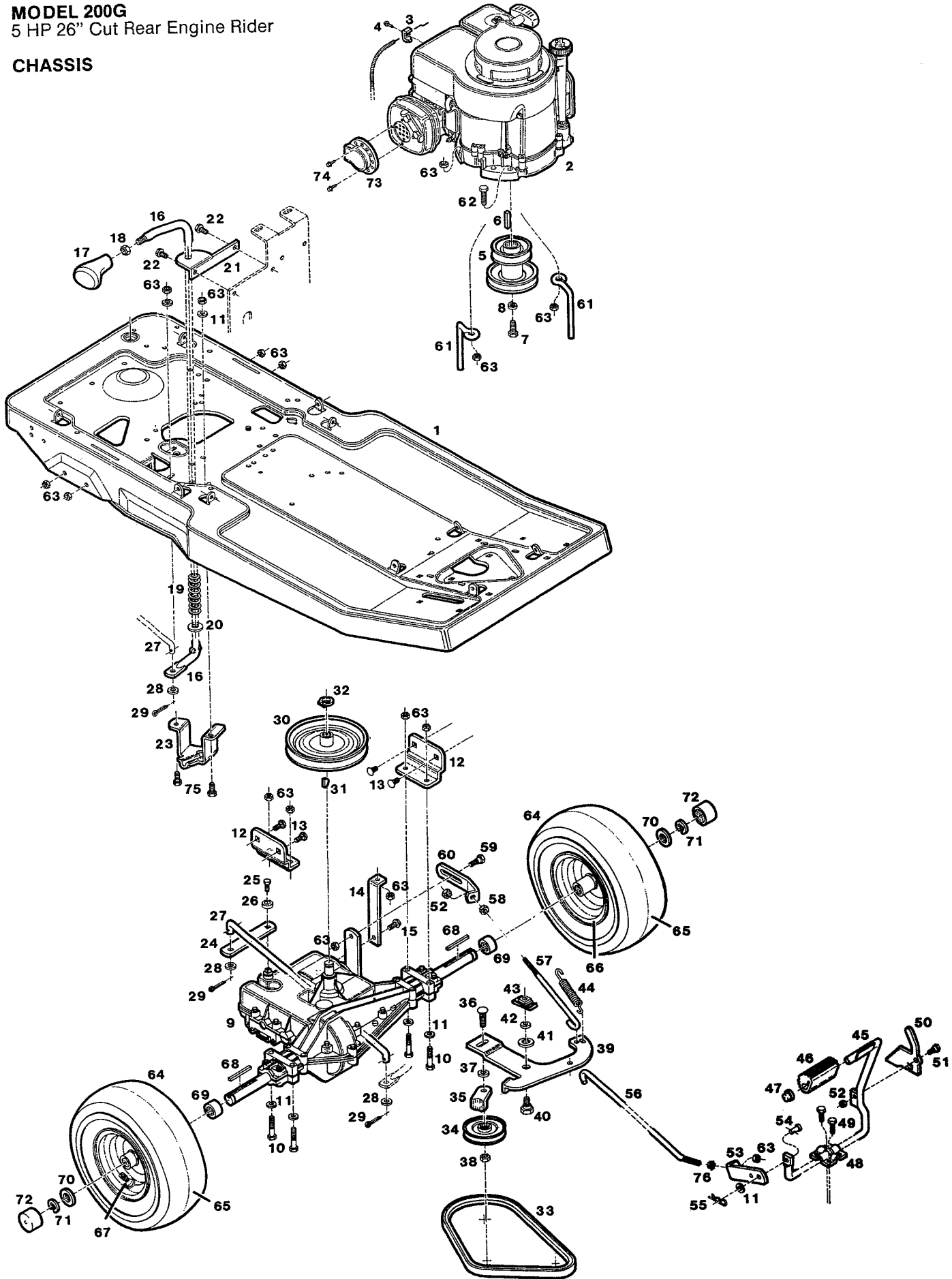
MAIN FRAME

Index No.	Part No.	Description
1	014845	Frame - main
2	113365	Pad - footrest LH
3	112961	Pad - footrest RH
4	113191	Console - steering column
5	158089	Screw - hex taptite 1/4-20 x 1/2
6	113266	Wheel - steering
7	159178	Pin - roll 1/4 x 2-1/4
8	174110	Shaft - steering
9	162065	Pin - spiral 3/16 x 1-1/4
10	016535	Shaft - steering w/arm
11	016576	Support - steering shaft
12	159780	Bolt - hex wash hd 5/16-18 x 5/8
13	715185	Washer - flat 5/16
14	715177	Nut - hex lock 5/16 - 18
15	016527	Bracket - steering shaft
16	159483	Screw - hex taptite 5/16-18 x 1/2
17	016477	Bracket - steering spindles
18	158907	Bolt - carriage 5/16-18 x 5/8
19	157610	Nut - hex whiz lock 5/16-18
20	162362	Spacer - steering stop
21	016279	Spindle - steering RH
22	016261	Spindle - steering LH
23	162008	Bearing - spindle
24	158048	Washer - flat 5/8
25	715128	Ring - retaining
26	016618	Support - spindle
27	137315	Tie Rod - steering
28	153015	Bolt - hex 3/8-16 x 1-1/4
29	150185	Washer - split lock 3/8
30	310011	Nut - hex lock 3/8-16
31	042218	Wheel - front w/tire, semi-pneumatic

Index No.	Part No.	Description
32	112912	Cap - hub, front wheel
33	136978	Seat
34	158485	Bolt - hex 5/16-18 x 3/4
35	311118	Washer - split lock 5/16
36	014936	Plate - seat mount
37	157503	Bolt - shoulder 5/16-18 x 5/8
38	014928	Bracket - seat plate
39	525121	Bolt - hex 3/8-16 x 5/8
40	015016	Support - seat
41	152108	Bolt-hex 5/16-18 x 1
42	159798	Spacer - bolt
43	014894	Support - seat/shift lever
44	312082	Bolt - hex 5/16-18 x 1/2
45	099341	Spring - seat
46	099358	Clamp - seat spring
47	715052	Screw - hex taptite 1/4-20 x 1/2
48	152967	Nut - hex lock 1/4-20
49	051904	Control - throttle w/cable
50	158527	Screw - taptite #8-32 x 3/8
51	112730	Knob - throttle control
52	159335	Screw - pan hd #8-32 x 3/8
53	159244	Nut - hex #8-32
54	014886	Bracket - deck drawbar
55	715201	Bolt - hex 3/8-16 x 3/4
56	150979	Washer - flat 3/8
57	099770	Guide - mower deck
58	099739	Fender - rear LH
59	099747	Fender - rear RH
60	158626	Screw - hex wash hd 1/4-20 x 5/8
61	162271	Insert - fender retainer

MODEL 200G
5 HP 26" Cut Rear Engine Rider

CHASSIS



MODEL 200G
5 HP 26" Cut Rear Engine Rider

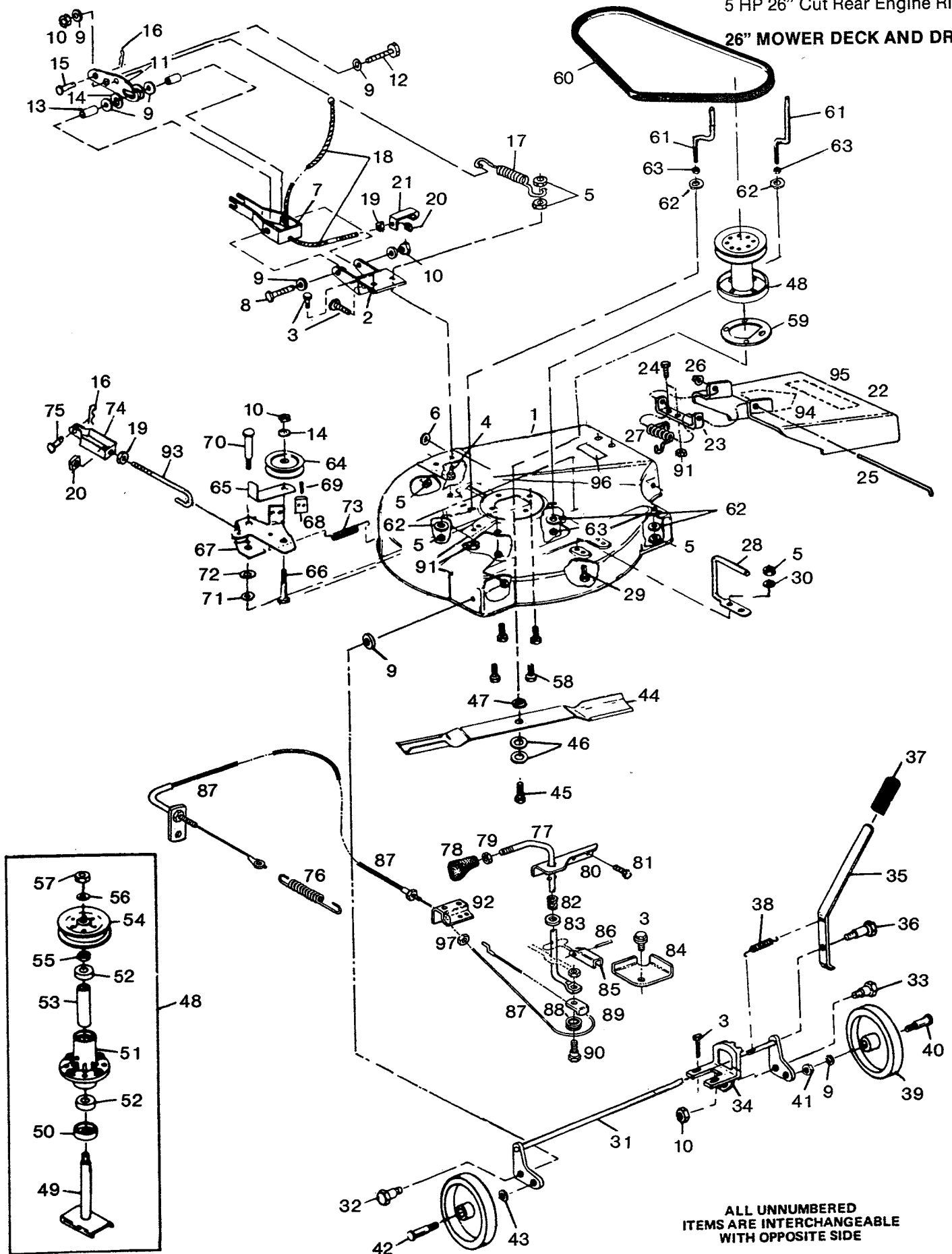
CHASSIS

Index No.	Part No.	Description	Index No.	Part No.	Description
1	014845	Frame - main	38	310011	Nut - hex lock 3/8-16
2	*	Engine - 5 HP	39	014860	Arm - idler pulley
3	150318	Clamp - throttle cable	40	157479	Bolt - shoulder 5/16-18 x 5/8
4	159475	Screw - cable clamp	41	159756	Washer - flat 5/8
5	099291	Pulley - engine double	42	158212	Washer - flat
6	158311	Key - pulley 1/4 square x 1-1/2	43	159764	Nut - tinnerman
7	162016	Bolt - hex 3/8-24 x 7/8	44	109637	Spring - idler tension
8	150185	Washer - split lock 3/8	45	016352	Pedal - clutch/brake
9	**	Transaxle - 3 speed (Tecumseh/Peerless Model 920-031)	46	112938	Pad - pedal, rubber
10	158493	Bolt - hex 5/16 - 18 x 2-1/4	47	159905	Retainer - push-on
11	715185	Washer - flat 5/16	48	016469	Bracket - pedal
12	016006	Bracket - transaxle	49	152108	Bolt - hex 5/16-18 x 1
13	158907	Bolt - carriage 5/16-18 x 5/8	50	016600	Lever - parking brake
14	091272	Brace - transaxle	51	159996	Bolt - shoulder 1/4-20 x 7/16
15	159228	Bolt - hex taptite 5/16-18 x 3/4	52	152967	Nut - hex lock 1/4-20
16	099689	Lever - transmission shift	53	014878	Clip - clutch rod
17	112664	Knob - shift lever	54	157263	Pin - clevis 5/16
18	158949	Nut - hex jam 1/2 - 13	55	715011	Hairpin Cotter
19	136739	Spring - shift lever	56	099234	Rod - clutch
20	156075	Washer - flat 1/2	57	099283	Rod - brake
21	014902	Support - shift lever	58	715037	Nut - hex keps 1/4-20
22	158089	Bolt - hex taptite 1/4-20 x 1/2	59	159723	Bolt - shoulder 5/16-18 x 3/4
23	099267	Support - shift lever, with detent	60	014738	Link - brake rod
24	099663	Lever - shift, on transaxle	61	099275	Guide - belt
25	157982	Bolt - hex 1/4-28 x 3/4	62	157958	Bolt - hex 5/16-18 x 1-1/2
26	157792	Washer - flat, special	63	715177	Nut - hex lock 5/16-18
27	099697	Rod - connecting, shift levers	64	042200	Wheel - rear w/tire & rim
28	150979	Washer - flat 7/16	65	042424	Tire - rear 13 x 5.00 tubeless
29	317016	Pin - cotter 1/8 x 1	66	042416	Rim - rear wheel
30	099218	Pulley - transaxle	67	136291	Stem - valve w/cap
31	615534	Key - woodruff #9	68	446617	Key - rear wheel 3/16 square x 2-1/2
32	159285	Ring - retaining	69	159749	Spacer - wheel
33	136705	Belt - transaxle drive	70	158188	Washer - flat 3/4
34	109645	Pulley - idler	71	316513	Ring - retainer
35	015198	Retainer - belt	72	112409	Cap - hub, rear wheel
36	157750	Bolt - carriage 3/8-16 x 1-1/2	73	137349	Deflector - muffler
37	158345	Washer - flat 3/8	74	120048	Screw - hex #8-24 x 3/8
			75	158485	Bolt - hex 5/16-18 x 3/4
			76	150136	Nut - hex keps 5/16-18

*Contact engine manufacturer's authorized service dealer for parts and warranty.

**Contact Tecumseh/Peerless authorized service dealer or distributor for parts and warranty.

MODEL 200G
5 HP 26" Cut Rear Engine Rider
26" MOWER DECK AND DRIVE



**ALL UNNUMBERED
 ITEMS ARE INTERCHANGEABLE
 WITH OPPOSITE SIDE**

MODEL 200G
5 HP 26" Cut Rear Engine Rider

26" MOWER DECK AND DRIVE

Index No.	Part No.	Description	Index No.	Part No.	Description
1	016485	Deck - mower 26"	49	095364	Shaft - blade w/saddle
2	016238	Bracket - deck hitch	50	134981	Shield - dust
3	450437	Bolt - hex 5/16-18 x 5/8	51	174714	Housing - bearings
4	150045	Bolt - hex 5/16-18 x 1-1/4	52	095406	Bearing - shaft
5	715177	Nut - hex lock 5/16-18	53	095398	Spacer - bearings
6	311118	Washer - split lock 5/16	54	098152	Pulley - drive
7	015073	Bracket - hitch pivot	55	157404	Spacer - pulley
8	450767	Bolt - hex 3/8-16 x 2-3/4	56	157396	Washer - pulley retainer
9	150979	Washer - flat 3/8	57	159301	Nut - hex flange lock 7/16-20
10	310011	Nut - hex lock 3/8-16	58	159202	Bolt - hex taptite 5/16-18 x 1-3/8
11	099895	Bar - hitch	59	099820	Spacer - spindle
12	457176	Bolt - hex 3/8-16 x 1-1/4	60	136887	Belt - blade drive
13	099887	Spacer - hitch bar	61	099804	Guide - belt
14	158337	Washer - flat 3/8	62	158469	Washer - flat 5/16
15	158295	Pin - clevis 1/2 x 2-1/4	63	150136	Nut - hex keps 5/16-18
16	616227	Hairpin Cotter	64	099937	Pulley - idler
17	136879	Spring - deck suspension	65	015198	Retainer - belt
18	051870	Cable - deck lift	66	312322	Bolt - hex 3/8-16 x 1-3/4
19	715037	Nut - hex keps 1/4-20	67	099911	Arm - idler w/brake pad (includes 68 & 69)
20	157966	Nut - square 1/4-20	68	135046	Pad - brake
21	099879	Bracket - lift cable	69	159152	Rivet - brake pad
22	016584	Deflector - discharge opening	70	159988	Bolt - shoulder 3/8-16 x 2-3/8
23	016626	Bracket - deflector	71	159954	Washer - flat
24	158485	Bolt - hex 5/16-18 x 3/4	72	715417	Washer - flat
25	159855	Pin - deflector	73	109637	Spring - brake engaging
26	452128	Nut - push-on	74	159137	Clevis - adjusting
27	137331	Spring - deflector	75	157263	Pin - clevis 5/16
28	016089	Guide - deck, rear	76	097980	Spring clutch engaging
29	152108	Bolt - hex 5/16-18 x 1	77	099481	Lever - engaging, mower drive
30	158212	Washer - flat 5/16	78	112664	Knob - engaging lever
31	015057	Tube - deck suspension	79	158949	Nut - hex jam 1/2-13
32	159962	Bolt - shoulder 3/8-16 x 3/4	80	015255	Support - lever, upper
33	159939	Bolt - shoulder 3/8-16 x 7/16	81	158089	Screw - hex taptite 1/4-20 x 1/2
34	016220	Quadrant - height adjust	82	137323	Spring - engaging lever
35	016055	Lever - height adjust	83	162073	Washer - spring retaining
36	159947	Bolt - shoulder 3/8-16 x 1/2	84	171330	Bracket - lever, lower
37	113282	Grip - height adjust lever	85	171348	Stop - lever
38	099846	Spring - tension, height lever	86	715193	Pin - roll 3/16 x 1
39	041541	Wheel - deck 6"	87	137216	Cable - engaging, mower drive
40	157495	Bolt - shoulder 3/8-16 x 2-1/8	88	112177	Pulley - cable
41	451500	Nut - hex keps 3/8-16	89	097352	Retainer - cable
42	159970	Bolt - shoulder 3/8-16 x 1-3/4	90	158683	Bolt - shoulder 1/4-20 x 1
43	150185	Washer - split lock 3/8	91	152967	Nut - hex lock 1/4-20
44	030874	Blade - 26"	92	015966	Bracket - cable anchor
45	158543	Bolt - hex nylock 3/8-24 x 1	93	174631	Rod - cable adjust
46	158055	Washer - formed spring	94	143115	Decal - Danger
47	159921	Washer - flat 3/8	95	007666	Decal - Caution
48	016246	Spindle Assembly - blade (includes 49-57)	96	004655	Decal - No Step
			97	159426	Nut - 1/4-28 jam