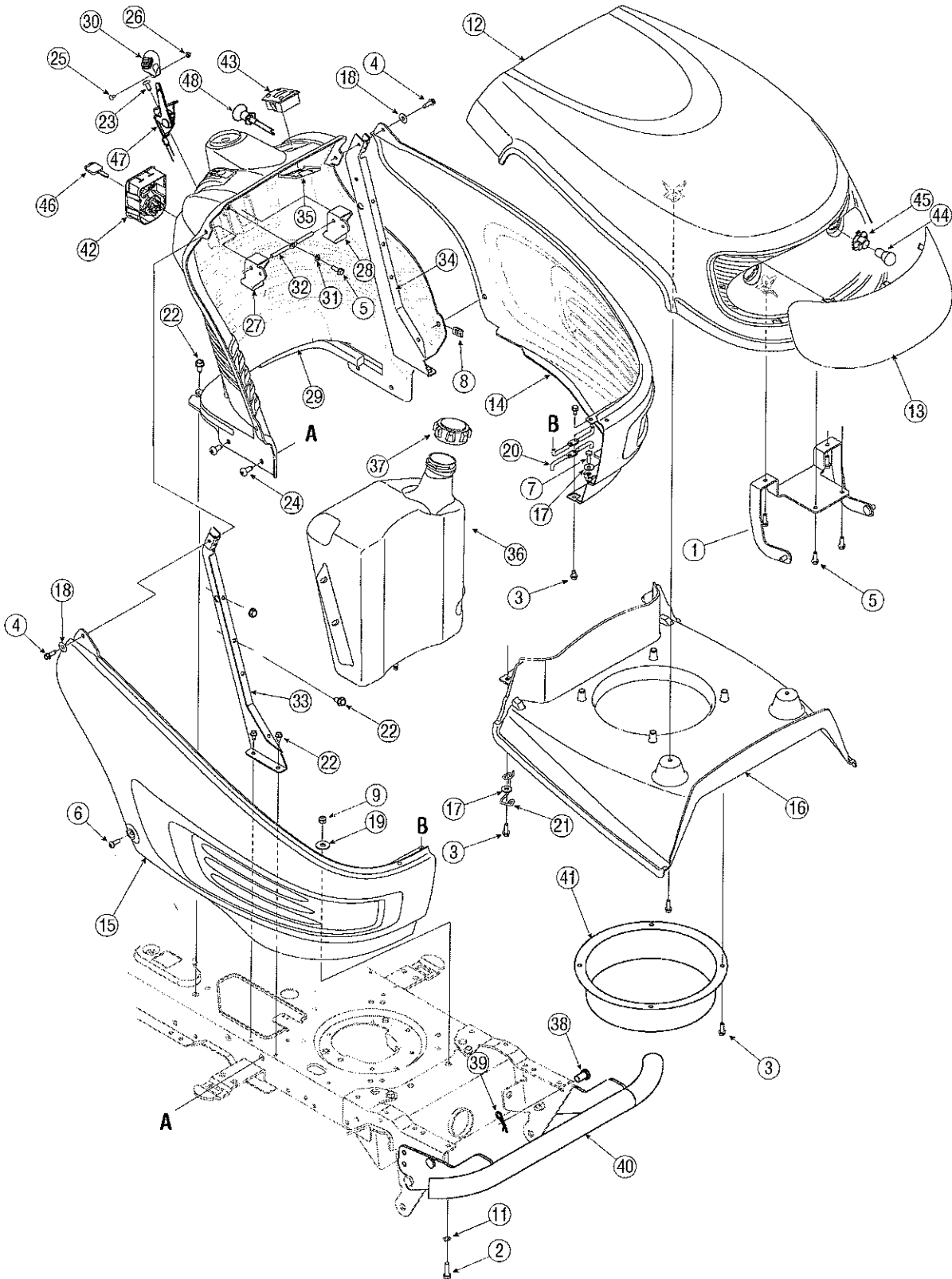


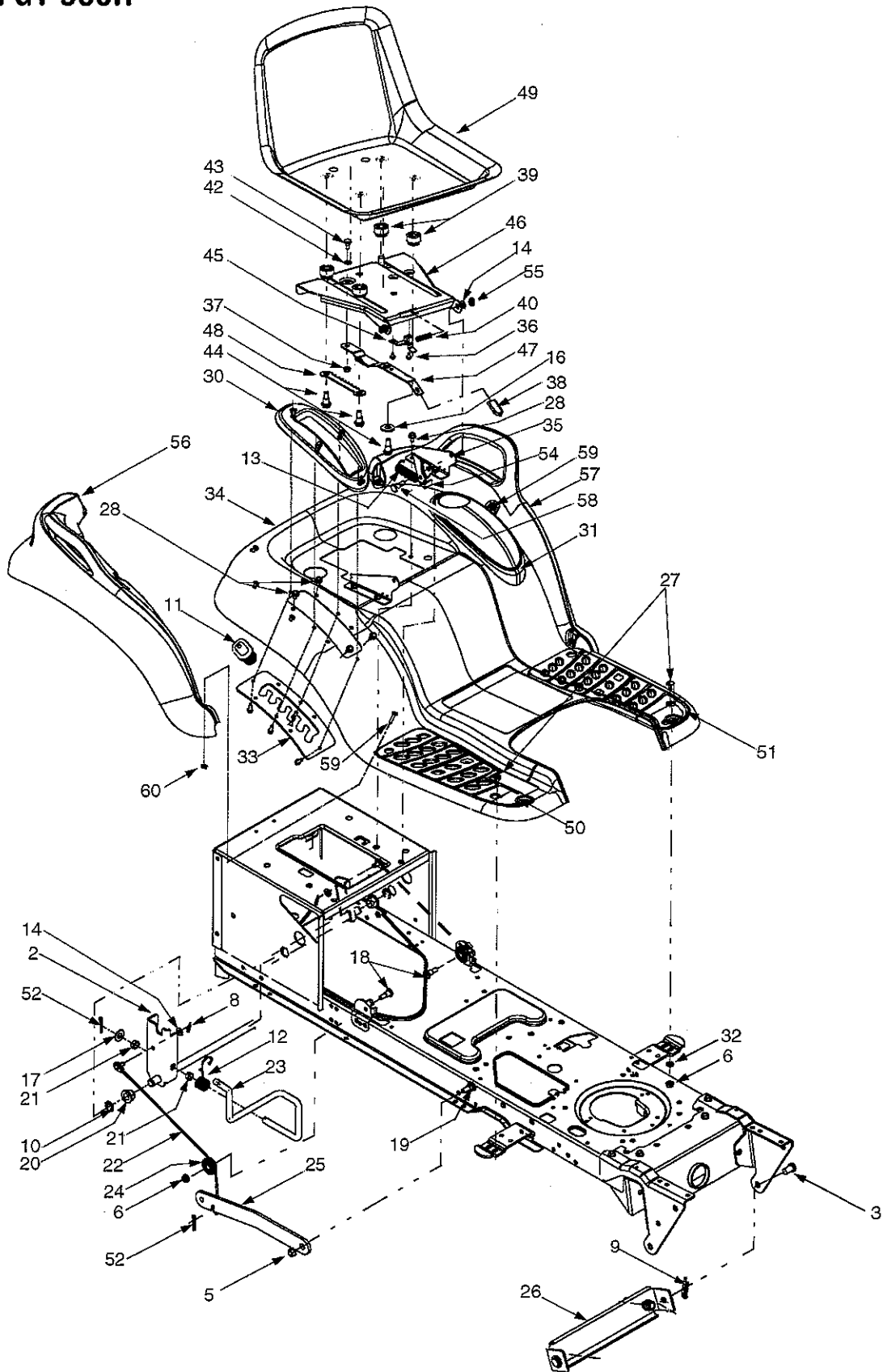
# SECTION 12: PARTS LIST FOR MODEL GT 950H



# Model GT 950H

REF. NO.	PART NO.	DESCRIPTION	REF. NO.	PART NO.	DESCRIPTION
1	683-0305	Bracket Assembly, Hood	28	731-04214	Cruise Control Lever
2	710-0376	Hex Screw, 5/16-18, 1 00, Gr5	29	731-05037	Dash Panel (Models w/ Electric PTO)
3	710-0599	Screw, 1/4-20, 0 500	30	731-1857	Control Knob
4	710-0642	Screw, 1/4-20, 0 750	31	736-0142	Washer, Flat, .281 x .50 x .063
5	710-0895	Screw, 1/4-15, 0 750	32	747-1155	Rod, Brake / Cruise Pivot
6	710-0924	Screw, Machine, 1/4-20, 0.750	33	783-04285B	Support Plate, Dash, RH
7	710-3015	Hex Screw, 1/4-20, .75, Gr5	34	783-04323B	Support Plate, Dash, LH
8	712-0292	Nut, Clip, 1/4-20	35	783-0462	Retainer Bracket, PTO Switch
9	712-04063	Nut, Flange Lock, 5/16-18, Grf, Nylon	36	751-0658E	Fuel Tank, 3 Gal
10	712-04064	Nut, Flange Lock, 1/4-20, Grf, Nylon	37	751-0603	Fuel Cap
11	726-0201	Nut, Speed, 3125 ID	38	711-0332	Pin, Clevis, .50 x .78
12	731-2283A	Hood	39	714-0145	Pin, Click, .092 x 1.64
13	731-2286	Lens	40	768-0010B	Bumper
14	731-2307B	Side Panel, LH	41	731-2234A	Bellow
15	731-2308B	Side Panel, RH	42	725-04227	Ignition Switch Module
16	731-2284	Hood Plenum	43	725-04036A	Systems Indicator Monitor w/ Hour Meter
17	736-0173	Washer, Flat, 28 x 74 x .063	44	725-0963	Miniature Lamp, 12V
18	736-0342	Washer, Flat, 283 x .75 x .030	45	725-1649	Socket, Lamp
19	736-3078	Washer, Flat, .344 x 1.0 x .063	46	725-1744	Key, Ignition
20	747-04301	Support, Side Panel		725-1745	Key w/ Plastic Cover, Ignition
21	747-2127	Rod, Hood Latch	47	746-1086	Throttle Cable, 39"
22	710-0726	Screw, 5/16-12, 0 750	48	746-1085A	Choke Knob w/ Cable, 37 5"
23	710-1017	Screw, 1/4-14, 0 625	—	629-04083	Headlight Wire Harness ( <i>not pictured</i> )
24	710-1611B	Screw, 5/16-18, 0 750	—	629-04104	Tractor Wire Harness ( <i>not pictured</i> )
25	710-3217	Screw, Machine, #8-32, 0.375	—	735-04023	Cargo Net ( <i>not pictured</i> )
26	712-0142	Nut, Hex, #8-32	—	726-04029	Ratchet Clip ( <i>not pictured</i> )
27	731-04213	Brake Lever			

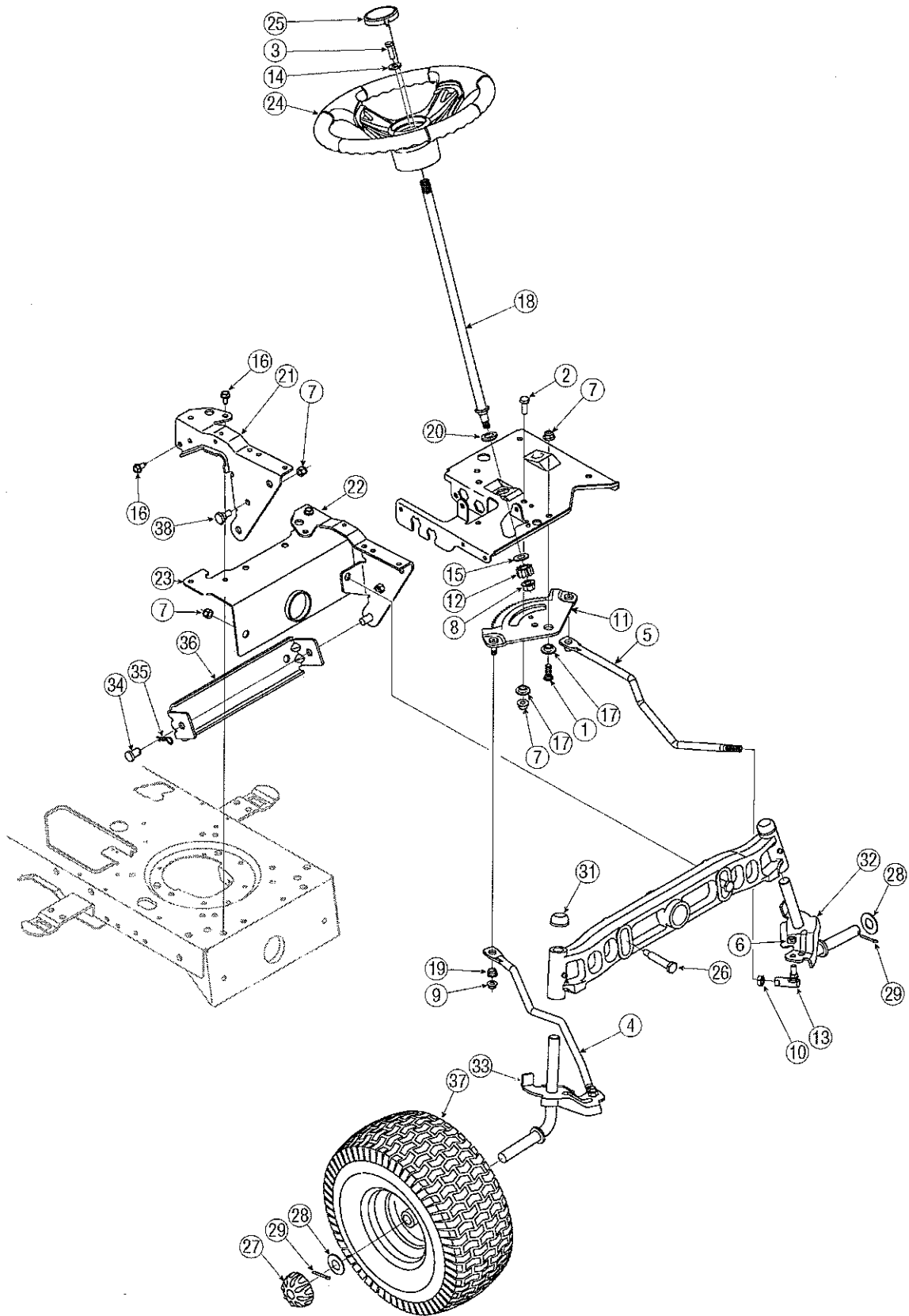
# Model GT 950H



# Model GT 950H

REF. NO.	PART NO.	DESCRIPTION	REF. NO.	PART NO.	DESCRIPTION
2	683-04079	Lift Shaft Assembly	32	736-3078	Flat Washer, 349 x 1.0 x 063
3	711-0332	Clevis Pin, 5 x 78	33	783-0677	Lift Adjustment Bracket
4	712-0206	Hex Nut, 1/2-13	34	783-04459A	Fender 4 Sty Hydro w/ Flares
5	712-04065	Flange Lock Nut, 3/8-16	35	783-1489A	Seat Mounting Bracket
6	712-04063	Flange Lock Nut, 5/16-18	36	710-1268	Screw, #10-16 x 375
8	714-0104	Hairpin Clip	37	712-3027	Hex Flange Lock Nut, 1/4-20
9	714-04023	Hairpin Clip	38	720-0309A	Seat Adjuster Grip
10	716-0106A	E-Ring	39	731-04074	Spacer
11	720-0311	Handle Grip	40	732-0499	Compression Spring, .41 x 1 5
12	732-0874	Torsion Spring	42	736-0204	Flat Washer, 344 x.62 x.03
13	732-1184	Extension Spring, 84 x 4 6	43	738-0137A	Shoulder Screw, 340 x.285, 1/4-20
14	736-0275	Flat Washer, 5/16	44	738-0966	Shoulder Screw, 50 x 50, 3/8-16
16	736-3019	Flat Washer, 31 x 1.062 x 134	45	783-0611	Seat Stop
17	736-3084	Flat Washer, 51 x 1.12 x 06	46	783-0738B	Seat Pivot Bracket
18	738-0138A	Hex Cap Screw, 5/16-18 x.62	47	783-0739A	Seat Adjustment Lever
19	738-0380	Shoulder Screw, 3/8-16	48	783-0753	Seat Adjustment Selector
20	741-0225	Hex Flange Bearing	49	757-04015	High Back Seat, Black
21	741-0715	Snap Flange Bearing	50	735-0656	RH Foot Pad
22	746-0968	Lift Cable, 16 16	51	735-0657	LH Foot Pad
23	747-04155	Lift Handle	—	726-3046	Foot Pad Clips
24	756-1154	Roller Pulley	52	714-0111	Cotter Pin
25	783-0678A	Arm Lift	54	783-0209C	Seat Lift Bracket
26	783-0720A	Deck Stabilizer Bracket	55	726-0201	Speed Clip
27	710-0260A	Carriage Bolt, 5/16 x.62	56	731-2618	RH Fender Flare
28	710-0726	Self-tapping Screw, 5/16-18 x.625	57	731-2619	LH Fender Flare
29	710-0895	Self-tapping Screw, 1/4-15 x 75	58	738-0296	Shoulder Screw, 437 x 286
30	731-1990	Lift Lever Cover	59	710-0932	Carriage Screw 1/4-20 x 1 00
31	731-1993A	Cover w/ Cup Holder	60	712-0271	Sems Nut 1/4-20

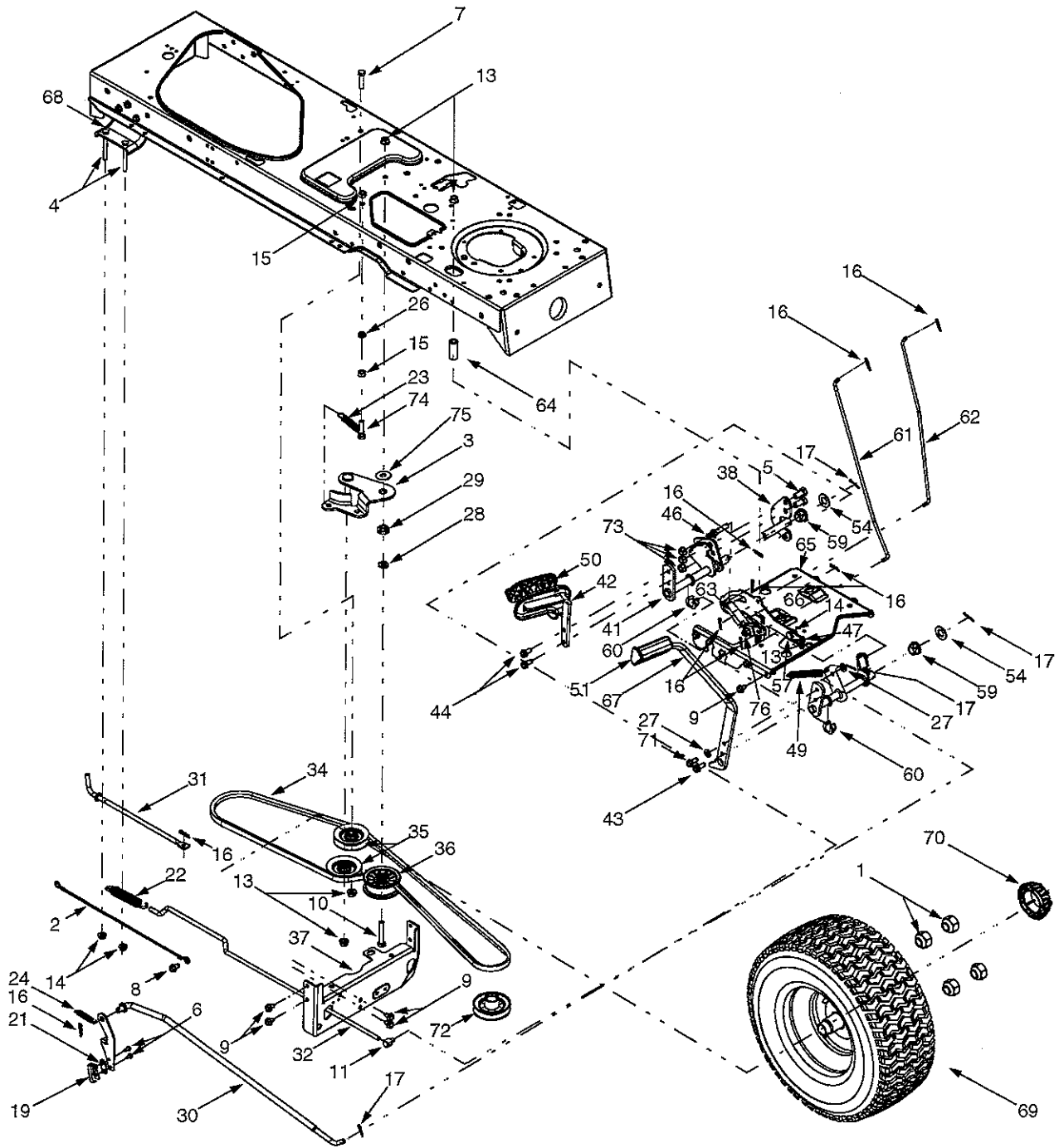
# Model GT 950H



# Model GT 950H

REF. NO.	PART NO.	DESCRIPTION
1	710-04095	Hex Screw, 3/8-16, 1 00, Gr5
2	710-0514	Hex Screw, 3/8-16, 1 00, Gr5
3	710-0643	Hex Screw, 5/16-18, 1 00, Gr5
4	711-1408	Link, Drag, RH
5	711-1409A	Link, Drag, LH
6	712-0214	Nut, Hex Lock, 3/8-24
7	712-04065	Nut, Flange Lock, 3/8-16, Grf, Nylon
8	712-0459	Nut, Flange Lock, 7/16-20
9	712-3004A	Nut, Flange Lock, 5/16-18, Gr5
10	712-0240	Nut, Jam, 7/16-20, Gr2
11	717-1550E	Gear, Steering, 11/90 Ratio
12	717-1554	Gear, Pinion, Steering
13	723-0448A	Ball Joint, 7/16-20, Lock
14	736-3004	Washer, Flat, 406 x 875 x 105
15	736-3084	Washer, Flat, .51 x 1.12 x .06
16	710-0726	Screw, 5/16-12, 0.750
17	738-04154	Spacer, Shoulder, 38 x 1 00 x 31
18	738-1001A	Shaft, Steering, 625 OD x 24 25 Lg
19	741-0475	Plastic Bushing 380 ID
20	741-0656A	Hex Flange Bearing 5/8 PM
21	783-0726D	Pivot Bracket, Support RH
22	783-0727C	Pivot Bracket, Support LH
23	783-0728	Pivot Bracket, Bar
24	631-04008	Steering Wheel, 13 25
25	731-04040	Steering Wheel Cap, Round
26	738-1011	Shoulder Screw, 5 x 2 2, 3/8-16
27	734-2290A	Deluxe Hub Cap
28	736-0316	Flat Washer, .78 x 1.589 x .06
29	714-04039	Cotter Pin, 5/32 x 1 25
30	719-04105	Cast Iron Pivot Bar
31	726-0341	Push Cap
32	638-04005	LH Axle Assembly, .750
33	638-04006	RH Axle Assembly, .750
34	711-0332	Pin, Clevis, 50 x 78
35	714-04023	Cotter Pin, Internal, .080 x 1 5625
36	783-0720A	Adjustment Bracket, Front
37	634-04088	Wheel Assembly Complete,
	734-04148	Tire Only 16 x 7.5 x 8
	634-04082	Rim Only w/ Valve Stem
38	738-0143	Screw, Shoulder, 498 x .340, 3/8-16

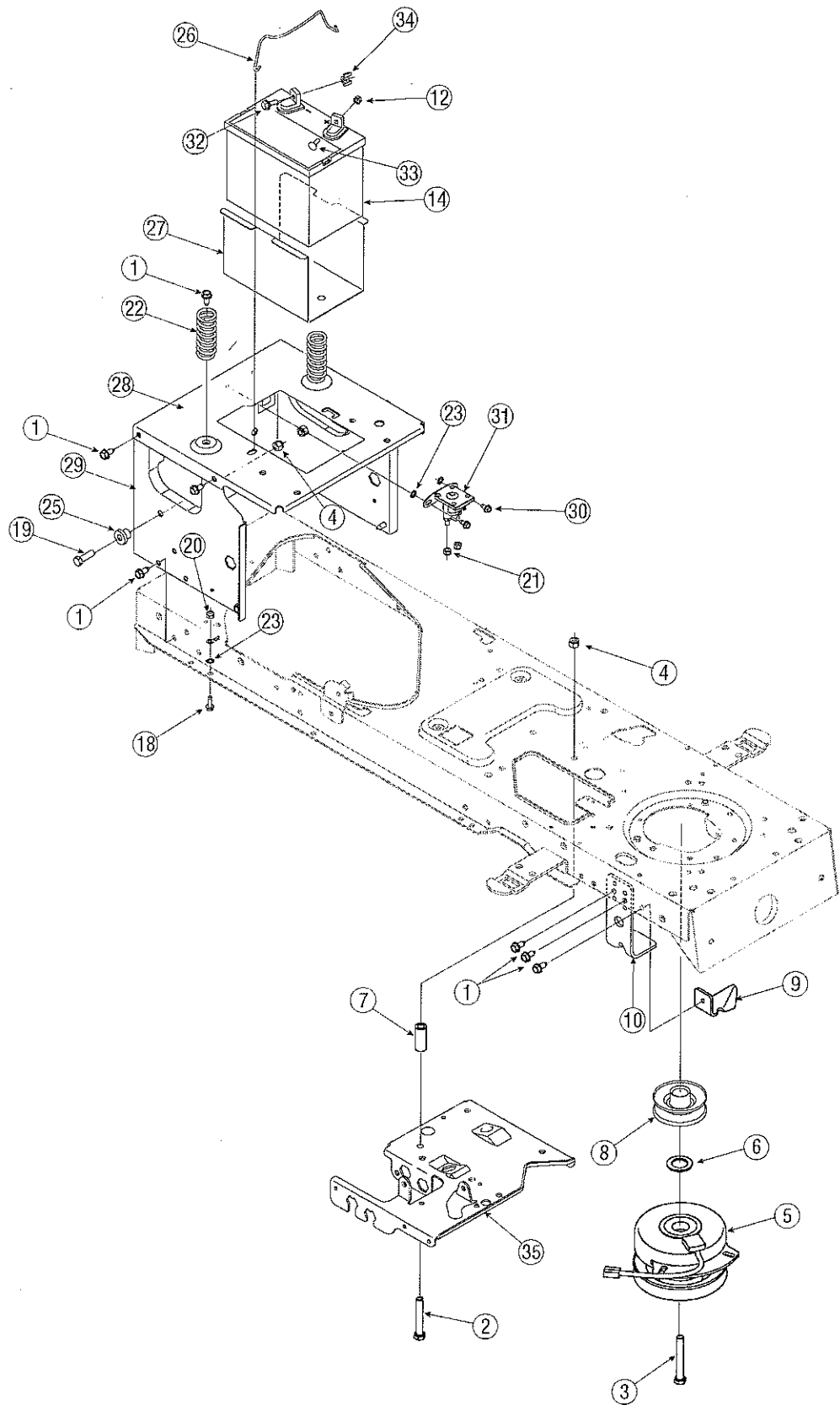
# Model GT 950H



# Model GT 950H

REF. NO.	PART NO.	DESCRIPTION	REF. NO.	PART NO.	DESCRIPTION
1	712-3050	Lug Nut, 3/4-16	41	647-0049A	Drive Control Assembly
2	629-0949A	Reverse/Ground Wire Harness Adapter	42	683-0267C	Hydro Pedal Assembly
3	783-04442	Double Idler Bracket	43	710-0650	Self-tapping Screw, 5/16-18 x 875
4	710-0176	Hex Cap Screw, 5/16-18 x 2 75	44	710-1260A	Self-tapping Screw, 5/16-18 x 75
5	710-0216	Hex Cap Screw, 3/8-16 x 75	46	711-04159B	Pin, 3/8-16 x 2.43
6	710-0227	Screw, #8-18 x 5	47	732-0335	Compression Spring, 40 OD x 1 17
7	710-1007	Hex Cap Screw, 3/8-16 x 1 5	48	732-0955	Extension Spring, 50 OD x 1 41
8	710-0599	Self-tapping Screw, 1/4-20 x 50	49	732-0963	Extension Spring, 50 OD x 6 37
9	710-0726	Self-tapping Screw, 5/16-12 x 75	50	735-0662	Drive Pedal Pad
10	710-3011	Hex Cap Screw, 3/8-16 x 2 25	51	735-3049	Brake Pedal Pad
12	711-0832	Ferrule, 3/8-24	54	736-0187	Flat Washer, 64 x 1.24 x 06
13	712-0431	Flange Lock Nut, 3/8-16	56	736-3004	Flat Washer, 406 x.875 x 105
14	712-04063	Flange Lock Nut, 5/16-18	57	738-0155	Shoulder Screw, 437 x 1 62
15	712-3017	Hex Nut, 3/8-16	59	741-0225	Hex Flange Bearing
16	714-0104	Internal Cotter Pin	60	741-3065B	Split Hex Flange Bearing
17	714-0111	Cotter Pin	61	747-04096	Cruise Control Rod
18	725-0157	Cable Tie	62	747-04093	Brake Lock Control Rod
19	725-1644	Short Spring Switch	63	748-04039B	Cruise Latch
20	726-0154	Push-mount Cable Tie	64	748-0415B	Spacer, 5/16 x 1.54
21	726-0320	Insulator Nut Plate	65	783-04612	Steering Support Bracket
22	732-0716	Extension Spring, 59 x 4.0	66	783-04185	Drive Lockout Bracket
23	732-0429A	Extension Spring, 5 x 3 97	67	783-0773A	Brake Pedal
24	732-3118	Extension Spring, 3/8 x 1.44	68	783-0693	Transmission Axle Bracket
26	736-0169	Lock Washer, 3/8	69	634-0202A	Wheel Assembly Comp , 23 x 9 5 x 12
27	736-3008	Flat Washer, 344 x 750 x .120		634-3178	Rim Only 12.0 x 7 0
28	736-3010	Flat Washer, 407 x 812 x .135		734-0255	Air Valve (Not Shown)
29	738-0372B	Shoulder Spacer, 38		734-04147	Tire Only 23 0 x 10 5 x 12 Sq Shoulder
30	747-1119	Hydrostatic Control Rod	70	734-2290A	Hub Cap
31	747-1121	Hydrostatic Bypass Rod	71	710-1611B	Self-tapping Screw, 5/16-18 x 75
32	747-04140	Hydrostatic Brake Rod	72	756-0978A	Engine Pulley
34	754-0349	Drive Belt	—	618-0379	Hydrostatic Transmission Assembly
35	756-0116A	V-idler Pulley, 3.06	73	712-04065	Flange Lock Nut 3/8-16
36	756-0981B	Flat Idler Pulley, 2.75	74	710-0344	Hex Cap Screw, 3/8-16 x 1.5
37	783-0667B	Transmission Torque Bracket	75	736-0320	Flat Washer.38 x 1.38 x .125
38	783-0745	Speed Control Bracket	76	738-0380	Shoulder Screw 3/8-16 50 x 27
39	783-0782	Switch Actuator Bracket			
40	647-0031B	Brake Control Assembly			

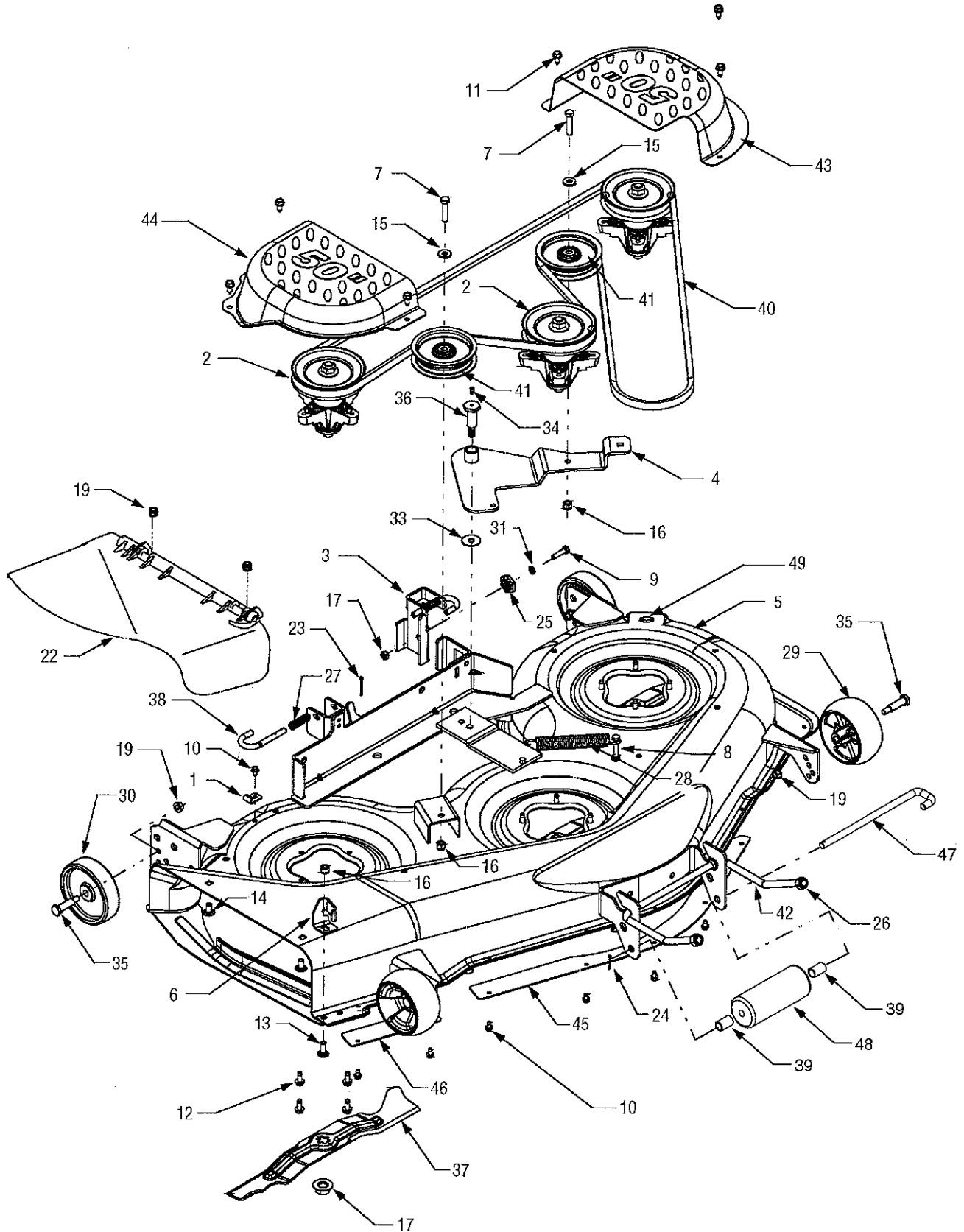




# Model GT 950H

REF. NO.	PART NO.	DESCRIPTION
1	710-0726	Screw, 5/16-12, 0.75
2	710-0859	Screw, 3/8-16, 2.50, Gr5
3	710-3157A	Screw, 7/16-20, 3.25, Gr5, Lock
4	712-04065	Nut, Flange Lock, 3/8-16, GrF, Nylon
5	717-04174	PTO Clutch, Electric
6	736-0277	Washer, Flat, 1.031 x 1.620 x .095
7	748-0415B	Spacer, .385 ID x .635 OD x 1.54
8	756-0978A	Pulley, Engine, 3.56 Diameter
9	783-04419A	Clutch Bracket
10	783-04467	Deck Bracket, Up-Stop
11	710-0703	Screw, Carriage, 1/4-20, 75, Gr5
12	712-0271	Nut, Sems, 1/4-20
13	712-3087	Nut, Wing, 1/4-20
14	725-1750A	Battery, 235 CCA
15	738-1132	Screw, Shoulder, 250 x 150, 1/4-20
16	683-04173	Frame Assembly, Lower
17	710-0607	Screw, 5/16-18, 0.500
18	710-0642	Screw, 1/4-20, 0.750
19	710-3005	Screw, 3/8-16, 1.25, Gr5
20	712-04064	Nut, Flange Lock, 1/4-20, GrF, Nylon
21	712-3006	Nut, Hex, 1/4-20, Gr5
22	732-04035	Spring, Compression, 1.28 OD x 3.125
23	736-0222	Washer, Lock, 1/4, External
24	736-0329	Washer, Lock, 1/4
25	738-04058	Spacer, Shoulder, 38 x 1.0 x .70
26	747-04121A	Hold Rod, Battery
27	783-0349	Battery Tray
28	783-04329A	Seat Bracket, Frame
29	783-04376A	Frame, Upper
30	710-0599	Screw, 1/4-20, 0.50
31	725-1426	Solenoid, 12V, 100 Amp
32	738-1132	Screw, Shoulder, 250 x 15, 1/4-20
33	710-0703	Screw, Carriage, 1/4-20, 75
34	712-3087	Nut, Wing, 1/4-20
35	783-04612	Support Bracket, Steering

# Model GT 950H

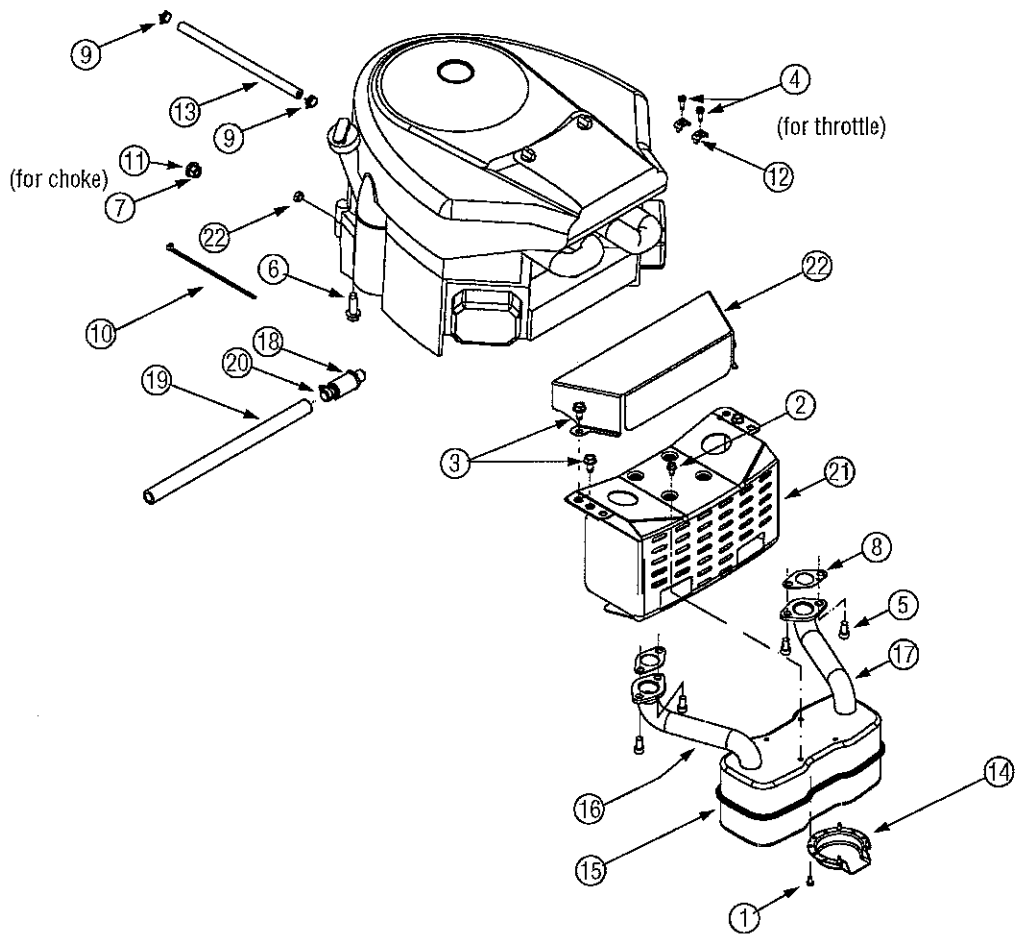


# Model GT 950H

REF. NO.	PART NO.	DESCRIPTION	REF. NO.	PART NO.	DESCRIPTION
1	16606	Hook, Retainer	26	712-3083	Lock Nut, Hex, 1/2-13, Nylon
2	618-04126	Spindle Assembly	27	732-0306A	Spring, Compression, .531 x 1 75
3	683-0254B	Hanger Bracket Assembly	28	732-0459B	Spring, Extension, 94 x 6 74
4	683-04098	Idler Bracket	29	734-04039	Deck Wheel, 5 0
5	683-04109B	Weldment, 50-inch Deck	30	734-0973	Deck Wheel, 5 0
6	703-3279	Chute Stop	31	736-0119	Washer, Lock, 5/16, Regular Duty
7	710-0347	Screw, 3/8-16, 1 75	32	736-0407	Washer, Bell, .45 x 1 0 x .062
8	710-3103	Screw, 5/16-18 x 2.00	33	736-0406	Washer, Flat, 442 x 1 38 x .060
9	710-0528	Screw, 5/16-18, 1.25, Gr5	34	737-3000	Fitting, Lube, 3/16
10	710-0599	Screw, 1/4-20 x 0 5	35	738-0373	Shoulder Screw
11	710-0607	Screw, 5/16-18 x 625	36	738-3005A	Screw, Shoulder, 68 x 1 59
12	710-1260A	Screw, 5/16-18 x 75	37	742-04053A	Blade
13	710-3168	Screw, Carriage, 3/8-16 x 1.0	38	747-1116	Rod, Handle, Deck Release 375 Via
14	710-3178	Screw, Carriage, 3/8-16 x 75	39	750-0151	Spacer, .550 x .755 x 1 1
15	736-0300	Washer, Flat, 406 x .875 x .059	40	754-04077	Belt, V-Type, Aramid
16	712-04065	Nut, Nylon Lock, 3/8-16	41	756-04129	Pulley, Idler, 3 5"
17	712-0417A	Nut, Hex, Flange, 5/8-18	42	747-1324	Rod, Deck Adjustment
18	712-04063	Nut, Nylon Lock, 5/16-18	43	783-04399	LH Belt Cover
19	712-0431	Nut, Flange Lock, 3/8-16	44	783-04400	RH Belt Cover
20	712-3010	Nut, Hex, 5/16-18, Gr5	45	783-04414	Deck Skirt, Center
21	712-3019	Nut, 7/16-14	46	783-04415	Deck Skirt, RH
22	631-04070	Chute Assembly, Side Discharge	47	711-1737	Roller Pin, 5"
23	714-0470	Pin, Cotter, 1/8 x 1 25	48	731-3005	Front Roller
24	714-0111	Pin, Cotter, 3/32 x 1 25	49	738-04146	Screw Plug
25	717-04074	Deck Adjustment Gear			

**IMPORTANT:** For a proper working machine, use Factory Approved Parts. **V-belts** are designed to engage and disengage safely. A substitute (non OEM) V-belt can be dangerous by not disengaging completely.

# Model GT 950H

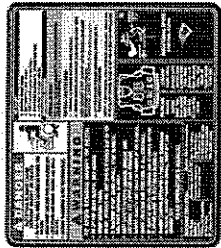


REF. NO.	PART NO.	DESCRIPTION	REF. NO.	PART NO.	DESCRIPTION
1	710-0227	Screw, #8-18 x .50	12	751B221535	Casing Clamp
2	710-0599	Screw, 1/4-20 x .50	13	751-0535	Fuel Line Hose
3	710-0726	Screw, 5/16-18 x .750	14	751-0564A	Muffler Deflector
4	710-1237	Screw, #10-32 x .625	15	751-0616A	Muffler, Twin Inlet
5	710-1314A	Socket Cap Screw, 5/16-18 x .625	16	751-0650B	RH Exhaust Pipe
6	710-1315	Self-tapping Screw, 3/8-16 x 1.25	17	751-0651B	LH Exhaust Pipe
7	712-3017	Hex Nut, 3/8-16	18	751-3140	Oil Drain Valve
8	721-0460	Exhaust Gasket	19	751-3141	Oil Drain Hose
9	726-0205	Hose Clamp	20	751-3142	Oil Drain Cap
10	725-0157	Cable Tie	21	783-0615D	Muffler Heat Shield
11	736-0300	Lock Washer, .406 x .875 x .059	22	712-0271	Sems Nut, 1/4-20

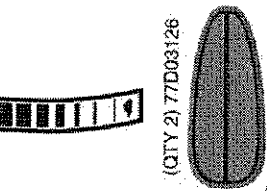
(MODEL PLATE)



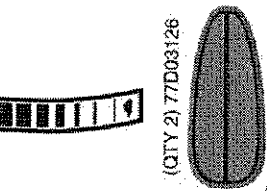
777D03899  
CENTER ON REAR FENDER



777S32619



777I20881



(QTY 2) 77D03126



777D07661  
Operator's Right Hood Side

777D08674

PLACE ON ENGINE SPINNER



777D08745

PLACE ON ENGINE



778-10606

PLACE BETWEEN THE DASH AND THE IGNITION CLUSTER BEFORE CLUSTER IS ASSEMBLED INTO DASH.



778-10609

PLACE BETWEEN THE DASH AND INSTRUMENT CLUSTER BEFORE CLUSTER IS ASSEMBLED INTO DASH.



(2) 777D03484



777D07662  
Operator's Left Hood Side



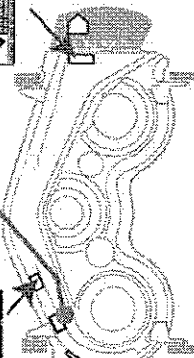
(2) 777D08646



777D08313



877S30036



777S00315  
KEEP OFF CURVE  
VERTICALLY ON DECK

