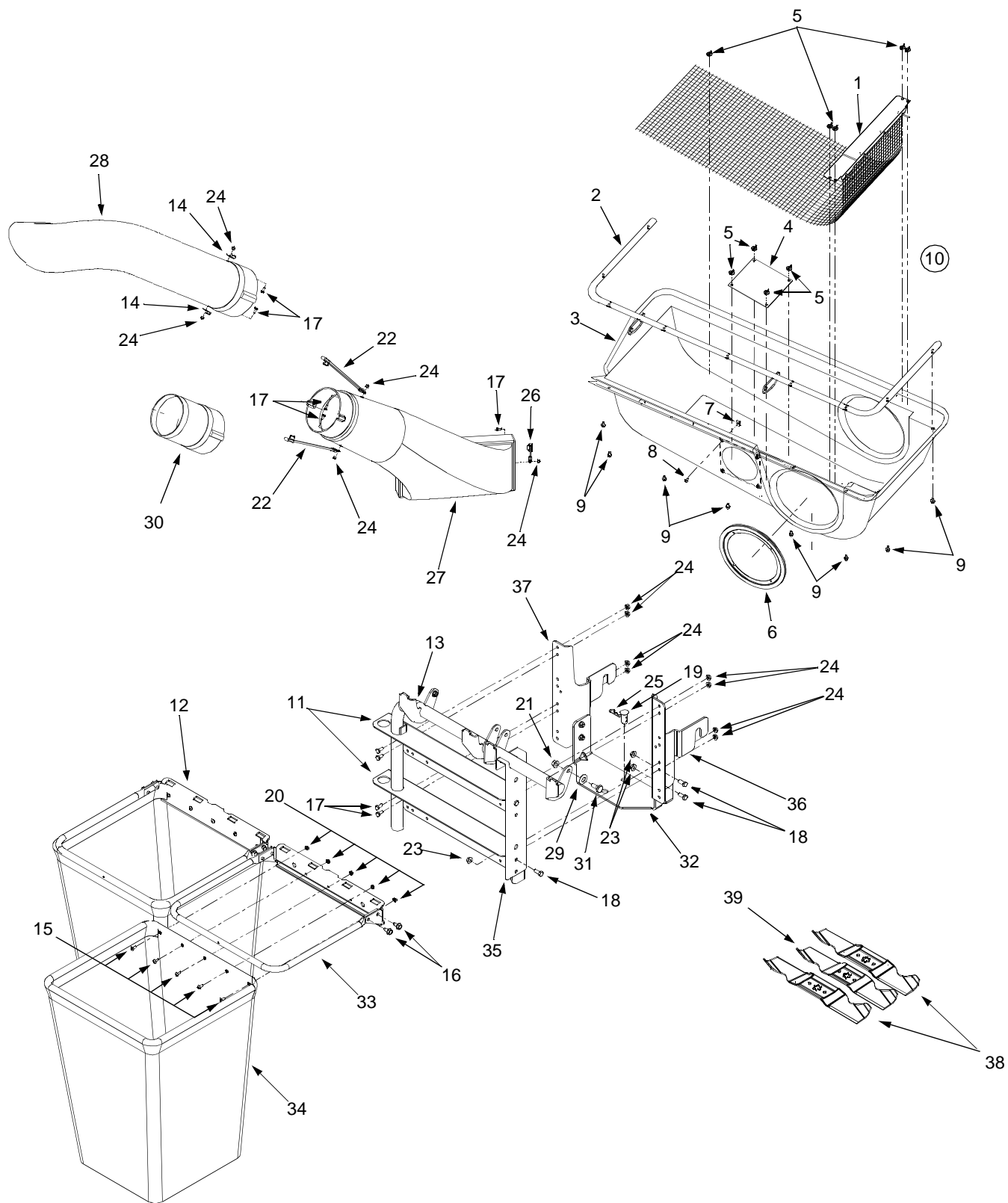


# Model Series 601 & 602



## Model Series 601 & 602

REF. NO.	PART NO.	DESCRIPTION
1	16847A	Screen Assembly
2	16596	Hinge Bracket Assembly
3	731-0821A	Grass Catcher Cover (Model 601)
	731-1417	Grass Catcher Cover (Model 602)
4	731-0824A	Plastic Plate, 1/8 x 5.6 sq.
5	726-0258	Zip Twist Fastener
6	723-0412	Tube Seal (Model 601)
	723-0413	Tube Seal (Model 602)
7	712-0147	U-Type Speed Nut, #10-24
8	710-0351	Screw, #10-16 x .5 (Model 601)
	710-0473	Screw, #10-24 x .5 (Model 602)
9	710-0599	Hex Screw, 1/4-20 x .5 (Model 601)
	710-0896	Hex Screw, 1/4-14 x .625 (Model 602)
10	16594A	Cover Assembly (Model 601)
	631-0007	Cover Assembly (Model 602)
11	16587D	Catcher Support Tube Mounting Bracket
12	16591A	Bag Frame Hanger Bracket
13	16592	Catcher Support Tube Assembly
14	16606	Retainer Hook Bracket
15	710-0473	Screw, #10-24 x .5
16	710-0604A	Self Tapping Screw, 5/16-18 x .625
17	710-0751	Hex Cap Screw, 1/4-20 x .62
18	710-3008	Hex Cap Screw, 5/16-18 x .75
19	711-0309A	Clevis Pin
20	712-0272	Hex Sems Nut, 10-24
21	712-0431	Hex Flange Lock Nut, 3/8-16
22	723-0476	Retainer Strap Assembly
23	712-3004A	Hex Flange Lock Nut, 5/16-18
24	712-3027	Hex Flange Lock Nut, 1/4-20
25	714-0117	Internal Cotter Pin, .148 x 3
26	723-0383	Retainer Strap Assembly
27	731-0827A	Discharge Chute (Model 601)
	731-0925B	Discharge Chute (Model 602)
28	731-0899A	Chute Tube (Model 601)
	731-0926	Chute Tube (Model 602)
29	736-0255	Bell Washer (Model 601)
	736-0253	Bell Washer (Model 602)
30	731-3272	Extension Tube (Model 601)
	731-2299	Extension Tube (Model 602)
31	738-0380	Shoulder Screw, .50 x .27, 3/8-16
32	783-0765	Support Cross Bracket
33	749-0701A	Bag Frame Tube
34	764-0221	Bag
35	783-0601	Catcher Support Bracket
36	783-0673	RH Catcher Support Bracket
37	783-0764	LH Catcher Support Bracket
38	742-0644	Star Center Blade, 16.28 (Model 602)
39	742-0645	Star Center Blade, 14.88 (Model 602)