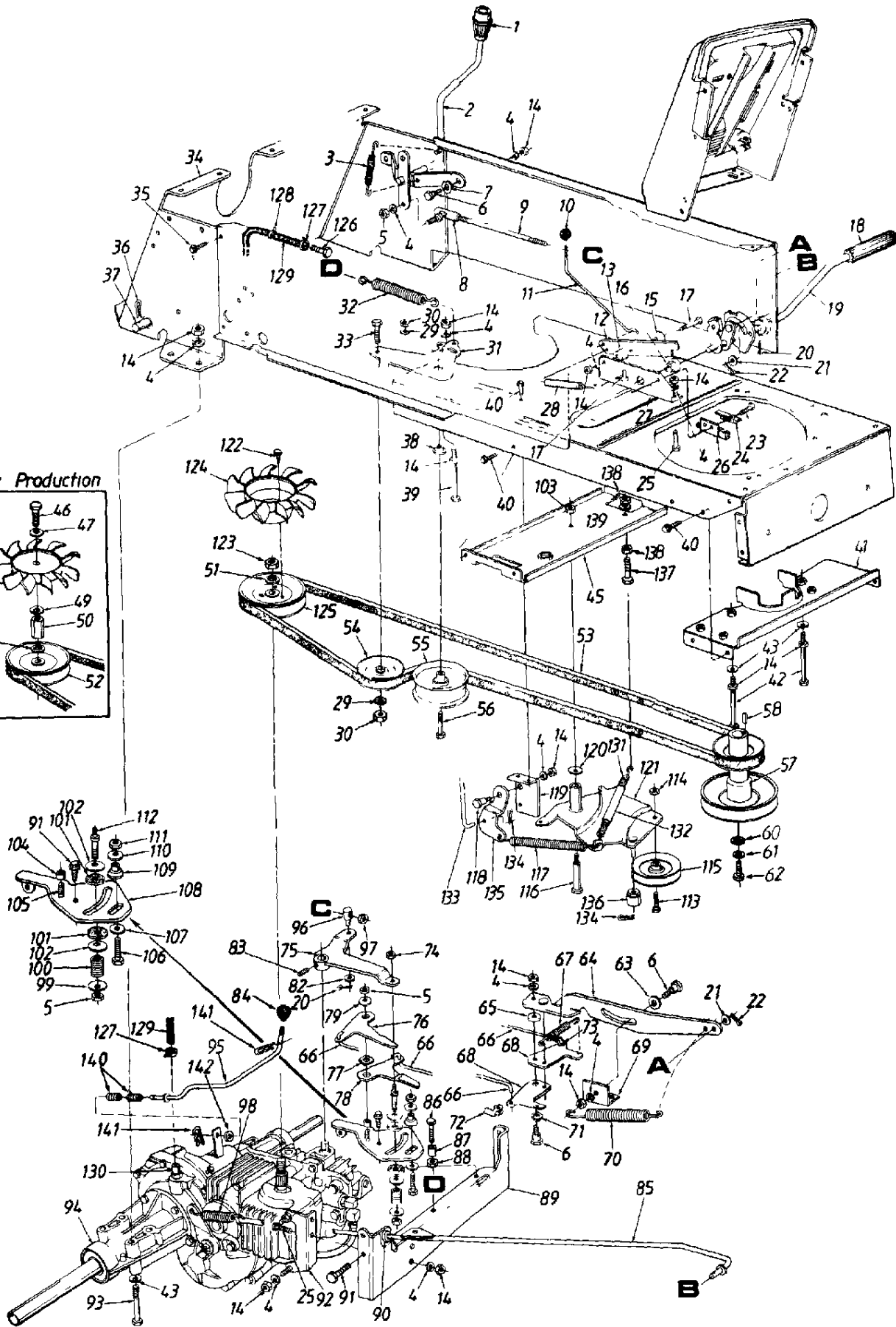
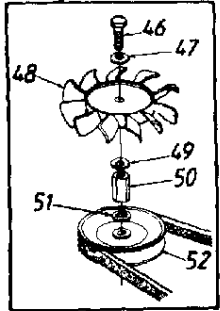


Ref #	Part Number	Qty	S/P/F	Description
1	17347	1	S	Deck Stabilizer
2	17264	1	S	Diagonal Brace
6	683-0052	1	S	46" Deck Ass'y. Comp. New Part
	683-0053	1	S	46" Deck Ass'y. Comp. (Style 9) New Part
	683-0054	1	S	46" Deck Ass'y. Comp. (Electric Clutch) New Part
7	710-0258	1	S	Hex Bolt 1/4-20 x .62" Lg.
8	711-0792	1	S	Hinge Pin
9	712-0287	1	S	Hex Nut 1/4-20 Thd.
10	714-0149B	1	S	Hairpin Clip
12	736-0270	1	/P	Bell-Wash. 1/4" I.D.
13	738-0392	1		Deck Connecting Rod
22	618-0111	1	S	Spindle Ass'y. (R.H. & Center) New Part
23	618-0112	1	S	Spindle Ass'y. (L.H.) New Part
29	736-0119	1	S/F	Lock Wash. 5/16" I.D.
30	736-0510	1	S	Bell-Wash..47" I.D. x 1.5" New Part
31	742-0543	1	S	High Lift Blade 14.88" Lg. (Middle) New Part
32	742-0542	1	S	High Lift Blade 16.28" Lg. (R.H. & L.H.) New Part
35	17116	1	S/F	Deck Brake Brkt. Ass'y.
36	17213	1	S	Idler Bracket
37	17258A	1	S	Belt Cover Brkt.- R.H. New Part
38	783-0066	1	S	Belt Cover - L.H. New Part
39	710-0152	1	S	Hex Bolt 3/8-24 x 1.0" Lg.
40	710-0151	1	/P	Hex Bolt 3/8-24 x 2" Lg.
41	710-0559	1	F	Hex Bolt 1/4-28 x 1.75" Lg.
42	710-0599	1	/P	Hex Wash. Hd. Tap-Scr. 1/4-20 x .5" Lg.
43	710-0624	1	/P/F	Hex Bolt 5/16-24 x 1.5" Lg. (Grade 5)
44	710-0698	1	/P	Hex Bolt 1/4-28 x 1.5" Lg.
46	711-0993	1	S	Belt Guard Pin 1/4" Dia.
47	712-0117	1	S/F	Hex Cent. L-Nut 1/4-26 Thd.
48	712-0123	1	/P/F	Hex Nut 5/16-24 Thd.
49	712-0138	1	S/F	Hex Nut 1/4-28 Thd.
50	712-0241	1	/P	Hex Nut 3/8-24 Thd.
51	712-0287	1	S	Hex Nut 1/4-20 Thd.
52	712-0417	1	S	Hex Flange L-Nut 5/16-18 Thd.
53	727-0426	1	S/F	Brake Cable Ass'y.
	727-0445	1	S/F	Brake Cable Ass'y. (Style 9)
54	732-0594A	1	S	Extension Spring 6.17" Lg.
55	732-0429A	1	S/F	Extension Spring 3.97" Lg.
56	736-0105	1	/P	Bell-Wash..38" I.D. x .88" O.D.
57	736-0331	1	/P	Bell-Wash..39" I.D. x 1.13" O.D.
61	736-0329	1	S/F	L-Wash. 1/4" I.D.
62	736-0416	1	F	FI-Wash. 5/16" I.D. x 3" O.D.
63	738-0347	1	S	Shld. Spacer .625" I.D.
64	748-0234	1	/P/F	Shld. Spacer
65	750-0214	1	F	Spacer .34" I.D.
66	750-0470	1	F	Spacer .326" I.D.
67	754-0349	1	S	V-Belt
68	754-0350	1	S	V-Belt
69	756-0627	1	S	FI-Idler Pulley 3.5" O.D.
70	756-0969	1		Pulley 5.0" Dia. New Part
71	756-0977	1	S	Double Pulley 5.0" Dia. New Part
72	711-0701	1	S/F	Clevis Pin 1/4" Dia. x .53" Lg.
73	712-0798	1	/P	Hex Nut 3/8-16 Thd.

Ref #	Part Number	Qty	S/P/F	Description
74	714-0104	1	S/F	Intern. Cotter Pin 5/16" Dia.
75	714-0145	1	S	Intern. Cotter Pin 3/8 Dia.
76	734-0973	1	/P	Deck Wheel 5" Dia.
77	734-3058B	1	S	Deck Wheel w/Insert 5" Dia.
78	736-0169	1	S	L-Wash. 3/8" I.D.
79	736-0192	1	S	FI-Wash..531" I.D.
80	738-0533	1	S	Shoulder Bolt .498" Dia. x 1.64" Lg.
81	738-3056	1	S	Shoulder Bolt
83	732-0602	1	S	Torsion Spring
84	703-1693	1	S	Hinge Mtg. Brkt.
85	726-0106	1	S	Push Nut
86	731-1032	1	S	Chute Ass'y. Comp. (Incl. Ref. 8, 83, 84, 85, 86)
87	750-0757	1	S	Spacer 5/8" I.D. x 7/8" O.D.
88	17982	1	S	Spindle Reinforcement Plate New Part
89	710-1261	1	S	Hex Wash. Hd. Scr. 5/16-18 x 1" Lg. New Part
90	710-1260	1	S	Hex Wash. Hd. Scr. 5/16-18 x .75" Lg. New Part
91	710-1262	1	/P	Hex L-Bolt 7/16-20 x 1" Lg. New Part
92	711-0242	1	S	Spacer.38" I.D.
93	710-0289	1	S	Hex Bolt 1/4-20 x .5" Lg.

Early Production



Drive/Speed Control Assembly/Pedal Assembly/Hitch Plate

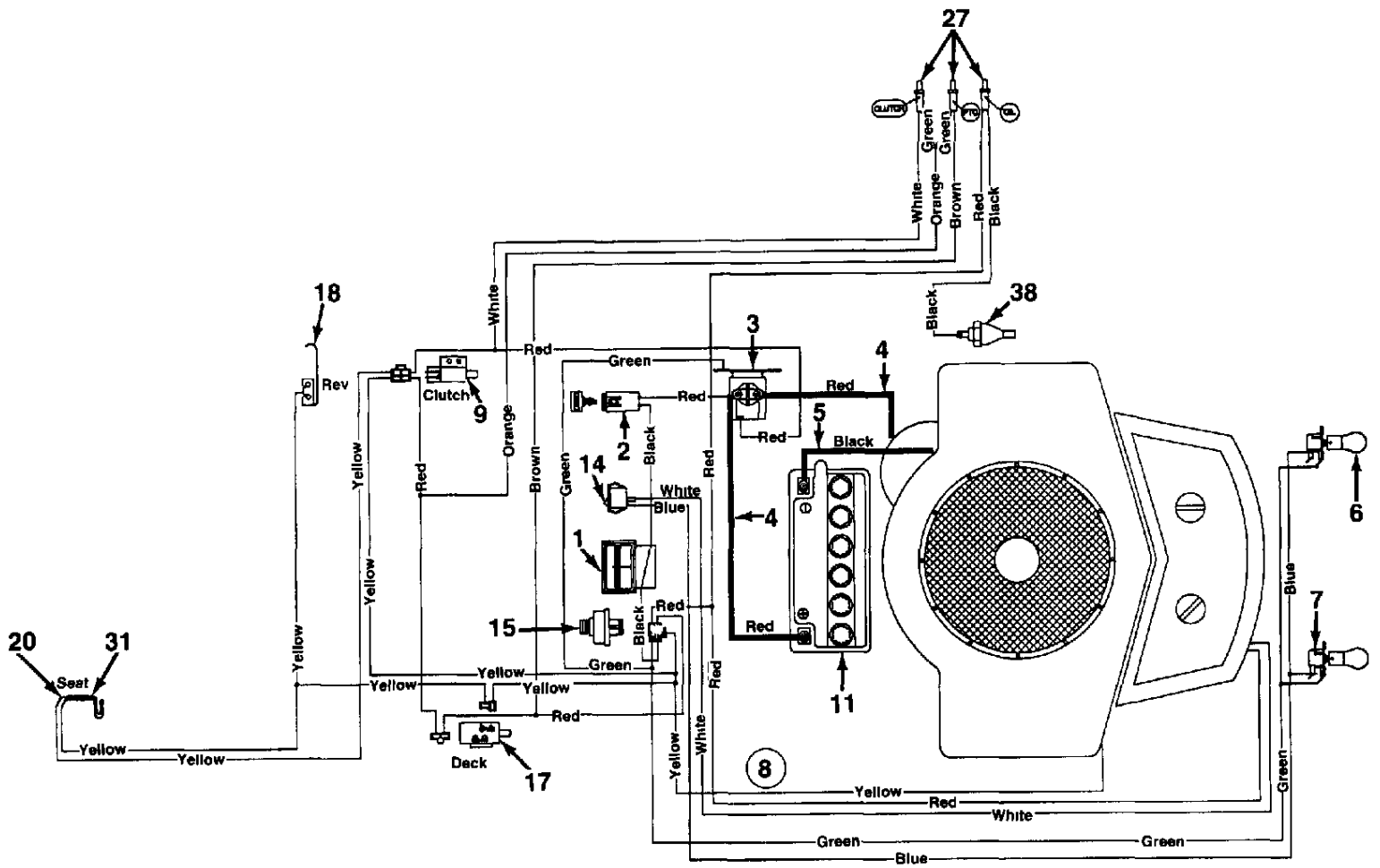
Ref #	Part Number	Qty	S/P/F	Description
1	720-0218	1	/P	Shift Knob
2	647-0010	1		Speed Control Lever Ass'y. New Part
3	732-0433	1		Ext. Spring 2.75" Lg.
4	736-0119	1	S/F	L-Wash. 5/16" I.D.
5	712-0123	1	/P/F	Hex Nut 5/16-24 Thd.
6	738-0296	1	S	Shld. Bolt .437" Dia. x .268"
7	736-0141	1	S	Spr. Wash. .445" I.D. x .75" O.D.
8	723-3012	1	S	Ball Joint 5/16-24 Thd.
9	747-0857	1		Speed Selector Adjusting Rod New Part
10	720-0166	1	S	Ball Knob
11	747-0876	1		Brake Lockout Rod New Part
12	16980	1		Brake Lockout Brkt.
13	750-0214	1		Spacer.34" I.D. x.88" O.D.
14	712-0267	1	S/F	Hex Nut 5/16-18 Thd.
15	748-0234	1	/P	Shld. Spacer .27" Lg.
16	741-0225	1	S	Hex Flange Bearing
17	710-0528	1	/P	Hex Bolt 5/16-18 x 1.25" Lg.
18	735-0196	1	S	Foot Pad
19	17911	1	F	Foot Pedal Ass'y. New Part
20	714-0111	1	S/F	Cotter Pin 3/32" Dia. x 1" Lg.
21	736-0275	1	S	FI-Wash. .34" I.D. x .68" O.D.
22	714-0115	1	S	Cotter Pin 1/8" Dia. x 1" Lg.
23	710-0436	1	S	Hex B-Tap Scr. #10 x .62" Lg.
24	17962	1		Switch Plate
25	710-0118	1	S	Hex Bolt 5/16-18 x .75" Lg.
26	725-3169A	1	S	Safety Switch (Clutch)
27	16924A	1	/P	Clutch Ass'y. Mtg. Brkt.
28	732-0395	1	S	Ext. Spring 2.51" Lg.
29	736-0169	1	S/F	L-Wash. 3/8" I.D.
30	712-0798	1	/P/F	Hex Nut 3/8-16 Thd.
31	783-0056	1		Idler Brkt. New Part
32	732-0470	1	S	Ext. Spring 4.75" Lg.
33	710-0344	1	/P	Hex Bolt 3/8-16 x 1.5" Lg.
34	17344A	1		Hitch Plate New Part
35	710-0726	1	/P	Hex Wash. AB-Tap Scr. 5/16 x .75" Lg.
36	714-0147	1		Hitch Pin
37	738-0482	1		Hitch Rod
38	738-0347	1	S	Shld. Spacer .625" I.D.
39	710-0176	1	/P	Hex Bolt 5/16-18 x 2.75" Lg.
40	710-0599	1	/P	Hex Wash. Hd. TT-Tap Scr. 1/4-20 x .5" Lg.
41	17358C	1	S	Belt Guard Brkt.
42	710-0833	1	/P	Hex Bolt 5/16-18 x 5.25" Lg.
43	736-0242	1	/P	Bell-Wash..345" I.D. x .88" O.D.
45	16888	1	S	Deck Idler Support Brkt.
46	710-1043A	1		Hex Cap Bolt 9/16-18 x .5" Lg. New Part
47	736-0427	1	S	Bell-Wash..567" I.D. x 1.125" O.D.
48	731-0974	1		Fan
49	736-0516	1		FI-Wash. 9/16" I.D. x 1.75" O.D.
50	712-0356	1		Fan Adapter Nut 9/16-18 Thd.
51	736-0508	1		Int. L-Wash. 9/16" I.D.
52	756-0635	1	S	Input Pulley New Part
53	754-0435	1	S	"V"-Belt
54	756-0116	1	S	Idler Pulley

Drive/Speed Control Assembly/Pedal Assembly/Hitch Plate

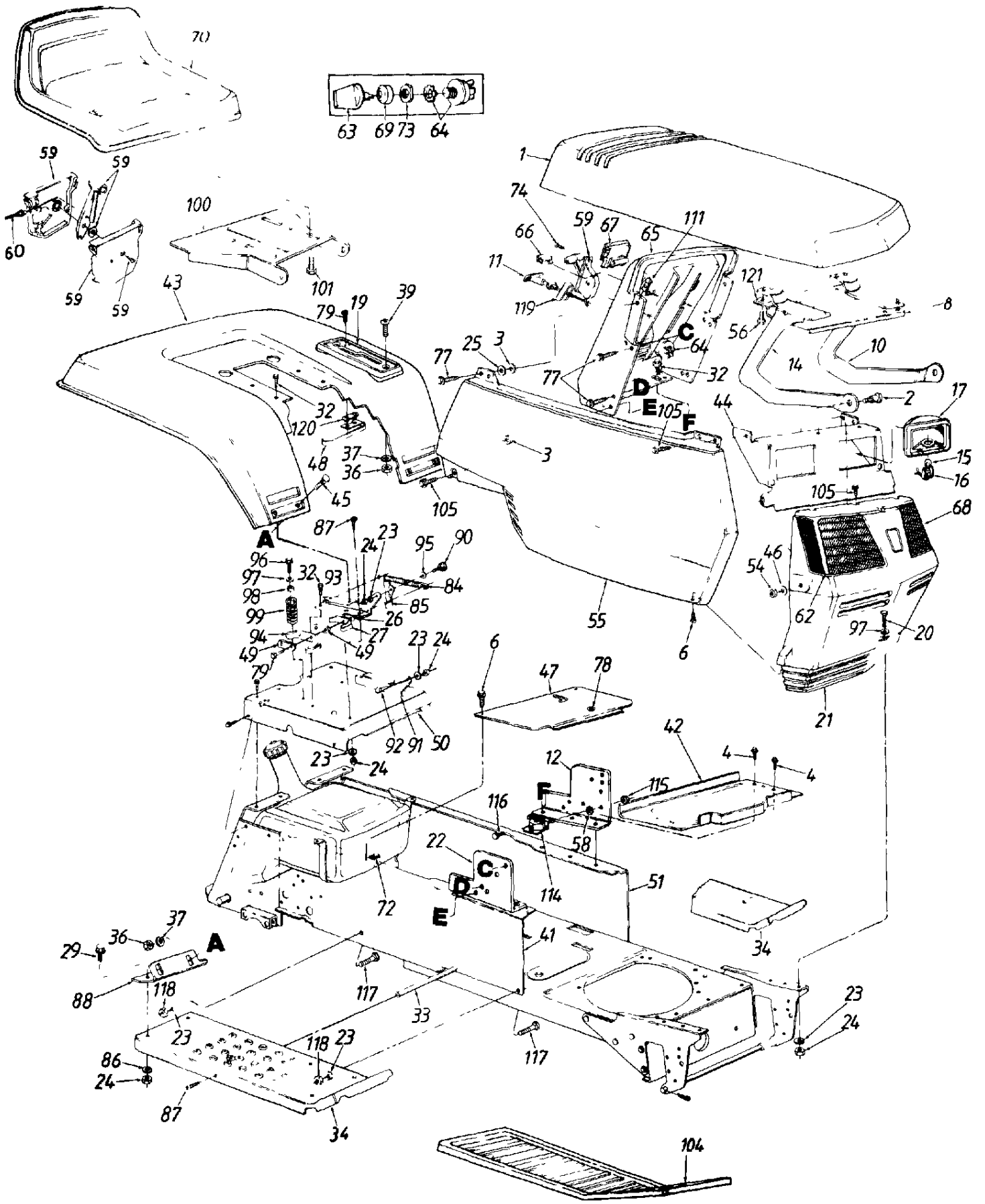
Ref #	Part Number	Qty	S/P/F	Description
55	756-0515	1		FI-Idler Pulley
56	710-3096	1	/P	Hex Bolt 3/8-16 x 2" Lg. (Gr. 8) New Part
57	756-0636	1		Engine Pulley New Part
58	714-0118	1	/P	Sq.-Key 1/4" x 1.5" Lg.
60	732-0322	1		FI-Wash. .44" I.D. x 1.25"
61	736-0171	1	S	L-Wash. 7/16" I.D.
62	710-0757	1	/P	Hex Cap Bolt 7/16-20 x 1.5" Lg.
63	736-0179	1	S	FI-Wash. .531" I.D. x 1.25" O.D.
64	683-0030	1		Neutral Return Link Ass'y. New Part
65	736-3074	1		FI-Wash .344" I.D. x 1.12" O.D. (Hdn.)
66	747-0880	1		Connecting Rod New Part
67	732-0387	1		Ext. Spring 2.5" Lg.
68	17757	1		Balancer Brkt.
69	17755A	1		Bracket New Part
70	732-0717	1		Ext Spring 3.94" Lg. New Part
71	736-0141	1	S	Spr.-Wash .445" I D x .75" O.D.
72	726-0281	1		Rod End Clevis Clip -- R.H.
73	726-0280	1		Rod End Clevis Clip -- L.H.
74	712-0116	1	S	Hex Ins. L-Nut 3/8-24 Thd.
75	683-0032	1		Pintle Bracket Ass'y. New Part
76	783-0053	1		Flat Scissors New Part
77	736-0174	1	/P	Spr Wash. .625" I.D. x .885" O.D.
78	783-0054	1		Offset Scissors New Part
79	736-3078	1	/P	FI-Wash. .344" I.D. x 1" O.D. (Hdn.)
82	736-0185	1	S	FI-Wash. .406" I.D. x .75" O.D
83	710-0257	1		Hex Socket Set Screw New Part
84	720-0187	1		Ball Knob
85	647-0006	1		Brake Rod Ass'y New Part
86	710-0778	1	/P	Hex Wash Hd. Scr 1/4-20 x 1.5" Lg
87	750-0555	1		Spacer 39" Lg.
88	712-3006	1	/P	Hex Nut 1/4-20 Thd. (Gr. 5)
89	783-0051	1		Transaxle Torque Brkt. New Part
90	731-0555A	1	/P	Grommet
91	710-0604	1	S	Hex Wash Hd. TT-Tap Scr. 5/16-18 x .62" lg
92	783-0050	1		Transaxle Torque Brace New Part
93	710-0189	1	/P	Hex Bolt 5/16-18 x 3" Lg.
94	718-0241	1	S	Transaxle (See Breakdown); New Part
95	747-0909	1		Bypass Rod New Part
96	711-0198	1	S	Ferrule 3/8-24 Thd.
97	712-0711	1	/P	Hex Jam Nut 3/8-24 Thd.
98	732-0716	1	S	Ext. Spring 4.01" Lg.
99	736-3008	1	S	FI-Wash .312" I.D x .75" O.D
100	732-0718	1		Comp. Spring 1.19" Lg. New Part
101	761-0196	1	S	Friction Washer
102	736-0219	1	S	Bell-Wash .40" I.D. x 1.13" O.D.
103	712-0375	1	/P	Hex Cent L-Nut 3/8-16 Thd.
104	750-0808	1	/P	Spacer
105	710-1012	1	/P	Rib Neck Bolt 5/16-18 x .62" Lg.
106	710-0299	1		Hex Bolt 1/4-28 x 1" Lg. (Gr. 5)
107	736-3090	1	/P	FI-Wash. .26" I.D. x .72" O.D.
108	783-0052	1		Scissors Mtg. Brkt. New Part
109	750-0918	1		Centering Gauge Spacer
110	736-0270	1	/P	Bell-Wash. 1/4" I.D.

Drive/Speed Control Assembly/Pedal Assembly/Hitch Plate

Ref #	Part Number	Qty	S/P/F	Description
111	712-0138	1	S/F	Hex Nut 1/4-28 Thd.
112	738-0879	1	S	Friction Disc Stud New Part
113	710-0459	1	S	Hex Bolt 3/8-24 x 1.5" Lg.
114	712-0214	1	S	Hex Cent. L-Nut 3/8-24 Thd.
115	756-0293A	1	S	V-Belt Idler
116	738-0129	1		Shld. Bolt .498" Dia. x 2.05
117	732-0478	1	S	Ext. Spring 6.12" Lg.
118	738-0155	1	S	Shld. Bolt .437" Dia. x .162"
119	13833	1	S	Parking Brake Mtg. Brkt.
120	736-0105	1	/P	Bell-Wash. .38" I.D. x .88" O.D.
121	14076A	1	S	Idler Brkt. Deck Ass'y.
122	710-3007	1	/P	Hex Wash. Hd. Tap Scr. #12 x 3/8" Lg.
123	712-3035	1	/P	Hex Jam Nut 9/16-18 Thd.
124	731-1449	1	S	Fan New Part
125	756-0635A	1	/P	Input Pulley New Part
126	731-1476	1	S	Plastic Vent
127	735-0149	1	S	Rubber Grommet
128	725-0157	1	/P	Cable Tie
129	751-0588	1		Hose 1/2" I.D. x 18" Lg.
130	737-0294	1		Hose Fitting
131	732-0308	1	S	Ext. Spring 6.37" Lg.
132	731-0757	1		Convolute Conduit
133	747-0708	1	S	Deck Control Rod
134	714-0104	1	S	Internal Cotter Pin
135	13887	1	S	Deck Control Pivot Brkt.
136	748-0278	1	S	Spacer
137	710-0501	1	/P/F	Hex Bolt 1/4-20 x 2" Lg.
138	712-0287	1	S/F	Hex Nut 1/4-20 Thd.
139	736-0329	1	S/F	L-Wash 1/4" I.D.
140	732-0145	1	/P	Comp. Spring 1" Lg.
141	714-0104	1	S	Hairpin Clip
142	736-0463	1	S	FI-Wash. 1/4" I.D.

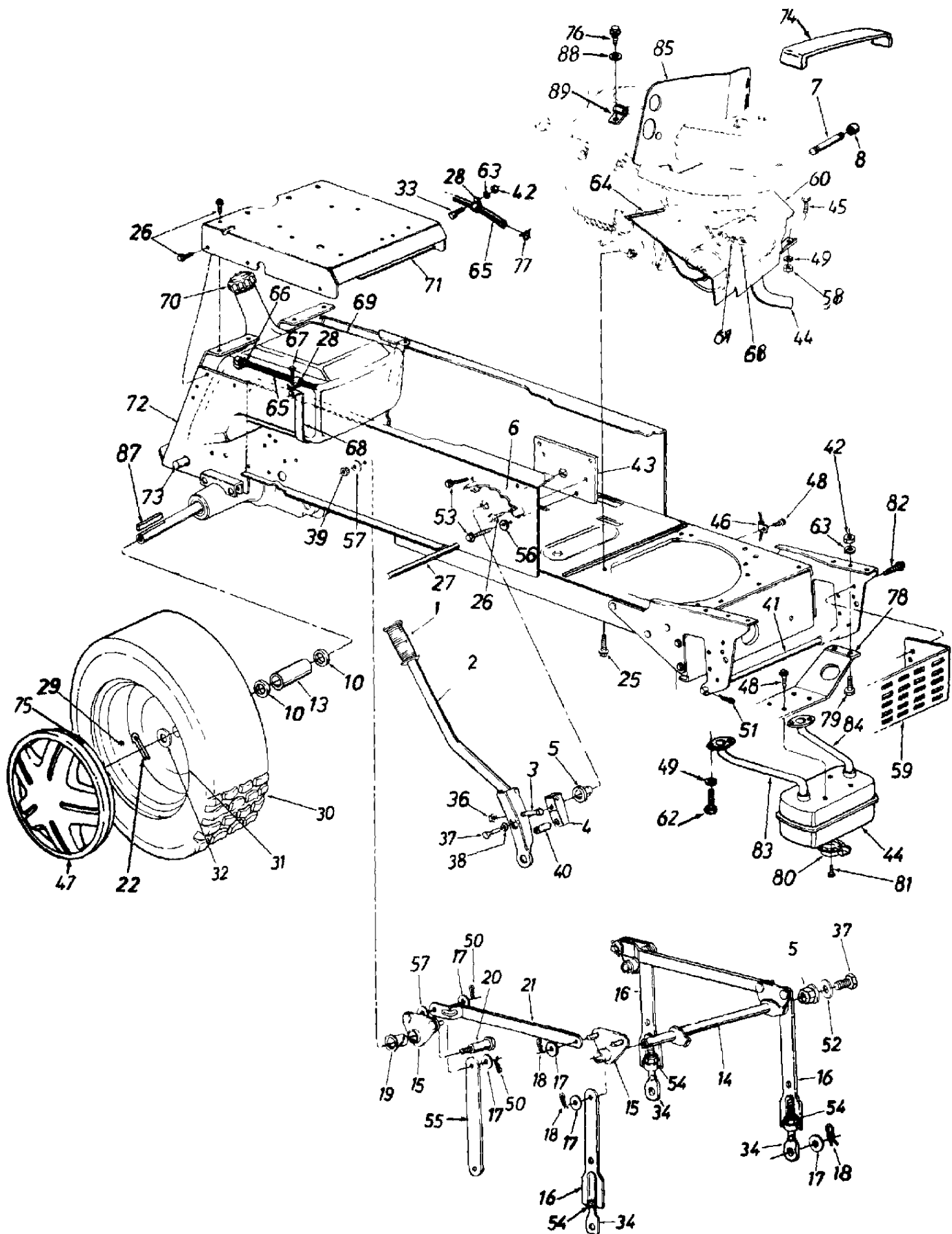


Ref #	Part Number	Qty	S/P/F	Description
1	725-0925	1	S	Ammeter
2	725-1625	1		Fuse 7.5 Amp Model 143V834H401
2	725-1381	1	S	Fuse 20 Amp Model 143W834H401
3	725-1426	1	S	Solenoid
4	725-0561	1	S	Wire
5	725-0996	1	S	6 Ga. Black Wire 7.5" Lg.
6	725-0963	1	S	Bulb
7	725-1650	1	S	Socket
8	629-0110	1		Wire Harness New Part - Model 143V834H401; Code N
	629-0117	1	S	Wire Harness New Part - Model 143W834H401; Code N
9	725-3169A	1	S	Safety Switch (Clutch)
11	725-1635	1	S	Battery (275 Cold Crank Amps)
14	725-0634	1	S	Light Switch
15	725-0267	1	S	Ignition Switch
17	725-0465A	1	S	Safety Switch (Deck)
18	725-1643	1		Spring Lever
20	725-1303	1	S	Safety Switch (Seat)
27	725-1365	1	S	Bulb
31	725-1439	1		Safety Switch (Seat)
38	751-0537	1		Oil Pressure Switch Model 143V834H401



Ref #	Part Number	Qty	S/P/F	Description
1	631-0013	1	/P/F	Hood w/Foam New Part
	731-1433	1	S/F	Hood New Part
2	738-0141	1	S	Shld. Bolt .437" Dia. x .35"
3	726-0233	1	/P	Bolt Retainer 1/4" I.D.
4	710-0776A	1	/P	Hex AB-Tap Scr. 1/4 x .62" Lg.
6	710-0351	1	/P	Truss Mach. B-Tap Scr. #10 x .5" Lg.
8	16808	1		Hood Reinforcement
10	17761	1		Hood Hinge - L.H.
11	746-0614A	1	/P	Choke Control
12	17294	1		Dash Support Brkt. - L.H.
14	17760	1		Hood Hinge - R.H.
15	725-0963	1	S	Lamp
16	725-1650	1	S	Twist Lock - Lamp Socket
17	731-0705	1	S	Headlight Housing
19	731-1053A	1	S	Speed Control Index Brkt.
20	710-0118	1	S/F	Hex Bolt 5/16-18 x .75" Lg.
21	731-1442	1	S	Grille New Part
22	17293	1	S	Dash Support Bracket - R.H.
23	736-0119	1	S/F	L-Wash. 5/16" I.D.
24	712-0267	1	S/F	Hex Nut 5/16-18 Thd.
25	736-0176	1	S	Fl-Wash. 1/4" I.D. x .93" O.D.
26	726-0278	1		Insulator Boss Plate
27	725-1439	1		Seat Spring Switch
29	710-0376	1	/P/F	Hex Bolt 5/16-18 x 1.0" Lg.
32	710-0726	1	/P	Hex Wash. Hd. AB-Tap Scr. 5/16 x .75" Lg.
33	738-0435	1		Running Board Rod
34	16922	1		Running Board - R.H.
	16921	1		Running Board - L.H.
36	712-0287	1	S/F	Hex Nut 1/4-20 Thd.
37	736-0329	1	S/F	L-Wash. 1/4" I.D.
39	710-0166	1	S	Truss Mach. Scr. 1/4-20 x 1.0" Lg.
41	17360A	1	S	R.H. Side Frame New Part
42	17635	1	S	Battery Plate
43	17330A	1		Rear Fender
44	17223	1	S	Light Bracket
45	710-0167	1	/P/F	Carriage Bolt 1/4-20 x .50" Lg.
46	736-0278	1		FL-Wash..328" I.O. x .68" O.D.
47	17393A	1		Transmission Panel New Part
48	725-1643	1		Reverse Safety Switch
49	726-0279	1		Insulator Plate
50	16848C	1	S	Seat Plate
51	17361B	1	S	L.H. Side Frame New Part
54	712-0158	1	S	Hex Cent. I -Nut 5/16-18 Thd.
55	631-0014	1	S/F	Side Panel Ass'y. - R.H. New Part
	631-0015	1	S/F	Side Panel Ass'y. - L.H. New Part
	731-1434	1	S/F	Side Panel Ass'y. - R.H. New Part
	731-1435	1	/P/F	Side Panel Ass'y. - L.H. New Part
56	710-0896	1	/P	Hex Wash. Hd. 8-Tap Scr. 1/4 x .62" Lg.
58	736-0222	1	S	Ext L-Wash. 1/4" I D.
59	831-0823A	1	/P	Throttle Control Box Ass'y.
60	746-0634	1	/P/F	Throttle Control Wire 35" Lg.
	746-0630	1	S/F	Throttle Control Wire - 39" Lg New Part
62	731-0948	1	S	Lens - R H

Ref #	Part Number	Qty	S/P/F	Description
63	725-1341B	1	/P	Ignition Key
64	725-0267	1	S	Ignition Switch
65	731-0957A	1	S	Dash Panel
66	725-0634	1	S	Light Switch
67	725-0925	1	S	Ammeter
68	731-0949	1	S	Lens - L H
69	725-1347	1	/P	Ignition Switch Cap
70	757-0365	1	S	Seat Ass'y New Part
72	726-0139	1	/P	Speed Nut #10Z
73	725-1346	1	S	Ignition Switch Nut
74	710-0779A	1	/P	Truss Mach. AB-Tap Scr #10 x 5" Lg.
77	710-0642	1	/P	Hex Wash. Hd. Tap Scr 1/4 x 75" Lg.
78	731-0405	1		Snap Bushing
79	710-0227	1	/P	Hex Wash. Hd. AB-Tap Scr #8 x 50" Lg.
84	732-0581B	1	S	Ext. Spring 5.31" Lg.
85	17239A	1	S	Seat Lift Brkt.
86	736-0242	1	/P	Bell-Wash. .345" I.D. x 88" O.D
87	710-0323	1	/P	Truss Machine Scr 5/16-18 x 75" Lg.
88	17406	1	S	Fender Bracket - R.H
	17407	1	S	Fender Bracket - L.H.
90	738-0296	1	S	Shld. Bolt 437" Dia. x 268"
91	17701	1	S	Seat Pivot Brkt. Support - L.H.
92	738-0155	1	S	Shld. Bolt .437" Dia. x .162"
93	17702	1	S	Seat Pivot Brkt. Support - R.H.
94	725-1303	1	S	Spring Switch
95	736-0141	1	S	Spr.-Wash. .445" I.D.
96	710-0601	1	S	Hex Wash. Hd. Tap Scr. 5/16-18 x .75" Lg.
97	736-3078	1	/P	FI-Wash. .344" I.D, x 1" O.D.
98	722-0160	1		Bushing
99	732-0588	1		Compression Spring
100	15607D	1	S	Seat Pivot Bracket
101	710-0623	1	/P	Hex Tap Scr 3/8-16 x .75"
104	731-1051	1		Foot Pad
105	710-0599	1	/P	Hex Tap Scr. 1/4-20 x .5" Lg.
111	712-0185	1		Speed Nut 1/4-20 Thd.
114	725-1426	1	S	Solenoid
115	712-0271	1	/P	Hex Sems Nut 1/4-20 Thd
116	710-0289	1	S/F	Hex Bolt 1/4-20 x 5" Lg.
117	710-1012	1	/P	Rib Neck Bolt 5/16-24 x 75" Lg.
118	712-0123	1	/P	Hex Nut 5/16-24 Thd.
119	17782	1		Retainer Clip
120	726-0320	1	S	Insulator Nut Plate
121	17762	1	S	Hood Reinforcement Spacer

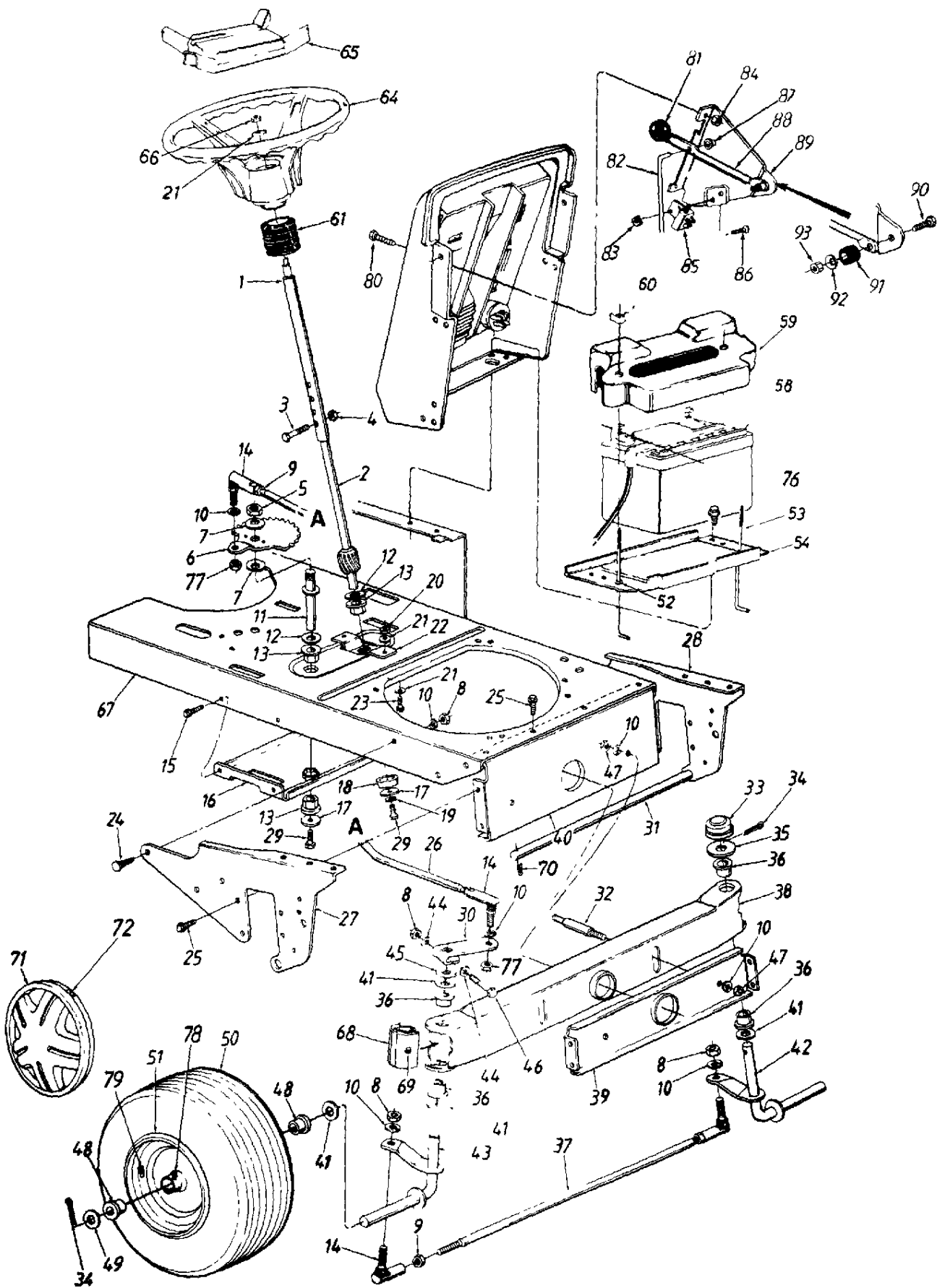


Muffler/Wheels, Rear/Deck Lift & Hanger Assembly/Fuel Tank

Ref #	Part Number	Qty	S/P/F	Description
1	720-0233	1	S	Grip
2	17282	1	S	Lift Handle Ass'y.
3	710-0442	1	S/F	Hex Bolt 5/16-18 x 1.5" Lg.
4	748-0274A	1	/P	Lift Shaft Drive
5	741-0225	1	S	Plastic Hex Brg. 5/8" I.D.
6	14231	1	S	Index Brkt. Deck Lift
7	737-0164	1	S	Oil Drain Pipe
8	737-0143	1	S	Oil Drain Cap
10	736-0163	1	S	Fl-Wash. 1.03" I.D. x 1.62" O.D.
13	750-0762	1		Spacer 1" I.D. x 1.25" O.D.
14	13889	1		Lift Shaft Ass'y.
15	73895	1		Lift Pivot Brkt. Ass'y.
16	17303	1	S	Adj. Deck Lift Link
17	736-0192	1	S	Fl-Wash. 1/2" I.D. x 1.00" O.D. x .090"
18	714-0101	1	S	Hairpin Cotter
19	741-0295	1	S	Nyliner 5/8" I.D. x .88" Lg.
20	738-0445	1	S	Shld. Bolt 5/8" Dia. x .96" Lg. 3/8-16
21	13790	1	S	Connecting Link
22	714-0142	1	/P	Cotter Pin 3/16" Dia. x 1.5" Lg.
25	710-0502A	1	/P	Hex Wash. Hd. Scr. 3/8-16 x 1.25" Lg.
26	710-0726	1	/P	Hex Thd. Rolling Scr. 5/16-18 x .75" Lg.
27	738-0435	1		Running Board Rod
28	726-0272	1	/P	Clamp
29	734-0255	1	S	Air Valve
30	634-0086	1	F	Rear Wheel Ass'y. Comp. New Part
	734-1728	1	F	Tire Only" New Part
31	734-1015	1		Rear Wheel Rim Only
32	736-0345	1	S	Flat Washer
33	710-0258	1	S	Hex Bolt 1/4-20 x .62" Lg.
34	711-0817	1	S	Eye Bolt Adj. Link 1/2-13 Thd.
36	712-0158	1	S	Hex Cent. L-Nut 5/16-18 Thd.
37	710-0237	1	/P/F	Hex Bolt 5/16-24 x .62" Lg.
38		1		UNKNOWN
39	712-0181	1	S	Hex Top L-Nut 3/8-16 Thd.
40	732-0369	1	S	Compression Spring
41	738-0777	1	S	Deck Connecting Rod
42	712-0287	1	S/F	Hex Nut 1/4-20 Thd.
43	14170	1	S	Index Brkt. Reinforcement Plate
44	751-0474	1	F	Muffler
	751-0557	1	S/F	Muffler
45	710-0118	1	S/F	Hex Bolt 5/16-18 x .75" Lg. Model 143V834H401 Only.
46	726-0273	1		Mounting Clamp
47	734-1789	1	S	Hub Gap New Part
48	710-0599	1	/P	Hex Wash. Hd. TT-Tap Scr. 1/4-20 x .5" Lg. Model 143W834H401 Only.
49	736-0119	1	S/F	L-Wash. 5/16" I.D.
50	714-0111	1	S	Cotter Pin .09 Dia. x 1.0" Lg.
51	714-01498	1		Int. Cotter Pin
52	736-0231	1	S	Flat Wash..34" I D. x 1.12" O.D. x .125"
53	710-0600	1	/P	Hex Wash. Hd. AB-Tap Scr. 5/16-24 x .5" Lg.
54	712-0206	1	S	Hex Nut 1/2-13 Thd.

Muffler/Wheels, Rear/Deck Lift & Hanger Assembly/Fuel Tank

Ref #	Part Number	Qty	S/P/F	Description
55	14399	1	S	Deck Link
56	736-0264	1	S	FI-Wash. 3/4" I.D.
57	736-0219	1	S	Bell-Wash. 4" I.D. x 1.13" O.D.
58	712-0267	1	S/F	Hex Nut 5/16-18 Thd. Model 143V834H401 Only.
59	783-0023	1	S	Heat Shielding Model 143W834H401 Only.
60	16934	1		Front Heat Shields Model 143V834H401 Only.
	783-0105	1		Front Heat Shield New Part; Model 143W834H401 Only.
61	736-0170	1	S	Spec. L-Wash. 5/16" I.D. Model 143V834H401 Only.
62	710-1177	1	/P	Cap Scr. 5/16-18 x 1" Lg. New Part; Model 143W834H401 Only.
63	736-0329	1	S/F	L-Wash. 1/4" I.D.
64	731-0511-12	1		Trim Strip 12" Lg.
65	751-0535-46	1	/P	Fuel Line 46" Lg.
66	726-0205	1	/P	Hose Clamp
67	710-0776	1	S	Hex AB-Tap Scr. 1/4 x 62" Lg.
68	17424	1		Fuel Tank Strap
69	751-0566	1		Gas Tank
70	751-0531B	1	/P	Gas Gauge
71	16848C	1	S	Seat Plate
72	17344A	1		Hitch Plate New Part
73	738-0482	1		Hitch Rod
74	723-3061	1		Heat Baffle Sealant New Part
75	727-0425A	1	S	Spring Clip
76	710-0351	1	/P	Truss Mach. B-Tap Scr. #10 x .5" Lg.
77	726-0272	1	/P	Hose Clamp
78	17958	1		Muffler Mounting Brkt. Model 143W834H401 Only.
79	710-0258	1	S	Hex Bolt 1/4-20 x .62" Lg. Model 143W834H401 Only.
80	751-0564	1	S	Muffler Deflector Model 143W834H401 Only.
81	710-0148	1	/P	Hex Wash. Hd. F-Tap Scr. #8 x .32" Lg. Model 143W834H401 Only.
82	710-0604	1	S	Hex Wash. Hd. TT-Tap Scr. 5/16"-18 x .62" Lg. Model 143W834H401 Only.
83	751-0598	1		Exhaust Tube - R.H. New Part; Model 143W834H401 Only.
84	751-0589	1		Exhaust Tube - L.H. New Part; Model 143W834H401 Only.
85	17319	1		Top Heat Shields
	783-0104	1		Top Heat Shield New Part; Model 143W834H401 Only.
87	714-0120	1		Sq. Key 1/4" x 3" Lg.
88	736-3067	1		FI-Wash..188" I.D. x .438" O.D. Model 143V834H401 Only.
89	726-0272	1	/P	Clamp Model 143V834H401 Only.

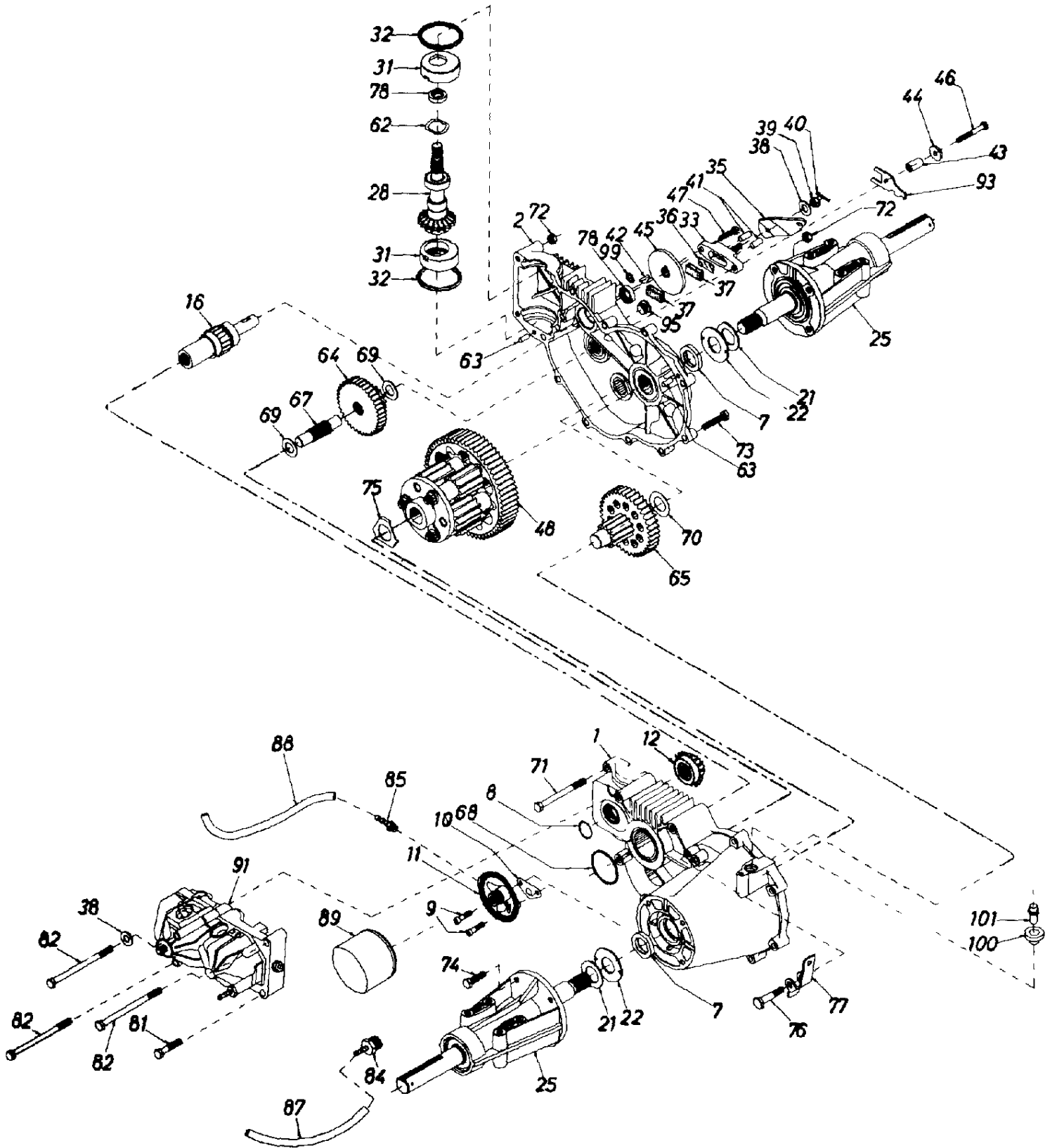


Steering Assembly/Battery/Axle, Front/Frame, Lower/Wheels, Front

Ref #	Part Number	Qty	S/P/F	Description
1	16512	1	S	Steering Column Ass'y.
2	738-0763	1	S	Lower Steering Shaft
3	710-0958	1	/P	Hex Bolt 1/4-20 x 1.31" Lg.
4	712-0324	1	S	Hex L-Nut 1/4-20 Thd.
5	712-0337	1	F	Hex Nut 5/8-18 Thd.
6	717-0943A	1	S	Steering Gear Segment
7	736-0317	1	/P	Bell-Wash. 5/8" I.D. x 1.25" O.D.
8	712-0241	1	/P	Hex Nut 3/8-24 Thd.
9	712-0711	1	/P	Hex Jam Nut 3/8-24 Thd.
10	736-0169	1	S/F	L-Wash. 3/8" I.D.
11	738-0768	1		Steering Gear Segment Shaft
12	736-0187	1	/P	FI-Wash. .64" I.D. x 1.24" O.D.
13	748-0227A	1	S	Hex Flange Brg..63" I.D.
14	723-3018	1	S	Ball Joint Ass'y.
15	710-0599	1	/P	Hex Wash. Hd. TT-Tap Scr. 1/4-20 x .5" Lg.
16	16888	1	S	Deck Idler Support Brkt.
17	736-0343	1	/P	FI-Wash. .33" I.D. x 1.25" O.D.
18	750-0532	1	S	Spacer .985" I.D. x 1.25" O.D.
19	736-0119	1	S/F	L-Wash. 5/16" I.D.
20	712-0123	1	/P/F	Hex Nut 5/16-24 Thd.
21	736-0242	1	/P	Bell-Wash. .345" I.D. x .88" O.D.
22	16894	1	S	Bearing Retainer Brkt.
23	710-0157	1	/P	Hex Bolt 5/16-24 x .75" Lg.
24	710-0793	1		Ribbed Neck Bolt 3/8-24 x .8" Lg.
25	710-0604	1	S	Hex Wash. TT-Tap Scr. 5/16-18 x .62" Lg.
26	747-0579	1	S/F	Steering Drag Link
	747-0899	1	S/F	Steering Drag Link New Part
27	16896	1		Pivot Bar Side Plate - R.H.
28	16897	1		Pivot Bar Side Plate - L.H.
29	710-0538	1	/P	Hex Bolt 5/16-18 x .62" Lg.
30	16918	1	S	Steering Arm
31	738-0777	1	S	Deck Connecting Rod
32	738-0775	1		Pivot Bar Shld. Bolt 3/8-16 x 5/8" Lg.
33	731-0484A	1	S	Cap
34	714-0121	1	S	Cotter Pin 5/32" Dia.
35	736-0316	1	S	Flat Washer
36	741-0523	1	S	Flange Brg. .757" I.D.
37	747-0721	1		Tie Rod 20.25" Lg.
38	16843	1	S	Pivot Bar Assy.
39	16889	1	S	Pivot Bar Support Brkt.- Front
40	16890	1	S	Pivot Bar Support Brkt.- Rear
41	736-0188	1	/P	FI-Wash. .76" I.D. x 1.49" O.D.
42	16915	1	S	Front Axle Ass'y.- L.H.
43	16914	1	S	Front Axle Ass'y.- R.H.
44	736-0286	1	S	Bowed Washer
45	748-0160	1	S	Spacer 755" I.D. x 1.25" O.D.
46	710-0331	1	/P	Hex Bolt 3/8-24 x 2.25" Lg.
47	712-0798	1	/P/F	Hex Nut 3/8-16 Thd.
48	741-0516	1	S	Flange Brg. 75" I.D.
49	736-0316	1	S	FI-Wash..71" I.D. x 1.5" O.D.
50	634-0084	1	F	Wheel Ass'y. Comp New Part
	734-1727	1	/P/F	Tire Only New Part
51	734-1501A	1	S	Rim Only

Steering Assembly/Battery/Axle, Front/Frame, Lower/Wheels, Front

Ref #	Part Number	Qty	S/P/F	Description
52	726-0271	1	S	Push Nut
53	711-0222	1	S	Battery Hold Down Rod
54	17635	1	S	Battery Plate
58	725-1635	1	S	Battery (275 Cold Crank Amps)
59	731-1132	1		Battery Cover
60	712-0113	1	S	Wing Nut Plastic 1/4-20 Thd.
61	731-0954	1	S	Steering Bellow
64	731-0806A	1	S	Steering Wheel
65	731-0955	1	S	Steering Wheel Insert
66	712-0237	1	S	Hex L-Nut 5/16-24 Thd
67	17359B	1	S	Lower Frame New Part
68	731-1049	1		Pivot Bar End Cap
69	737-0280	1	S	Grease Fitting
70	714-0149B	1	S	Internal Cotter Pin
71	734-1788	1	S	Hub Cap New Part
72	727-0425A	1	S	Spring Clip
76	710-0776A	1	/P	Hex AB-Tap Scr 1/4 x 62" Lg.
77	712-0446	1	S	Hex Jam L-Nut 3/8-24 Thd.
78	737-0280	1	S	Grease Fitting
79	734-0255	1	S	Air Valve
80	710-0286	1	/P	Truss Mach. Scr. 1/4-20 x .5" Lg.
81	720-0165	1	S	Ball Knob
82	747-0708	1	S	Deck Control Knob
83	712-0272	1	/P	Hex Sems Nut #10-24 Thd.
84	712-0271	1	/P	Hex Sems Nut 1/4-20 Thd.
85	725-0465A	1	S	Safety Switch
86	710-0473	1	/P	Truss Mach. Scr, #10-24 x .5"
87	726-0106	1	S	Push Nut
88	747-0513	1		Blade Clutch Lever
89	13950A	1		Deck Clutch Control Brkt.
90	710-0106	1	/P/F	Hex Bolt 1/4-20 x 1.25" Lg
91	735-0126	1	S	Rubber Washer
92	736-0173	1	/P	FI-Wash. .281" I.D. x .73"
93	712-0324	1	S	Hex L-Nut 1/4-20 Thd.



Ref #	Part Number	Qty	S/P/F	Description
	918-0241A	1	/P	Transmission Complete
1	HG-52881	1		Housing - L.H. Ass'y.
2	HG-52879	1		Housing - R.H. Ass'y.
7	HG-44782	2		Oil Seal .984" x 1.5" x .25"
8	HG-50070	1		Quad Ring
9		2		Capscrew, 1/4-20 x 1
10	HG-44920	1		Filter Base Gasket
11	HG-70053	1		Filter Base Ass'y.
12	HG-62876	1		Pinion Ass'y.
16	HG-62877	1		Brake Shaft Ass'y.
21	HG-44805	2		Washer, 1.0" x 1.63" x .08"
22	HG-44806	2		Washer, 1.0" x 2.06" x .09"
25	HG-82888	2	S	Axle Mounting Horn Ass'y.
28	HG-70054	1		Input Ass'y.
31	HG-44800	2		Ret. Bearing
32	HG-44802	2		O-Ring 2-1/2" O.D.
33	HG-62589	1		(Sub) Brake Yoke Ass'y.
35	HG-44094	1	/P	Brake Arm
36	HG-44134	1	S	Puck Plate
37	HG-44132	2	S	Brake Puck
38	HG-44130	2	S	Washer, 7/16" x 7/8" O.D. x .060 H.T.
39	HG-44142	1	S	Nut, Castle 5/16-24 PL
40	HG-44101	1	S	Cotter Pin
41	HG-44127	2	S	Brake Actuating Pin
42	HG-44143	1	S	Hi-Pro Key 3/16" x 5/8"
43	HG-23711	1		Torsion Spring Spacer
44	HG-44278	1		Washer 7/8 O.D. x .260 I.D. x 1/8
45	HG-44090	1	S	Disc Brake
46	HG-44300	1		Bolt 1/4-20" x 2 W/Nylok Gr. 5
47	HG-44433	1		Bolt 1/4-20" x 1 W/Nylok Gr. 5
48	HG-62834	1		Differential Ass'y.
62	HG-44843	1		Wave Washer
63	HG-44757	2		Dowel Pin
64	HG-44776	1		Reduction Gear 14T - 38T
65	HG-70051	1		Final Drive Pinion Ass'y.
67	HG-44779	1		Jack Shaft
68	HG-44781	1		O-Ring
69	HG-44795	2		Fl-Wash. 5/8" I.D. x 1-5/32" O.D. Ht.
70	HG-44794	1		Fl-Wash. 7/8" I.D. x 1-1/2" O.D. Ht.
71	HG-44827	2		Hex Bolt H.D. 5/16-18" x 3-1/2"
72	HG-43064	4		Hex Lock Nut 5/16-18" 2-Way Plt.
73	HG-44841	11		Hex Bolt 5/16-18" x 1-1/2" Gr. 5 Plt.
74	HG-45089	7		Hex Bolt 5/16-18" x 1
75	HG-44880	1		Differential Washer .050
76	HG-44785	1		Shld. Bolt
77	HG-44786	1		Freewheel Actuating Arm
78	HG-44761	2	S	Oil Seal .625" x 1.0" x .25"
81	HG-43084	1		Hex Bolt 5/16-18" x 1-3/4"
82	HG-44820	3		Hex Bolt 5/16-18" x 4-1/2"
84	HG-50009	1		SAE Port Straight Fitting 7/8"
85	HG-50010	1		SAE Port Straight Fitting 7/16"
87	HG-50011	1		Hose, 8-1/2" Long
88	HG-50012	1		Hose 10-1/2" Long

Ref #	Part Number	Qty	S/P/F	Description
89	HG-50037	1	S	Spin-On Filter
91	HG-BDU-10L-256	1		Transmission
93	17434A	1		Bracket
95	HG-9005110-5600	1		Straight Thread Plug
99	HG-50136	1		Washer 5/16" I.D. x 9/16" O.D.
100	HG-50133	1		Vent Bushing
101	HG-50134	1		Vent
?102	HG-70052	1		Seal Kit